

INSTALLATION INSTRUCTIONS

LED UNDERCABINET BARLIGHTS

WAC LIGHTING

BA-AC08, BA-AC12, BA-AC18, BA-AC24, BA-AC30

CAUTION: TO PREVENT ELECTRICAL SHOCK, ENSURE ELECTRICITY HAS BEEN TURNED OFF AT THE CIRCUIT BREAKER BEFORE BEGINNING.

- Read all instructions before installing.
- System is intended for installation by a licensed electrician in accordance with the National Electrical Code (NEC) and local regulations.
- When handling the fixture, do not apply pressure to the LEDs. Hold the fixture by the base only.

WARNING: All parts must be used as indicated in these instructions. This product is designed for use only with the supplied parts and/or accessories designated for use by WAC Lighting. Substitution of parts or accessories not designated for use with this product by WAC Lighting could result in personal injury or property damage and will void the warranty. Contact an authorized dealer or the manufacturer if any parts are damaged or missing.

AVERTISSEMENT

IMPORTANT : Coupez l'électricité avant TOUTE manipulation.

- Lisez toutes les instructions avant d'installer.
- Système est destiné à être installé par un électricien qualifié en conformité avec le code national de l'électricité et les règlements locaux.
- Accédez au panneau central de disjoncteurs ou de fusibles de votre demeure et placez l'interrupteur principal en position d'arrêt (« OFF »).
- Placez l'interrupteur mural en position d'arrêt (« OFF »).

MISE EN GARDE

- Toutes les pièces doivent être utilisées tel qu'il est indiqué dans ces instructions. Ne remplacez pas les pièces, n'en laissez pas de côté et ne les utilisez pas si elles sont usées ou brisées. Le non-respect de ces instructions peut annuler l'homologation ETL/CETL du luminaire. MISE EN GARDE Ors de la manipulation de l'appareil, ne pas appliquer de pression à la LED, tenir l'appareil par la seule base.

ADVERTENCIA

IMPORTANTE: NUNCA intente hacer trabajos sin desconectar el suministro eléctrico.

- Lea y comprenda todas las instrucciones e ilustraciones por completo antes de proceder con el ensamblaje e instalación de esta lámpara.
- Sistema está diseñado para ser instalado por un electricista calificado, de acuerdo con el código eléctrico nacional y las normas locales.
- Diríjase a la caja de fusibles o a la caja del interruptor de circuito principal en su hogar. Coloque el interruptor de alimentación principal en la posición "OFF" (APAGADO).
- Coloque el interruptor de la pared en la posición "OFF" (APAGADO).

PRECAUCIÓN

- Todas las piezas deben usarse como lo indican estas instrucciones. No reemplace las piezas, no omita piezas durante la instalación ni utilice piezas gastadas o rotas. El incumplimiento de esta indicación podría invalidar la calificación ETL/CETL esta lámpara. PRECAUCIÓN Al manipular el aparato, no aplique presión a los LED, mantenga el aparato en la base sólo.

HARDWARE

A



Mounting Screw
4MPF033501W5/PM/BW
Qty: 2pcs + 1 Extra

B



I-Connector (BA-I)
7TCK061003WT
Qty: 1pc

C



Conduit Fitting
7EAC252703
Qty: 1pc

waclighting.com
Phone (800) 526.2588
Fax (800) 526.2585

Headquarters/Eastern Distribution Center
44 Harbor Park Drive
Port Washington, NY 11050

Central Distribution Center
1600 Distribution Ct
Lithia Springs, GA 30122

Western Distribution Center
1750 Archibald Avenue
Ontario, CA 91760

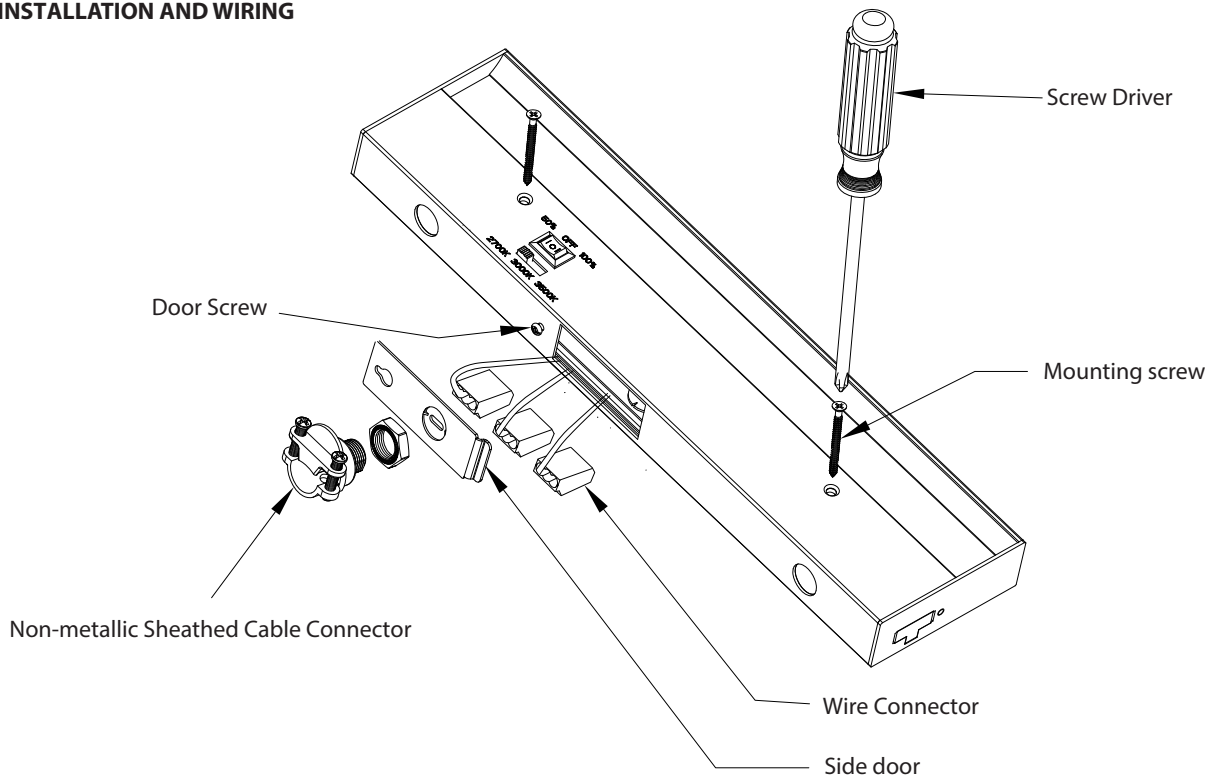


INSTALLATION INSTRUCTIONS LED UNDERCABINET BARLIGHTS

WAC LIGHTING

BA-AC08, BA-AC12, BA-AC18, BA-AC24, BA-AC30

FIG.1 INSTALLATION AND WIRING

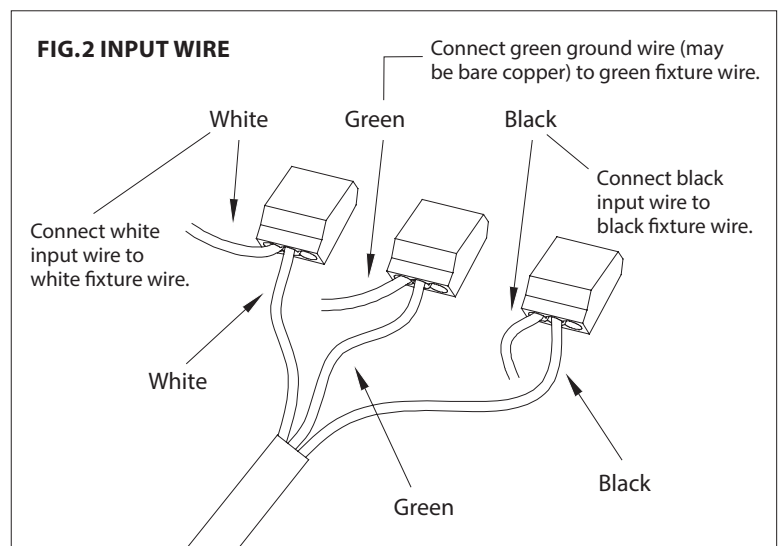


INSTALLATION (FIG.1)

1. Pry open the knock out hole on the Side Door to install the input wires.
2. Unscrew Door Screw and remove the Side Door from the fixture by sliding it to the side.
3. Install the Non-metallic Sheathed Cable into the side door.
4. Push 120V input wires through the Non-metallic Sheathed Cable.

INSTALLATION AND WIRING (FIG.1,FIG.2)

1. Strip 3/8" insulation off 120V input wires. Connect input wires to LED light bars using convenient Wire Connectors provided with LED light bars. Push 120V input wires firmly into Wire Connectors for secure connections.
2. Tuck wires connections neatly into LED light bar.
3. Install the side door onto fixture and tighten Door Screw.
4. Take out two Mounting Screws from the package.
5. Screw the Mounting Screws into the fixture.
6. Place fixture in appropriate place and tighten Mounting Screws.



waclighting.com
Phone (800) 526.2588
Fax (800) 526.2585

Headquarters/Eastern Distribution Center
44 Harbor Park Drive
Port Washington, NY 11050

Central Distribution Center
1600 Distribution Ct
Lithia Springs, GA 30122

Western Distribution Center
1750 Archibald Avenue
Ontario, CA 91760



INSTALLATION INSTRUCTIONS

LED UNDERCABINET BARLIGHTS

BA-AC08, BA-AC12, BA-AC18, BA-AC24, BA-AC30

WAC LIGHTING

WIRING MULTIPLE UNITS

In addition to hard wiring multiple fixtures, components are provided to allow fixtures to be linked through surface wiring.

A. END TO END CONNECTION WITH I-CONNECTOR (FIG.3)

BA-I (One included with each light bar):

The I-Connector allows two fixtures to be connected end to end. I-Connector has one square and two round pins to ensure the correct orientation.

NOTE: The total number of all connected fixtures should not exceed 6 pieces for BA-I.

1. Pry out the Plastic Covers concealing the female connection ports at the end of the fixtures.
2. Insert one end of the "I" connector into the first fixture. Slide the second fixture into the first one.
3. Secure the position of the second fixture by using two mounting screws.

B. CONNECTION WITH INTERCONNECT CABLE (FIG.4)

BA-IC12, BA-IC24, BA-IC36 (Sold Separately)

A jumper wire allows multiple units to be linked through surface wiring. The jumper wire has one square and two round pins to ensure the correct orientation.

NOTE: The total number of all connected fixtures should not exceed 4 pieces for BA-IC12, BA-IC24. 3 pieces for BA-IC36

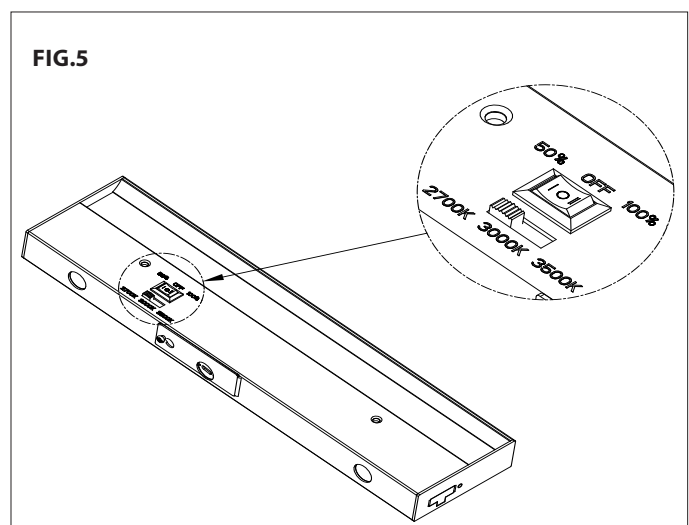
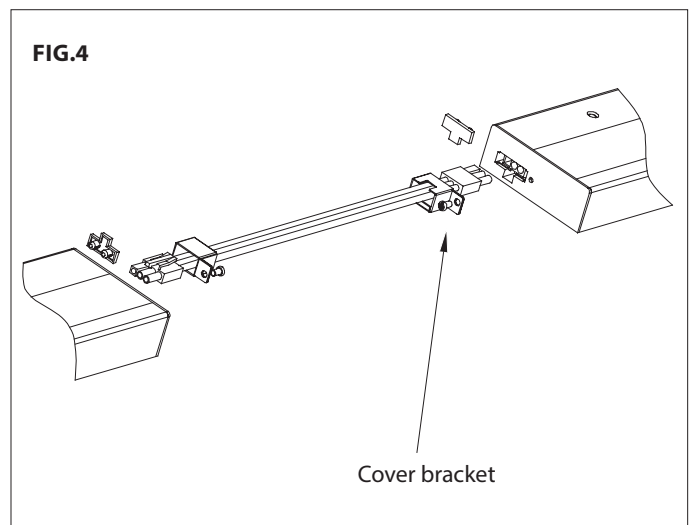
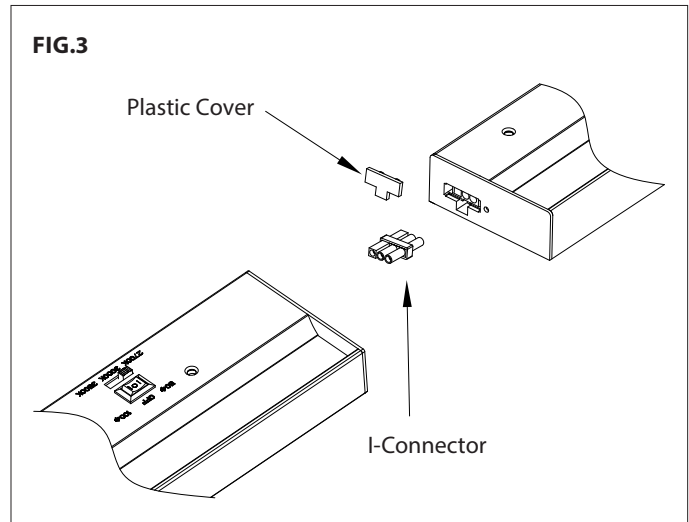
1. Pry out the Plastic Covers concealing the female connection ports at the end of the fixtures.
2. Jumper wires have metal strain relief cover brackets. Slide the cover bracket over the connector.
3. Insert the ends of the Jumper Wire into each fixture.
4. Position the bracket so that the hole in the bracket aligns with the hole in the fixture. Use the screw supplied to secure the cover bracket to the fixture.
5. Wrap excess wires using wire ties if necessary.

CCT SWITCHING OPTION (FIG.5)

Fixture's CCT can be set to 2700K or 3000K or 3500K by moving the sliding switch on the fixture as shown.

LIGHT LEVEL OPTION (FIG. 5)

Fixture's light output can be set to 100%, 50% or off by adjusting the rocker switch on the fixture as shown.



waclighting.com
Phone (800) 526.2588
Fax (800) 526.2585

Headquarters/Eastern Distribution Center
44 Harbor Park Drive
Port Washington, NY 11050

Central Distribution Center
1600 Distribution Ct
Lithia Springs, GA 30122



Western Distribution Center
1750 Archibald Avenue
Ontario, CA 91760




本页仅用于版本控制，请勿印刷！

序号	变更说明	变更人	变更日期
1			
2			
3			
4			
5			



规格: 80克进口书写纸 A4, 双面印刷, 短边对折两下
审核:  10/29/2018 标准化:  10/29/2018

图号: BAAC08-13 A
批准:  10/29/2018