

OCULARC 3.5 Dim To Warm

New Construction and Remodel Housing

WAC LIGHTING

SPECIFICATIONS

Construction: 20 Gauge cold rolled steel
Dimming: 100% - 5% 0-10V
 100% - 1% ELV, TRIAC
Input: 120 - 277V AC
Cut out: New Construction: 4¼", Remodel: 3⅞" (Round)
 New Construction: 4¼"x4¼", Remodel: 3⅞"x3⅞" (Square)
Ceiling Thickness: ½" - 1"
Mounting: Retention clips firmly hold light engine to housing
Standard: UL&cUL
Warranty: 5 year WAC Lighting product warranty

Fixture Type:

Catalog Number:

Project:

Location:

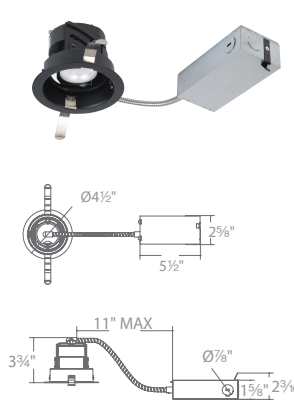
Round New Construction



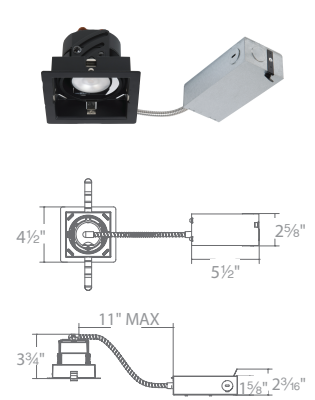
Square New Construction



Round Remodel Trim

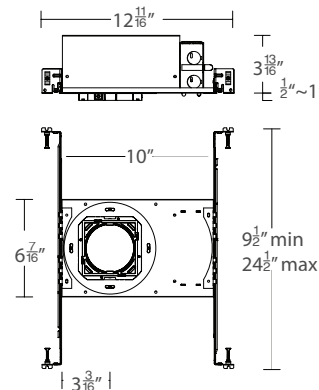
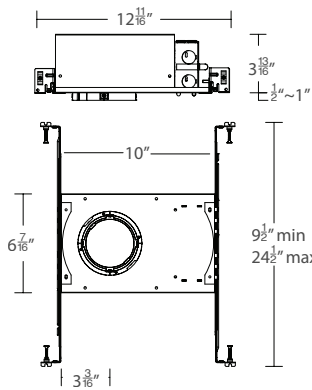


Square Remodel Trim

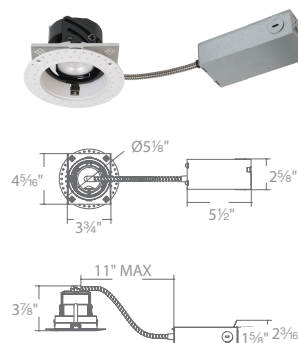


• Trimless: Die-cast spackle frame included

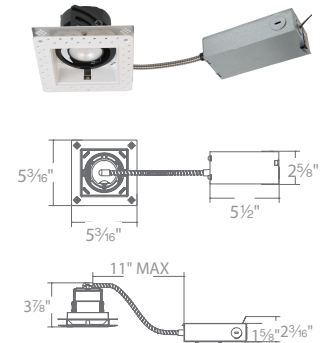
• Trimless: Die-cast spackle frame included



Round Remodel Trimless



Square Remodel Trimless



HOUSINGS

	Model	Rating	Power	Color Temp
Round	R3CRN Round New Construction	IC Airtight	13 W	WD 3000K-1800K
	R3CRN Round New Construction	Non IC, Airtight		
	R3CRR Round Remodel Trim	Non IC	16 W	
	R3CRLL Round Remodel Trimless			
Square	R3CSN Square New Construction	IC Airtight	13 W	WD 3000K-1800K
	R3CSN Square New Construction	Non IC, Airtight		
	R3CSR Square Remodel Trim	Non IC	16 W	
	R3CSRL Square Remodel Trimless			
	Replacement Film	D-R3C-WD-FILM Replacement Film Package (Order Separately)		

R3C - -WD

Example: R3CRN-13-WD

wacighting.com
 Phone (800) 526.2588
 Fax (800) 526.2585

Headquarters/Eastern Distribution Center
 44 Harbor Park Drive
 Port Washington, NY 11050

Central Distribution Center
 1600 Distribution Ct
 Lithia Springs, GA 30122

Western Distribution Center
 1750 Archibald Avenue
 Ontario, CA 91760