

Fixture Type: \_\_\_\_\_

Catalog Number: \_\_\_\_\_

Project: \_\_\_\_\_

Location: \_\_\_\_\_

## Lotos

### Downlight 3000K

Model	Beam	Color Temp & CRI	Lumens	CBCP	Finish
R4ERDR	W 100°	930 3000K - 90	550		WT White
R6ERDR		930 3000K - 90	960		

Example: **R4ERDR-W930-WT**

#### DESCRIPTION

Shallow profile LED that is designed to fit in in furred down ceilings without sacrificing lumen output. Available in 4" or 6" recessed or 4" adjustable LED recessed.

#### FEATURES

- Multiple LED array for uniform illumination
- Ultra-slim profile
- Driver included
- 5 year warranty

#### SPECIFICATIONS

<b>Construction:</b>	Steel with translucent acrylic diffuser
<b>Power:</b>	14W, 9W
<b>Input:</b>	120 -277 VAC, 50/60Hz
<b>Dimming:</b>	TRIAC: 100-5%, ELV: 100-5%
<b>Light Source:</b>	Integrated LED
<b>Lens:</b>	Translucent acrylic diffuser
<b>Rated Life:</b>	50000 Hours
<b>Mounting:</b>	Heavy gauge retention clips secures fixture to ceiling
<b>Cut Out:</b>	6 1/4", 4 1/4"
<b>Finish:</b>	Electrostatically powder coated White
<b>Ceiling Thickness:</b>	1/2" - 1"
<b>Operating Temp:</b>	-4°F to 104°F (-20°C to 40°C)
<b>Standards:</b>	ETL, cETL, Wet Location Listed, Energy Star 2.0, Title 24 JA8-2016 Compliant, IC, Airtight

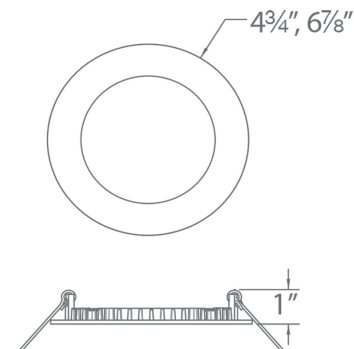


#### FINISHES



White

#### LINE DRAWING



R4ERDR