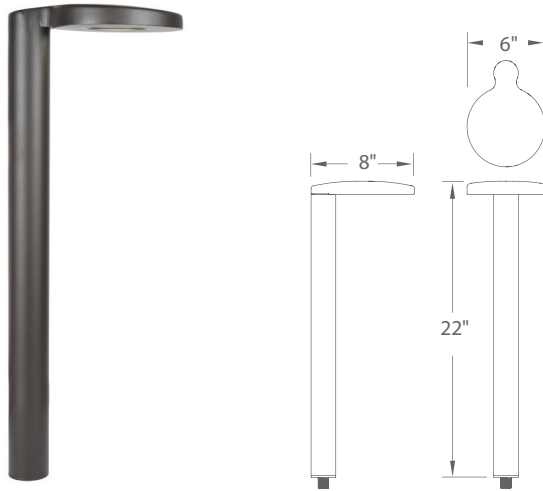


ROUND PATH LIGHT

6031

WAC

LANDSCAPE LIGHTING



Fixture Type:

Catalog Number:

Project: _____

Location: _____

PRODUCT DESCRIPTION

Sturdy side mount design works well in applications where directional illumination is desired

FEATURES

- IP66 rated, Protected against powerful water jets
- Factory sealed water tight fixtures
- Translucent lens provides uniform light distribution
- Solid diecast corrosion resistant aluminum alloy
- Recommended spacing for installation: 8 to 10ft
- Mounting stake, 6 foot lead wire, and direct burial gel filled wire nuts are included
- Maintains constant lumen output against voltage drop
- UL 1838 Listed

SPECIFICATIONS

Input: 9-15VAC (Transformer is required)
Power: 2.9W / 4.7VA
Brightness: 125 lm
CRI: 90+
Rated Life: 60,000 hours

ORDERING NUMBER

		Color Temp	Finish
6031	<i>Round Path</i>	27 2700K 30 3000K	BZ <i>Bronze on Aluminum</i>

6031-___BZ

Example: **6031-30BZ**

ACCESSORIES

Surface Mount Flange/Stake



Includes three 7 inch threaded stainless steel stabilizing pins for ground mounting or surface mounts with four screws or over a junction box

5000-SCP-BZ
Bronze on Aluminum

Additional Mounting Stake



9000-ST9-BK
Durable PVC stake

waclighting.com
Phone (800) 526.2588
Fax (800) 526.2585

Headquarters/Eastern Distribution Center
44 Harbor Park Drive
Port Washington, NY 11050

Central Distribution Center
1600 Distribution Ct
Lithia Springs, GA 30122

Western Distribution Center
1750 Archibald Avenue
Ontario, CA 91760

ROUND PATH LIGHT

6031

WAC

LANDSCAPE LIGHTING

Surface Mount Flange/Stake



Includes three 7 inch threaded stainless steel stabilizing pins for ground mounting or surface mounts with four screws or over a junction box

5000-SCP-BZ
Bronze on Aluminum

Additional Mounting Stake



9000-ST9-BK
Durable PVC stake

Magnetic Transformers

Stainless Steel, 12-15V output, IP65 rated, UL 1838 listed
See transformer spec sheet for details and its accessories

9075-TRN-SS
75W Max

9150-TRN-SS
150W Max

9300-TRN-SS
300W Max

9600-TRN-SS
600W Max



TESTED MAGNETIC LOW VOLTAGE (MLV) DIMMERS

Luminaire	Dimmer					
	Manufacturer	Family	Model	Power Rating	Range*	Note
6031	Lutron	Diva	DVLV-600	600W	33% - 100%	Output maxes at 50% dimming level
		Skylark	SLV-600P	600W	28% - 100%	Output maxes at 50% dimming level
		Skylark	S-10P	1000W		Not recommended

*Low end of this range is determined by output current which may not directly translate to the perceived light output

WAC Lighting fixtures are compatible with a variety of dimmers. For your convenience we have included a compatibility chart showing dimmers which have been tested with our products. The recommended list below is based upon testing conducted in a lab, and the results can vary in certain field applications due to a number of factors. Exclusion from the list does not imply incompatibility, just that it has not been tested by WAC Lighting. Please reference the dimmer manufacturer's instructions for installation, or contact a WAC lighting professional at 800-526-2588.

waclighting.com
Phone (800) 526.2588
Fax (800) 526.2585

Headquarters/Eastern Distribution Center
44 Harbor Park Drive
Port Washington, NY 11050

Central Distribution Center
1600 Distribution Ct
Lithia Springs, GA 30122

Western Distribution Center
1750 Archibald Avenue
Ontario, CA 91760