

INSTALLATION INSTRUCTION

Hawk - Endurance Wall Pack

WP-LED219, WP-LED227

WAC LIGHTING
Responsible Lighting®

WARNING

IMPORTANT: NEVER attempt to do any work without shutting off the electricity.

1. Read all instructions before installing.
2. System is intended for installation by a qualified electrician in accordance with the National Electrical Code and local regulations.
3. Place the wall switch in the "OFF" position.
4. Go to the main fuse box, or circuit breaker. Unscrew the fuse(s) or switch "OFF" the circuit breaker switch(es) that control the power to the space that you are working on.

CAUTION

- All parts must be used as indicated in these instructions. Do not substitute any parts, leave parts out, or use any parts that are worn out or broken. Failure to follow this instruction may invalidate the ETL/cETL listing of this fixture.

AVERTISSEMENT

IMPORTANT : Coupez l'électricité avant TOUTE manipulation.

- Lisez toutes les instructions avant d'installer.
- Système est destiné à être installé par un électricien qualifié en conformité avec le code national de l'électricité et les règlements locaux.
- Placez l'interrupteur mural en position d'arrêt (« OFF »).
- Toujours mettre le fusible ou le disjoncteur en position arrêt dans la pièce ou des travaux électriques sont prévus

MISE EN GARDE

- Toutes les pièces doivent être utilisées tel qu'il est indiqué dans ces instructions. Ne remplacez pas les pièces, n'en laissez pas de côté et ne les utilisez pas si elles sont usées ou brisées. Le non-respect de ces instructions peut annuler l'homologation ETL/cETL du luminaire.

ADVERTENCIA

IMPORTANTE: NUNCA intente hacer trabajos sin desconectar el suministro eléctrico.

- Lea y comprenda todas las instrucciones e ilustraciones por completo antes de proceder con el ensamblaje e instalación de esta lámpara.
- Sistema está diseñado para ser instalado por un electricista calificado, de acuerdo con el código eléctrico nacional y las normas locales.
- Coloque el interruptor de la pared en la posición "OFF" (APAGADO).
- Diríjase a la caja de fusibles o a la caja del interruptor de circuito principal en su hogar. Coloque el interruptor de alimentación principal en la posición "OFF" (APAGADO).

PRECAUCIÓN

- Todas las piezas deben usarse como lo indican estas instrucciones. No reemplace las piezas, no omita piezas durante la instalación ni utilice piezas gastadas o rotas. El incumplimiento de esta indicación podría invalidar la calificación ETL/cETL esta lámpara.

A1



Wire connector
Qty: 5pcs

B1



Junction box screw
Qty: 2pcs + 1 extra

B2



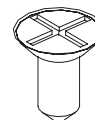
Bottom Cap screw
Qty: 2pcs + 1 extra

C1



Junction Box Cover screw
Qty: 2pcs + 1 extra

C2



Housing Assembly screw
Qty: 2pcs + 1 extra

D1



Housing Assembly
Rubber
Qty: 2pcs + 1 extra

WAC Lighting

www.waclighting.com

Phone (800) 526.2588 • Fax (800) 526.2585

Headquarters/Eastern Distribution Center

44 Harbor Park Drive • Port Washington, NY 11050

Phone (516) 515.5000 • Fax (516) 515.5050

Western Distribution Center

1750 Archibald Ave • Ontario, CA 91761

Phone (800) 526.2588 • Fax (800) 526.2585



FOR RECESSED JUNCTION BOX

STEP 1:

- Mount back plate and gasket to existing junction box with junction box screws (B1) loosely, then level using built-in level and tighten the screws.

STEP 2:

- Hang Fixture housing onto Back Plate using hanging cable.
- Connect the electrical wires as shown in **Fig. 1**, making sure that all wire connectors (A1) are secured. If your outlet box has a green or bare copper ground wire, connect the fixture's ground wire to it. After wires are connected, tuck them carefully inside the junction box.

Fig.1 Wiring



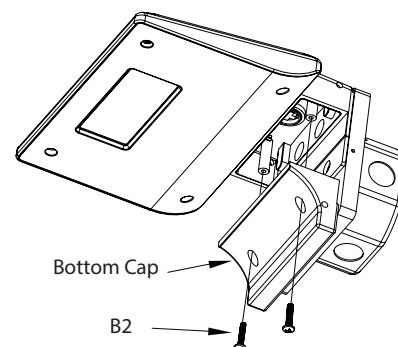
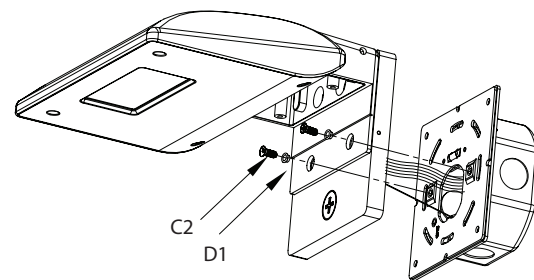
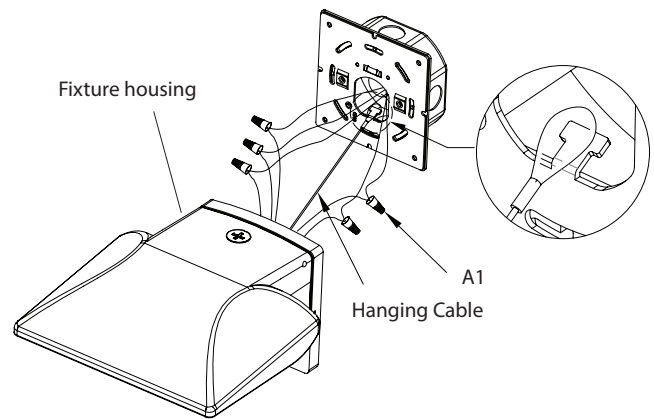
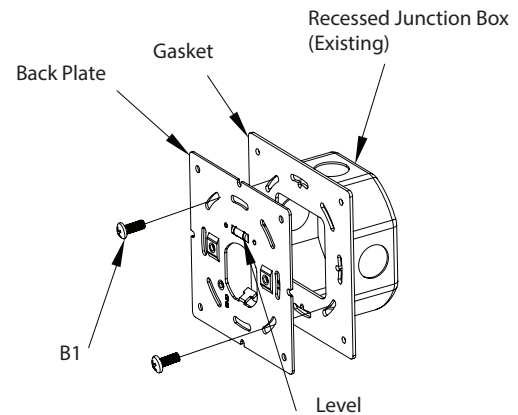
Fixture Wires	House Wires
Black or Smooth	Black (Hot)
White or Ribbed	White (Neutral)
Bare wire (Ground)	Green or Bare Copper (Ground)
Fixture Wires Brown and Blue (Use with 0 - 10V dimmers)	

STEP 3:

- Mount fixture housing onto back plate with housing assembly screws (C2) and housing assembly rubber (D1).

STEP 4:

- Mount bottom cap onto fixture housing with bottom cap screws (B2).
- Tighten all conduit caps with thread seal tape.



FOR EXPOSED JUNCTION BOX

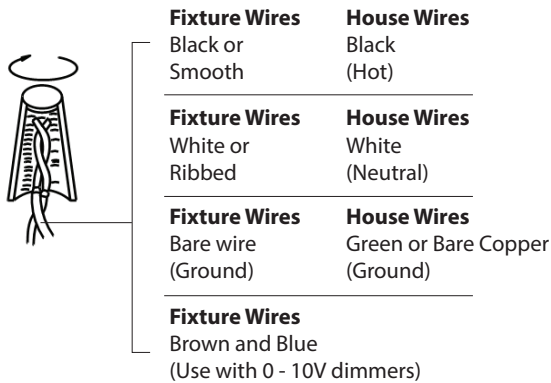
STEP 1:

- Mount back plate and gasket to exposed junction box with junction box screws (B1) loosely, then level using built-in level and tighten the screws.

STEP 2:

- Mount junction box cover onto fixture housing with junction box cover screws (C1).
- Remove conduit caps as needed and hang the fixture housing onto back plate with hanging cable.
- Connect the electrical wires as shown in **Fig. 1**, making sure that all wire connectors (A1) are secured. If your outlet box has a green or bare copper ground wire, connect the fixture's ground wire to it. After wires are connected, tuck them carefully inside the junction box.

Fig.1 Wiring

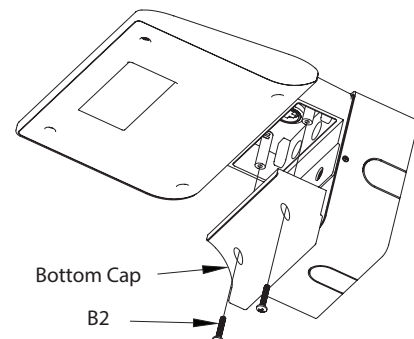
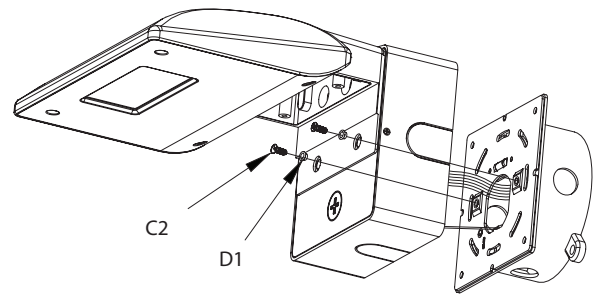
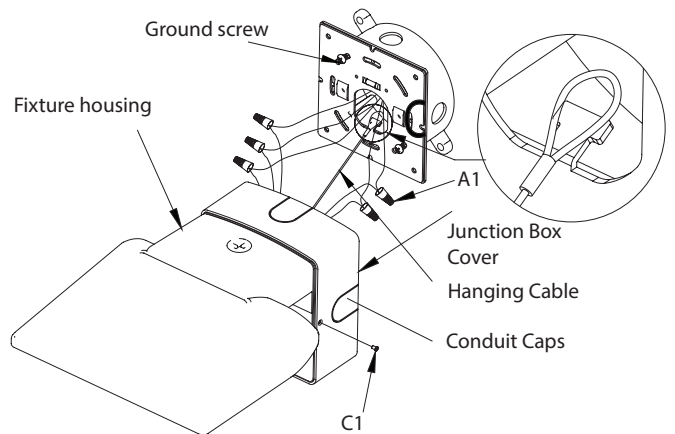
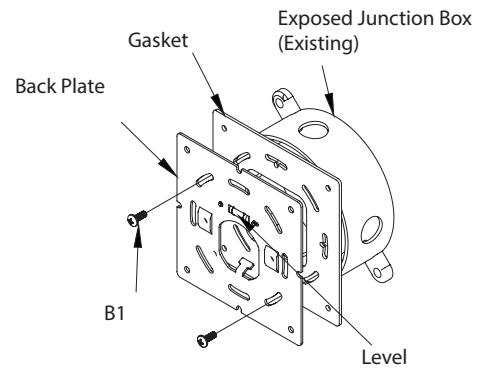


STEP 3:

- Mount fixture housing onto back plate with housing assembly screws (C2) and housing assembly rubber (D1).

STEP 4:

- Mount bottom cap onto fixture housing with bottom cap screws (B2).
- Tighten all conduit caps with thread seal tape.



INSTALLATION INSTRUCTION
Hawk - Endurance Wall Pack
WP-LED219, WP-LED227

COMPLETING THE INSTALLATION:

To prevent moisture from entering the outlet box and causing a short, use caulking (i.e. silicone sealant) to outline the outside of junction box where it meets the wall while leaving the bottom side unsealed to allow moisture to escape.

Note: Hawk is suitable for wet location installations in all mounting orientations. When used with a motion sensor attached, Hawk should be properly sealed at the canopy with a bead of silicone to ensure wet location motion sensor functionality in the indirect and sidelight orientations.

COMPATIBLE DIMMERS

BRAND	MODEL NUMBER	TYPE
Lutron	Diva DVELV-300P	ELV 120V
Lutron	SkyLark SELV-300P	ELV 120V
Lutron	RRD-6NA (RadioRA/RadioRA2)	ELV 120V
Lutron	PHPM-PA-DV/120 (Grafik-Eye, HomeWorks)	ELV 120V
Leviton	Vizia VPE06	ELV 120V
Legrand	Adorne ADTP703TUM	ELV 120V
Lutron	Diva DVTV, DVSTV	0-10V
Lutron	Nova NVTV, NVSTV	0-10V
Leviton	Renoir II AWSMT-7DW	0-10V

Please visit our website or contact a WAC Lighting professional for a complete list of compatible dimmers and sensors.