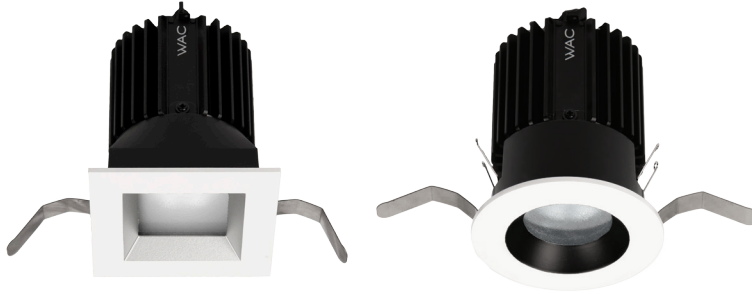


R2RD1T, R2SD1T

2" Volta - Shallow Regressed Downlight Trim

WAC LIGHTING

Responsible Lighting®



Fixture Type:

Catalog Number:

Project: _____

Location: _____

PRODUCT DESCRIPTION

Volta LED downlight series represents an innovation in design and technology for architectural lighting. This high lumen and adaptable family of fixtures with a comprehensive set of round and square fittings, affords a sustainable solution for commercial, corporate, and upscale residential applications.

FEATURES

- Increased field angle for reduced scalloping
- Low ceiling and close-to-wall applications
- Integral patterned tempered trim lens included standard
- Compatible with a wide range of accessories
- 5 year WAC Lighting product warranty

SPECIFICATIONS

Construction: Durable die-cast self-flanged aluminum construction

Input: Universal 120 - 277V AC 50/60 Hz

Dimming: Electronic Low Voltage (ELV): 100%-5% (120V only)
0-10V: 100%-0% (120 - 277V)

Light Source: High output 3-step Mac Adam Ellipse COB
Rated life of 50,000 hours at L70

Mounting: Heavy gauge retention clips support trim firmly. Safety cabling standard.
Ceiling cut out Round Trimmed: Ø 3 9/16" Invisible Trim: Ø 4 1/4"
Ceiling cut out Square Trimmed: 3 9/16" x 3 9/16" Invisible Trim: 4 1/4" x 4 1/4"
Accommodates 1/2" - 1 1/2" ceiling thickness

Finish: Electrostatically powder coated White, Black. Enamel coated Haze. Plated and brushed Copper Bronze.

Standards: ETL & cETL Wet location Listed

Model	Beam	Lumens		Color Temp	CRI	Finishes	Reflector/Trim
		Reference Output*	CBCP				
<p>R2RD1T Round Trim R2SD1T Square Trim</p>	S 12°	Round	395	5910	827 2700K 85	BK Black BKWT Black/White CB Copper Bronze HZ Haze HZWT Haze/White WT White	
		Square	420	6085			830 3000K 85
	N 25°	Round	1255	5380	835 3500K 85		
		Square	1460	6145	840 4000K 85		
	F 40°	Round	1270	3085	927 2700K 90		
		Square	1480	3315			930 3000K 90
	W 60°	Round	905	1020	930 3000K 90		
		Square	1075	1035			

R2_D1T-_____ - _____

Example: **R2RD1T-S827-HZWT**

*Reference output shows **830**(85CRI 3000K) trim with **22** housing. Use multiplier table below to determine the output for other combinations.

Multiplier	TRIM					
	827	927	830	930	835	840
HOUSING 22	0.95	0.81	1.00	0.86	1.05	1.07
15	0.66	0.56	0.69	0.59	0.72	0.74

Example: **R2SD1T-N840-WT** with **15** housing: 1460 lm (Reference Output) x 0.74 (Multiplier) = 1080 lm

6145 CBCP (Reference Output) x 0.74 (Multiplier) = 4547 CBCP

Please see next page for housing units(required)

wacighting.com
Phone (800) 526.2588
Fax (800) 526.2585

Headquarters/Eastern Distribution Center
44 Harbor Park Drive
Port Washington, NY 11050

Central Distribution Center
1600 Distribution Ct
Lithia Springs, GA 30122

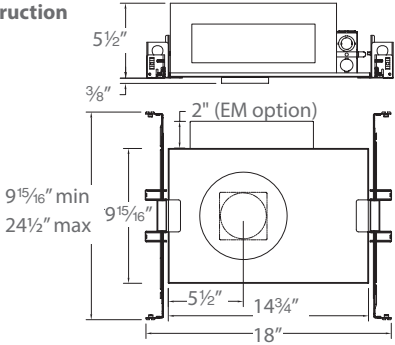
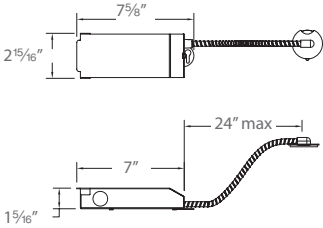
Western Distribution Center
1750 Archibald Avenue
Ontario, CA 91760

R2RD1T, R2SD1T

2" Volta - Shallow Regressed Downlight Trim

WAC LIGHTING

Responsible Lighting®

HOUSING (Required)	Model	Trim	Power	Emergency Backup
New Construction Airtight IC 	R2RN <i>Round</i> R2RC <i>Round Chicago Plenum</i> R2SN <i>Square</i> R2SC <i>Square Chicago Plenum</i>	T Trim L Invisible Trim	15 15W IC 22 22W IC	EM Optional
Remodel Non-IC 	R2BR	T Trim	15 15W Non-IC 22 22W Non-IC	N/A

R2 _____ - _____

Example: **R2RNT-15** or **R2RNT-15EM** (with Emergency backup battery)

WOOD AND METAL CEILING ADAPTERS

Round

R2R-ADP1 1/2" to 1" ceiling thickness

R2R-ADP2 1" to 1 1/2" ceiling thickness

Square

R2S-ADP1 1/2" to 1" ceiling thickness

R2S-ADP2 1" to 1 1/2" ceiling thickness

FIELD CHANGEABLE GLARE CONTROL AND OPTIC SYSTEM

Accessory holder
Holds up to two lenses or one lens and one glare control

Optical cartridge
Allows tool-less exchange of reflectors



Trim

Honeycomb Louver

Color Lens

Reflector

For narrow flood, flood, and wide flood (Spot distribution features dedicated module)

Light engine

ACCESSORY HOLDER sold separately

LENS-16-HLD Required for use with any lens or accessory

GLARE CONTROL ACCESSORIES

LENS-16 **HCM** Honeycomb Louver
CRL Cross Louver

INTERCHANGEABLE REFLECTORS

REF-R2-N Narrow Flood beam
REF-R2-F Flood beam
REF-R2-W Wide beam

LENS ACCESSORIES

LENS-16 **AMB** Amber
RED Red
FR Frosted
SPR Spread
BEL Beam Elongating

wacighting.com
Phone (800) 526.2588
Fax (800) 526.2585

Headquarters/Eastern Distribution Center
44 Harbor Park Drive
Port Washington, NY 11050

Central Distribution Center
1600 Distribution Ct
Lithia Springs, GA 30122

Western Distribution Center
1750 Archibald Avenue
Ontario, CA 91760