

AETHER - Trimless WallWash

R3ARWL, R3ASWL

WAC LIGHTING

Responsible Lighting®



Fixture Type:

Catalog Number:

Project:

Location:

PRODUCT DESCRIPTION

Shallow housing that is designed to fit in tight plenum spaces without sacrificing lumen output.

FEATURES

- IC-rated airtight housing with available Chicago plenum version.
- Designed to fit in tight plenum
- 3.5" trim aperture, 3.5" housing height
- Universal input voltage (120V-277V)
- 5 year WAC Lighting product warranty
- Title 24 Compliant

SPECIFICATIONS

Construction: Die-cast aluminum trim with extruded aluminum heat sink

Dimming: 100% - 0% with 0-10V dimmer (120V - 277V)

100% - 5% with Electronic Low Voltage (ELV) dimmer (120V only)

Input: 120V-277V AC

Power: 15.5W, power factor 0.98

Mounting: Retention clips firmly hold trim to housing.

Finish: Powder coated White, Black. Enamel coated Haze.

Standards: ETL & cETL Damp Location Listed

Ceiling thickness: ½" - 1½"

TRIM (SEE NEXT PAGE FOR HOUSING)

TRIM (SEE NEXT PAGE FOR HOUSING)	Beam	Color Temp	CRI	Lumen	Finish	Interior/Trim		
R3ARWL <i>Round</i> 	A <i>Asymmetrical</i>	827 2700K 85 860	HZ	<i>Haze</i>				
		927 2700K 90 720			WT	<i>White</i>		
		830 3000K 85 900					BK	<i>Black</i>
		930 3000K 90 745						
		835 3500K 85 925						
		840 4000K 85 935						
R3ASWL <i>Square</i> 	A <i>Asymmetrical</i>	827 2700K 85 830	HZ	<i>Haze</i>				
		927 2700K 90 690			WT	<i>White</i>		
		830 3000K 85 860					BK	<i>Black</i>
		930 3000K 90 715						
		835 3500K 85 855						
		840 4000K 85 900						

R3A_WL- _____ - _____
 Example: **R3ARWL-N930-HZ**

waclighting.com
 Phone (800) 526.2588
 Fax (800) 526.2585

Headquarters/Eastern Distribution Center
 44 Harbor Park Drive
 Port Washington, NY 11050

Central Distribution Center
 1600 Distribution Ct
 Lithia Springs, GA 30122

Western Distribution Center
 1750 Archibald Avenue
 Ontario, CA 91760

AETHER - Housing

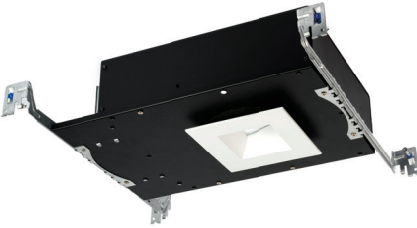
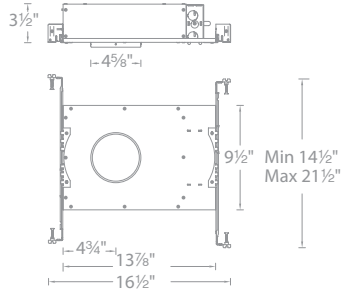
HR-3LED-H17A

WAC LIGHTING

Responsible Lighting®

HOUSING

Model

 <p><i>Shown with open square white trim</i></p>		HR-3LED-H17A	<i>New Construction IC-rated, Airtight</i>
		HR-3LED-H17AC	<i>New Construction IC-rated, Airtight Chicago Plenum</i>

HR-3LED-H17 _____

Example: **HR-3LED-H17A**

waclighting.com
Phone (800) 526.2588
Fax (800) 526.2585

Headquarters/Eastern Distribution Center
44 Harbor Park Drive
Port Washington, NY 11050

Central Distribution Center
1600 Distribution Ct
Lithia Springs, GA 30122

Western Distribution Center
1750 Archibald Avenue
Ontario, CA 91760