

INSTALLATION INSTRUCTION  
**SQUARE**  
 FM-07SQ, FM-11SQ

WAC LIGHTING  
 Responsible Lighting®



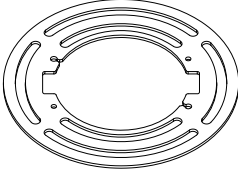
**WARNING**

IMPORTANT: NEVER attempt any work without shutting off the electricity.

- Read all instructions before installing.
- System is intended for installation by a qualified electrician in accordance with the National Electrical Code and local regulations.
- Go to the main fuse box, or circuit breaker. Place the main power switch in the "OFF" position and unscrew the fuse(s) or switch "OFF" the circuit breaker switch(es) that control the power to the fixture or room that you are working on.
- Place the wall switch in the "OFF" position.
- Supply conductors (Power Wires) Connecting the fixture must be rated minimum 90°C. If uncertain, consult an electrician.

**CAUTIONS**

- These luminaires (fixtures) are designed to meet the latest NEC requirements and are listed in full compliance with UL 1598.
- Before attempting installation, check your local electrical code, as it sets the wiring standards for your locality.

INCLUDED ACCESSORIES BAG		
	Wire Connector Qty: 3 pcs P3	
		Junction Box Screw Qty: 2 pcs #8-32, * 3/4" Stainless Steel
		
		Mounting Plate Qty: 1 pc

**INSTALLATION FOR FM-07SQ AND FM-11SQ**

Uses 3" junction box, 4" junction box or a combination 3/0-4/0 electrical box.

1. Install the provided mounting plate to the junction box using the junction box screws provided.  
**Note:** Carefully align the slots on the mounting plate with the direction you want your fixture to be in to prevent uneven installation.
2. Provide electrical service according to the "National Electrical Code" or your local electrical code to the outlet box.
3. Clip the retention cable into the retention cable slot on the mounting plate to assist with wiring.
4. Connect supply wires to fixture wires and insulate with proper wire nuts:  
 Connect incoming ground wire to mounting plate ground wire (green or bare).  
 Connect incoming common wire to fixture common (white).  
 Connect incoming hot wire to fixture black wire.
5. Raise the fixture to the junction box, guide the spring clips into the slots in the mounting plate and press the front of the fixture firmly at the clip locations to lock the fixture in place.  
**Note:** To ensure an easier installation, press one side of the fixture in first until you hear a click, then repeat with the other side.

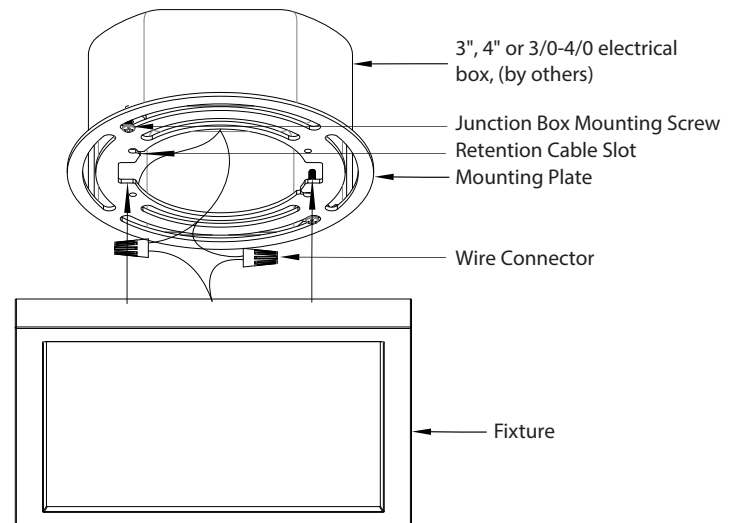


Fig. 1

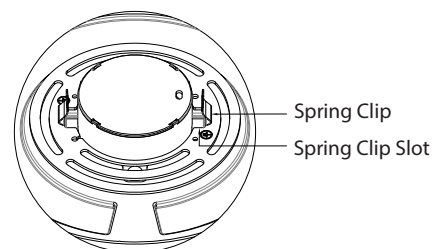


Fig. 2 (back of the fixture once clipped into the mounting plate)

wacighting.com  
 Phone (800) 526.2588  
 Fax (800) 526.2585

Headquarters/Eastern Distribution Center  
 44 Harbor Park Drive  
 Port Washington, NY 11050

Central Distribution Center  
 1600 Distribution Ct  
 Lithia Springs, GA 30122

Western Distribution Center  
 1750 Archibald Avenue  
 Ontario, CA 91760