

INSTALLATION INSTRUCTION

LED Monopoint

MO-4023

WAC LIGHTING

Responsible Lighting®

SAFETY INSTRUCTION

IMPORTANT: NEVER attempt any work without shutting off the electricity.

- Read all instructions before installing.
- System is intended for installation by a qualified electrician in accordance with the National Electrical Code and local regulations.
- Go to the main fuse box, or circuit breaker. Place the main power switch in the "OFF" position and unscrew the fuse(s) or switch "OFF" the circuit breaker switch(es) that control the power to the fixture or room that you are working on.
- Place the wall switch in the "OFF" position.

CAUTION

- All parts must be used as indicated in these instructions. Do not substitute any parts, leave parts out, or use any parts that are worn out or broken. Failure to follow this instruction could invalidate the safety listing of this fixture.

AVERTISSEMENT

IMPORTANT : Coupez l'électricité avant TOUTE manipulation.

- Lisez toutes les instructions avant d'installer.
- Système est destiné à être installé par un électricien qualifié en conformité avec le code national de l'électricité et les règlements locaux.
- Accédez au panneau central de disjoncteurs ou de fusibles de votre demeure et placez l'interrupteur principal en position d'arrêt (« OFF »).
- Placez l'interrupteur mural en position d'arrêt (« OFF »).

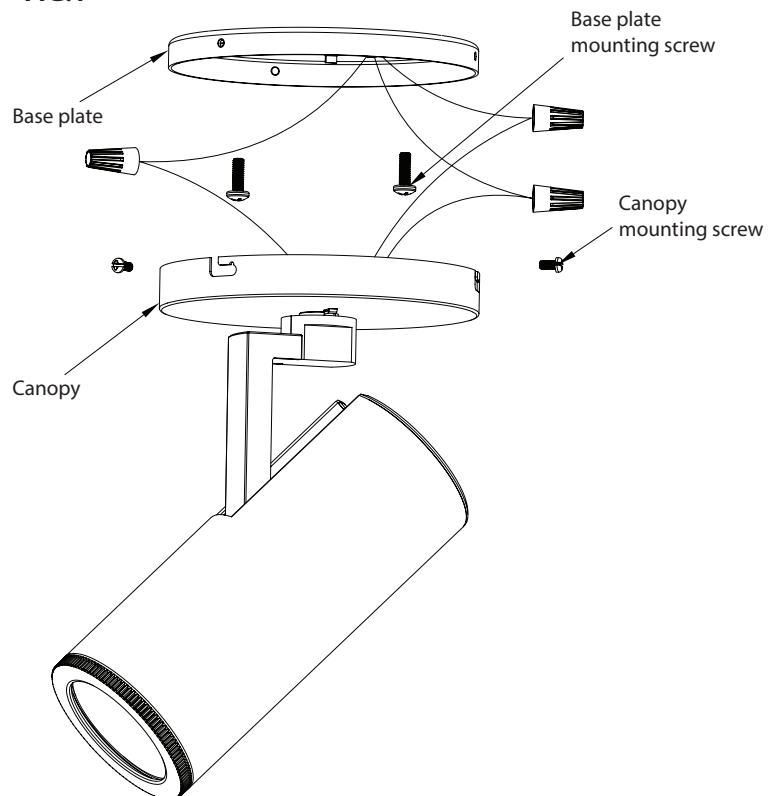
MISE EN GARDE

- Toutes les pièces doivent être utilisées tel qu'il est indiqué dans ces instructions. Ne remplacez pas les pièces, n'en laissez pas de côté et ne les utilisez pas si elles sont usées ou brisées. Le non-respect de ces instructions peut annuler l'homologation safety du luminaire.

INSTALLING FIXTURE: (Fig.1)

1. Loosen the three canopy screws, twist and separate the canopy cover from the base plate.
(keep screws on base plate)
2. Remove a knock out from the base plate.
Install appropriate wire connector
3. Attach the base plate to the surface using slotted holes for mounting screws (supplied).
4. Connect fixture wires to 120V AC power wire, with wire nuts (supplied). Dimmable with compatible electronic low voltage (ELV) dimmer.
5. Connect ground wire to the green wire from fixture.
6. Mount the canopy to the base plate by twisting key holes over three screws in base plate.
7. Tighten screws to secure canopy.
8. After the light is on, rotate the luminaire body horizontally or vertically to aim properly.

FIG.1



Note: All parts must be used as indicated in these instructions. Do not substitute any parts, leave parts out, or use any parts that are worn out or broken. Failure to follow this instruction could invalidate the safety listing of this fixture.

WAC Lighting

www.waclighting.com

Phone (800) 526.2588 • Fax (800) 526.2585

Headquarters/Eastern Distribution Center

44 Harbor Park Drive • Port Washington, NY 11050

Phone (516) 515.5000 • Fax (516) 515.5050

Western Distribution Center

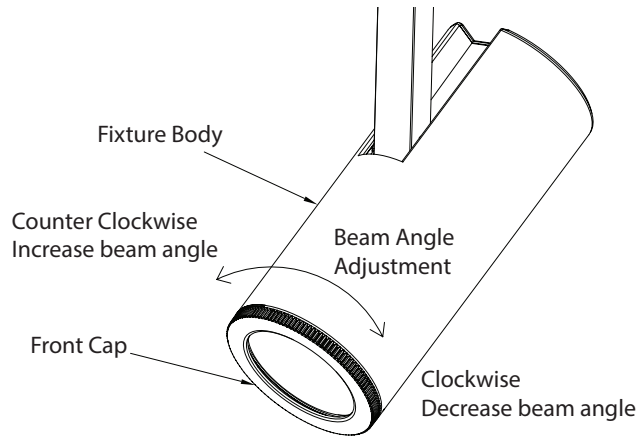
1750 Archibald Ave • Ontario, CA 91761

Phone (800) 526.2588 • Fax (800) 526.2585

BEAM ANGLE ADJUSTMENT : (Fig.3)

1. Hold fixture body with one hand and front cap with another.
2. Grip the front cap with two fingers and rotate it gently clockwise or counter clockwise until desired beam angle is achieved.
3. Cease rotation when you feel resistance as beam angle is reaching its minimum or maximum

Fig.3



ACCESSORIES:

1. With fixture powered off and front cap facing toward you, rotate the front cap clockwise just passed the position you feel a "click" (**Fig. 4**)
2. Gently, while holding fixture body secure, rock front cap assembly back and forth while pulling it away from fixture body to remove front cap assembly (**Fig. 5**)

Fig.4

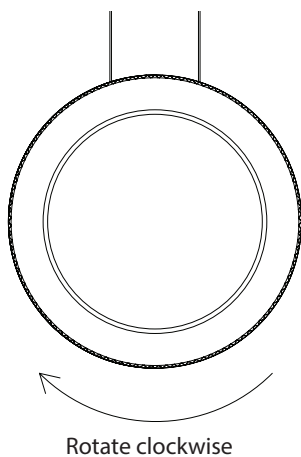
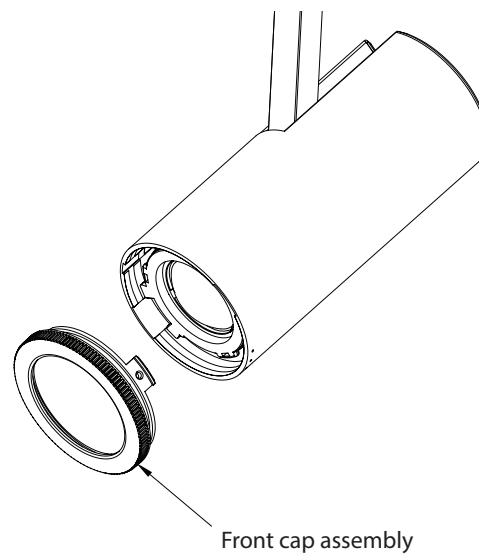


Fig.5



INSTALLATION INSTRUCTION

LED Monopoint

MO-4023

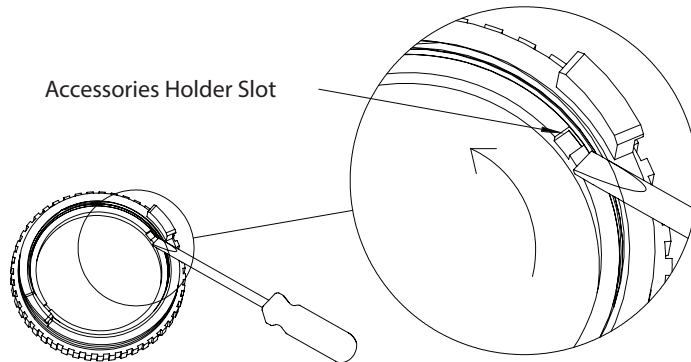
WAC LIGHTING

Responsible Lighting®

ACCESSORIES:

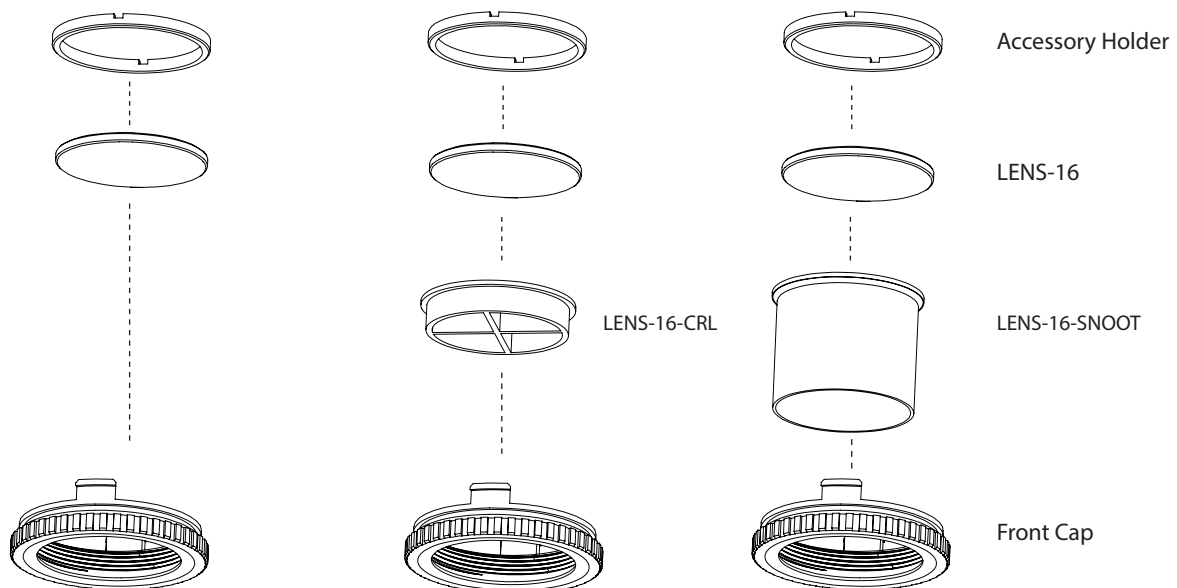
3. Use a flat-tip-screwdriver to remove the accessory holder by rotating it counter clockwise. **(Fig. 6)**

Fig.6



4. Fixture accommodates one lens and one glare control accessory. Refer to spec sheet for list of compatible accessories. Install accessories between the front cap and accessory holder. Tighten accessory holder after accessories are installed. **(Fig.7)**

Fig.7



WAC Lighting
www.waclighting.com
Phone (800) 526.2588 • Fax (800) 526.2585

Headquarters/Eastern Distribution Center
44 Harbor Park Drive • Port Washington, NY 11050
Phone (516) 515.5000 • Fax (516) 515.5050

Western Distribution Center
1750 Archibald Ave • Ontario, CA 91761
Phone (800) 526.2588 • Fax (800) 526.2585

INSTALLATION INSTRUCTION

LED Monopoint

MO-4023

WAC LIGHTING

Responsible Lighting®

5. Ensure internal fixture lens is still at the top position, and lens holder slots align with fixture body slots. Align the front cap tabs with the fixture body slots and insert the front cap assembly back into the fixture. Once fully inserted, rotate the front cap assembly counter clockwise passed the “click” and to the desired beam angle. **(Fig. 8)**

Fig.8

