

INSTALLATION INSTRUCTION

LOGOS LEDme® Track Luminaires

H-LED23/40, L-LED23/40, J-LED23/40, WTK-LED23/40, WHK-LED23/40

WAC LIGHTING

Responsible Lighting®

IMPORTANT SAFETY INSTRUCTIONS

- Read all instructions before installing.
- System is intended for installation by a qualified electrician in accordance with the National Electrical Code and local regulations.
- Go to the main fuse box, or circuit breaker. Place the main power switch in the "OFF" position and unscrew the fuse(s) or switch "OFF" the circuit breaker switch(es) that control the power to the fixture or room that you are working on.
- Place the wall switch in the "OFF" position.

CAUTION

All parts must be used as indicated in these instructions. Do not substitute any parts, leave parts out, or use any parts that are worn out or broken. Failure to follow this instruction could invalidate the ETL/CETL listing of this fixture.

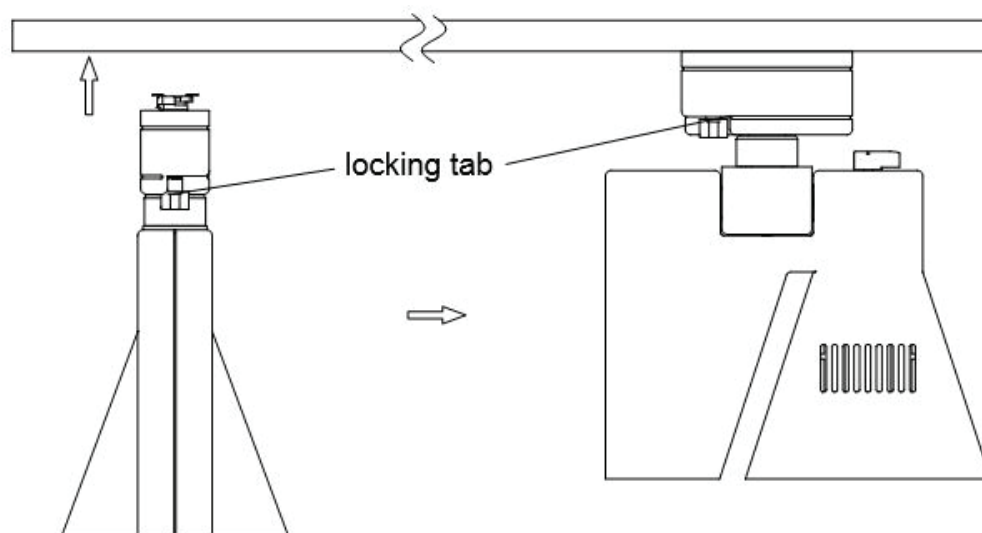
OVERVIEW:

Fixtures are designed for use on WAC Lighting's track systems. They may also be used on other manufacturer's brand of track (consult factory for compatibility).

LED TRACK FIXTURE	TRACK SYSTEMS
J-LED23, J-LED40 Series	J and J2 Track
H-LED23, H-LED40 Series	H Track
L-LED23, L-LED40 Series	L Track
WTK-LED23, WTK-LED40 Series	W Track (input: 120V)
WHK-LED40 Series	W Track (input: 120V)

FIXTURE INSTALLATION FOR J/H/L TRACK:

1. The track has a groove running its length to indicate polarity and the locking tab has an arrow indicating locking direction.
2. Insert adapter into track slot and rotate it 90°. The arrow should point to the grooved side of the track.
3. Push up and turn the locking tab into the lock position.
4. Reverse procedure to remove. Track heads may be positioned anywhere along the track.



WAC Lighting

www.waclighting.com

Phone (800) 526.2588 • Fax (800) 526.2585

Headquarters/Eastern Distribution Center

44 Harbor Park Drive • Port Washington, NY 11050

Phone (516) 515.5000 • Fax (516) 515.5050

Western Distribution Center

1750 Archibald Ave • Ontario, CA 91761

Phone (800) 526.2588 • Fax (800) 526.2585

INSTALLATION INSTRUCTION

LOGOS LEDme® Track Luminaires

H-LED23/40, L-LED23/40, J-LED23/40, WTK-LED23/40, WHK-LED23/40

WAC LIGHTING

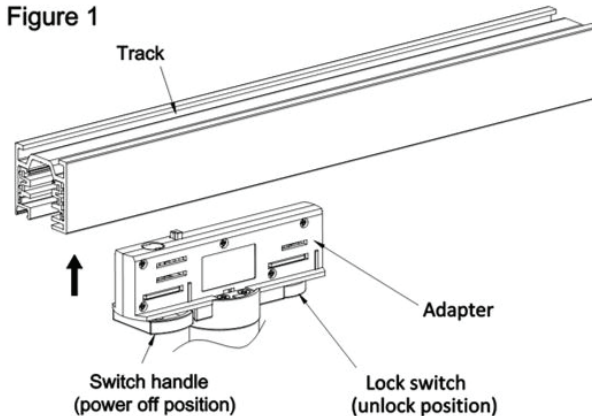
Responsible Lighting®

FIXTURE INSTALLATION FOR WT/WHT TRACK:

1. Turn the lock switch to the unlock position.

Turn the circuit selecting handle to the power off position. (Figure 1)

Figure 1

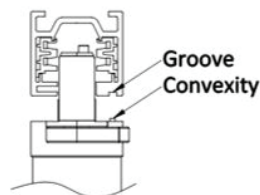


2. Make sure the convexity on the adaptor box is at the same side with the slot on the track.

(Figure 2). Fit the adaptor box into the track.

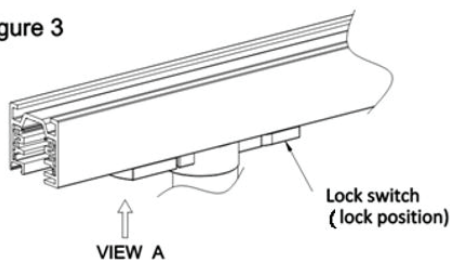
Ensure the convexity on the adaptor box is at the same side with the slot on the track. (Figure 2)

Figure 2

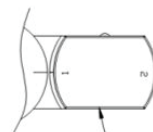


3. Turn the lock switch to the lock position. Turn the circuit selecting handle to 1 or 2 to switch the power on. (Figure 3)

Figure 3



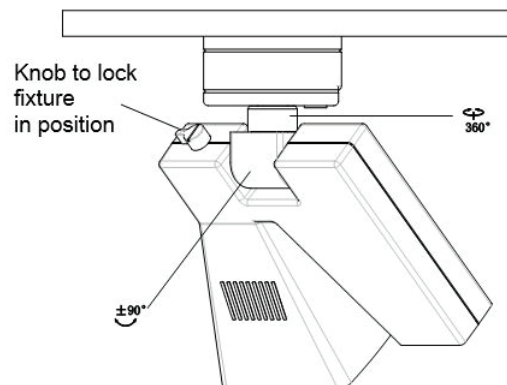
VIEW A



Switch handle
1. Power on at circuit 1.
2. Power on at circuit 2.

FIXTURE POSITIONING:

1. Power on fixture, rotate the luminaire's body horizontally or vertically to aim it properly. The fixture can rotate $\pm 90^\circ$ vertically and 360° horizontally. Use the knob on the fixture to lock the fixture in desired position.



WAC Lighting

www.waclighting.com

Phone (800) 526.2588 • Fax (800) 526.2585

Headquarters/Eastern Distribution Center

44 Harbor Park Drive • Port Washington, NY 11050

Phone (516) 515.5000 • Fax (516) 515.5050

Western Distribution Center

1750 Archibald Ave • Ontario, CA 91761

Phone (800) 526.2588 • Fax (800) 526.2585