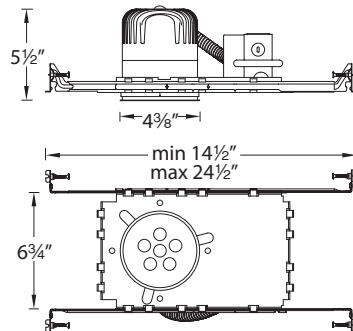
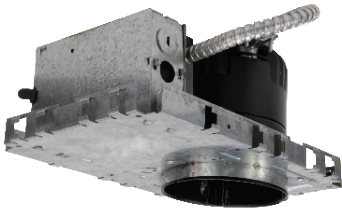


# HR-LED418-NIC

4" LEDme® – IC-Rated, New Construction Housing

# WAC LIGHTING

Responsible Lighting®



Fixture Type:

Catalog Number:

Project:

Location:

## PRODUCT DESCRIPTION

4 inch LEDme® IC-Rated new construction housing, includes six 3W LED's. For use with LEDme® 4 inch trims.

## FEATURES

- Eneary Star®
- Cutout: 4 $\frac{3}{8}$ "
- 100,000 hour rated life
- Accommodates ceiling thickness up to 1"
- UL and CUL Listed
- 5 year WAC Lighting product warranty

## FIXTURE PERFORMANCE

Model #	Color Temp	Watt	Lumens	Efficacy	CRI
<b>HR-LED418-NIC-27</b>	2700K	10.2W	639	58.1 Lm/W	85
<b>HR-LED418-NIC-30</b>	3000K	10.2W	639	58.1 Lm/W	85
<b>HR-LED418-NIC-35</b>	3500K	10.2W	681	62.0 Lm/W	80
<b>HR-LED418-NIC-40</b>	4000K	10.2W	815	70.0 Lm/W	75

## ORDER NUMBER

Model #	Color Temp
<b>HR-LED418-NIC</b>	<b>27</b> 2700K
	<b>30</b> 3000K
	<b>35</b> 3500K
	<b>40</b> 4000K

**HR-LED418-NIC** -

Example: **HR-LED418-NIC-C**

## COMPATIBLE TRIMS

Model #	Description	Finish – (where there is a slash (/) the letters correspond as: interior finish/ exterior finish)
<b>HR-LED411</b>	Round, Open Reflector Downlight	Black/Brushed Nickel ( <b>BK/BN</b> ), Black/White ( <b>BK/WT</b> ), White/White ( <b>WT/WT</b> )
<b>HR-LED421</b>	Round, Step Baffle Downlight	White/White ( <b>WT/WT</b> )
<b>HR-LED431</b>	Round, Shower light	Chrome ( <b>CH</b> ), White ( <b>WT</b> )
<b>HR-LED451</b>	Square, Open Reflector Downlight	Black/Brushed Nickel ( <b>BK/BN</b> ), Black/White ( <b>BK/WT</b> ), White/White ( <b>WT/WT</b> )
<b>HR-LED471</b>	Square, Shower light	Chrome ( <b>CH</b> ), White ( <b>WT</b> )

Example: **HR-LED411-BK/BN**

See individual trim spec sheets for complete information.

## SPECIFICATIONS

**Construction:** Die-cast aluminum heat sink painted black. Housing and junction box are 20 gauge steel. Frame and hanger bars are heavy gauge galvanized steel.

**J-Box:** Seven knockouts and four Romex® style wiring connectors provided for ease of installation. Rated for branch wiring.

**Driver:** Electronic driver, 120VAC/60Hz input, 10.2W output, 450mA current. Power factor >0.9. Dimming with thermal protection.

**Light Source:** Includes six 3W ANSI compliant Warm/Neutral LEDs for the finest color consistency possible. Replacement modules available.

**Dimming:** May be dimmed to 1% with electronic low voltage (ELV) dimmer.

**Mounting:** Supplied with hanger bars, adjustable from 14 $\frac{1}{2}$ "-24 $\frac{1}{2}$ " to accommodate various joist construction and grid sizes. Hanger bars include a captive mounting "screw-nail" for ease of installation. Accommodates surface up to  $\frac{1}{4}$ " thick. 4 $\frac{3}{8}$ " cutout hole.

**Rating:** IC-Rated: Suitable for direct contact with insulation.

**Standards:** UL & CUL Listed.

## REPLACEMENT MODULES

Model #	Color Temp
<b>RM-6X3-27</b>	2700K
<b>RM-6X3-30</b>	3000K
<b>RM-6X3-35</b>	3500K
<b>RM-6X3-40</b>	4000K

WAC Lighting  
www.waclighting.com  
Phone (800) 526.2588 • Fax (800) 526.2585

Headquarters/Eastern Distribution Center  
44 Harbor Park Drive • Port Washington, NY 11050  
Phone (516) 515.5000 • Fax (516) 515.5050

Western Distribution Center  
1750 Archibald Avenue • Ontario, CA 91760  
Phone (800) 526.2588 • Fax (800) 526.2585

# HR-LED418-NIC

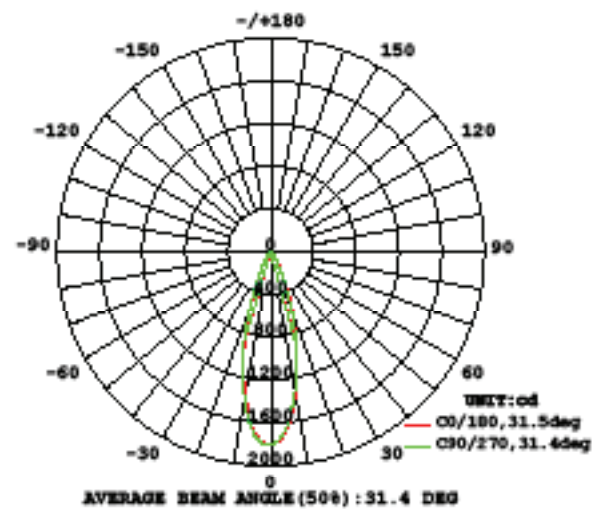
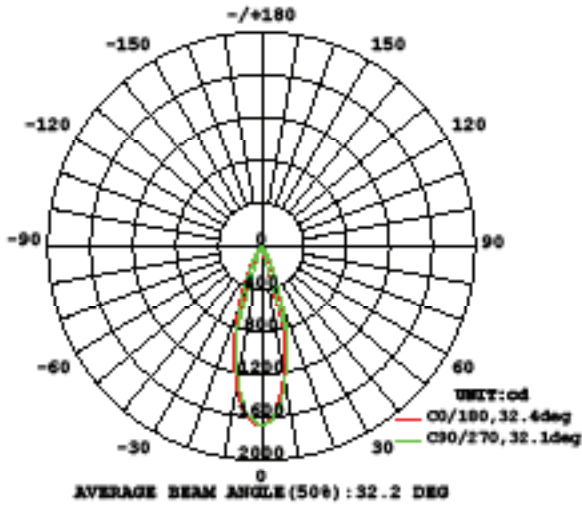
## Photometrics

# WAC LIGHTING

Responsible Lighting®

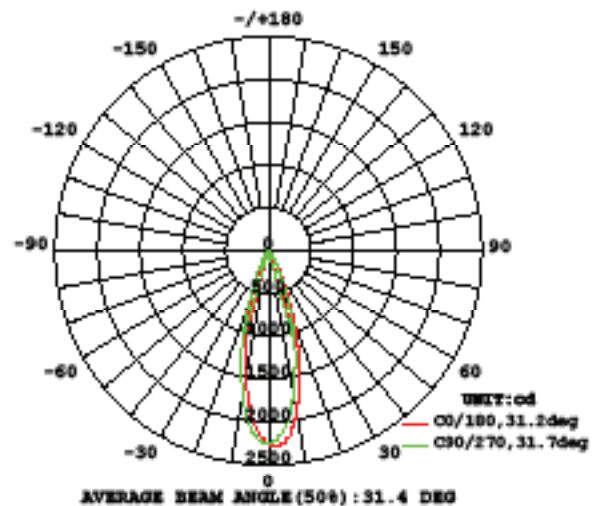
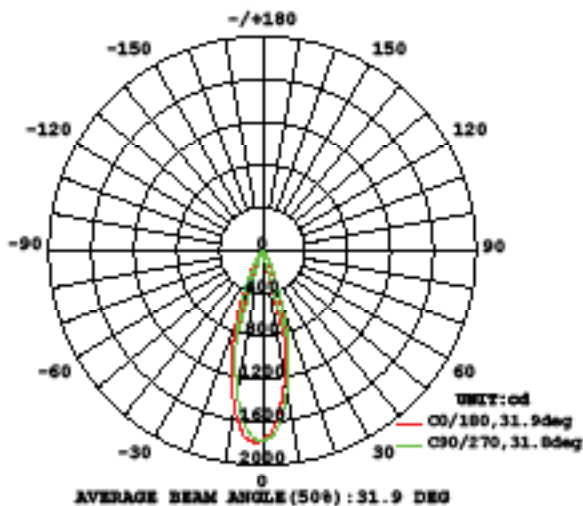
2700K

3000K



3500K

4500K



WAC Lighting  
www.waclighting.com  
Phone (800) 526.2588 • Fax (800) 526.2585

Headquarters/Eastern Distribution Center  
44 Harbor Park Drive • Port Washington, NY 11050  
Phone (516) 515.5000 • Fax (516) 515.5050

Western Distribution Center  
1750 Archibald Avenue • Ontario, CA 91760  
Phone (800) 526.2588 • Fax (800) 526.2585