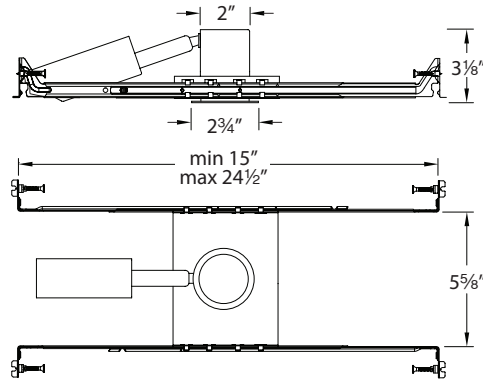


HR-LED252E

1" LEDme® Downlight

WAC LIGHTING

Responsible Lighting®



Fixture Type:

Catalog Number:

Project: _____

Location: _____

PRODUCT DESCRIPTION

Square adjustable recessed trim. IC-Rated housing included with trim, can be used as new construction or remodel.

FEATURES

- 1" aperture
- Cutout: 2½"
- 20° adjustment from vertical; home docking position to ensure light is projected straight down when needed
- Less than ⅙" thick, super low profile die-cast aluminum trim
- Sold as new construction, may be re-configured in the field for remodel
- Narrow flood beam spread
- 100,000 hour rated life
- UL and CUL Listed
- 5 year WAC Lighting product warranty

FIXTURE PERFORMANCE

Model #	Color Temp	Watt	Lumens	Efficacy	CRI
HR-LED252E-27	2700K	4W	160	40.0 Lm/W	85
HR-LED252E-W	3000K	4W	160	40.0 Lm/W	85
HR-LED252E-35	3500K	4W	170	42.5 Lm/W	80
HR-LED252E-C	4500K	4W	201	50.3 Lm/W	75

SPECIFICATIONS

Construction: Die-cast aluminum trim and aluminum heat sink. Housing and junction box are 20 gauge steel painted black. Frame and hanger bars are heavy gauge galvanized steel.

J-Box: Seven knockouts and four Romex® style wiring connectors provided for ease of installation. Rated for branch wiring.

Driver: Electronic driver, 120VAC/60Hz input, 4W max output. Power factor >0.9. Dimming with thermal protection.

Light Source: Includes one 3W ANSI compliant Warm/Neutral LED for the finest color consistency possible. Replacement modules available.

Dimming: May be dimmed to 10% with electronic low voltage (ELV) dimmer.

Mounting: Supplied with hanger bars, adjustable from 15"-24½" to accommodate various joist constructions and grid sizes. Hanger bars include a captive mounting "screw-nail" for ease of installation. For remodel installation, three heavy gauge inner retention clips push out onto ceiling or other mounting surface to firmly hold housing in place. Accommodates surface up to 1" thick. Minimum plenum height of 4" required. 2½" cutout hole.

Finish: Available in White (WT) powder coat paint and electroplated Brushed Nickel (BN) and Gun Metal (GM).

Rating: IC-Rated: Suitable for direct contact with insulation.

Standards: UL & CUL Listed.

ORDER NUMBER

Model #	Color Temp	Finish
HR-LED252E	27 2700K	BN Brushed Nickel
	W 3000K	GM Gun Metal
	35 3500K	WT White
	C 4500K	

FINISHES



REPLACEMENT MODULES

Model #	Color Temp
RM1X3-27-DL	2700K
RM1X3-30-DL	3000K
RM1X3-35-DL	3500K
RM1X3-45-DL	4500K

HR-LED252E - -

Example: HR-LED252E-C-GM

WAC Lighting

www.waclighting.com

Phone (800) 526.2588 • Fax (800) 526.2585

Headquarters/Eastern Distribution Center

44 Harbor Park Drive • Port Washington, NY 11050

Phone (516) 515.5000 • Fax (516) 515.5050

Western Distribution Center

1750 Archibald Avenue • Ontario, CA 91760

Phone (800) 526.2588 • Fax (800) 526.2585

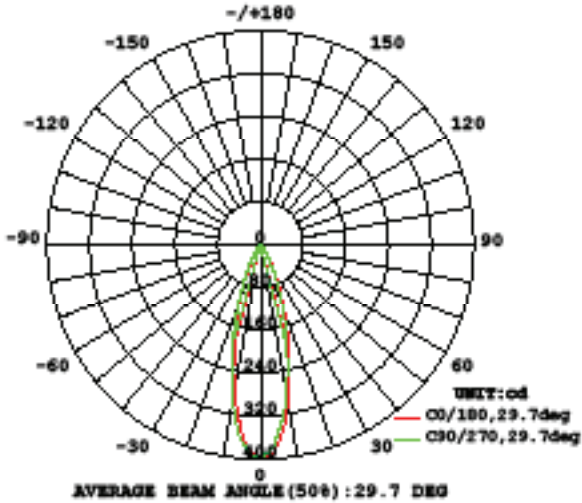
HR-LED252E

Photometrics

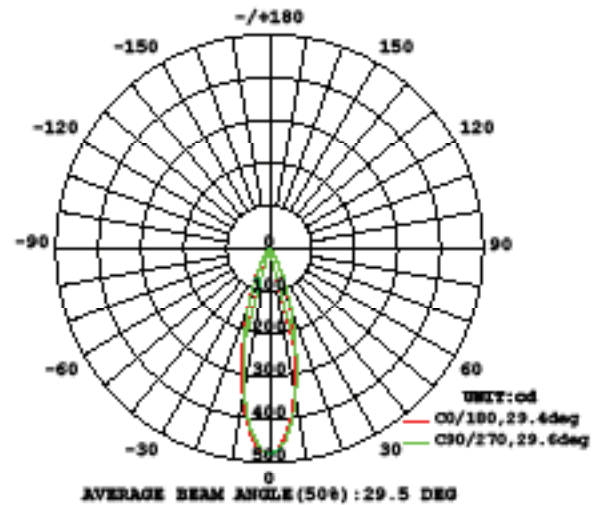
WAC LIGHTING

Responsible Lighting®

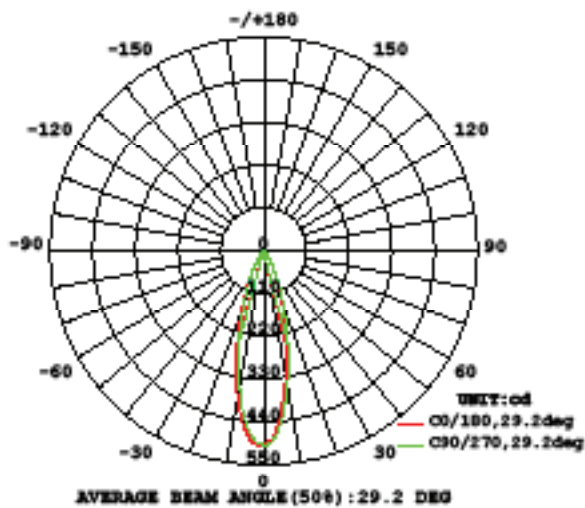
2700K



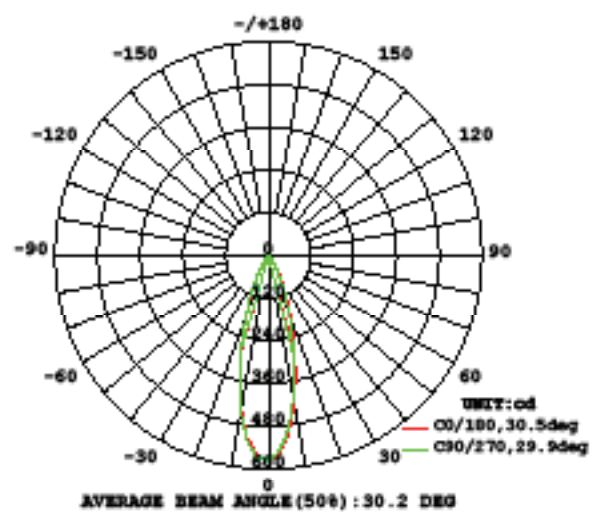
3000K



3500K



4500K



WAC Lighting
www.waclighting.com
Phone (800) 526.2588 • Fax (800) 526.2585

Headquarters/Eastern Distribution Center
44 Harbor Park Drive • Port Washington, NY 11050
Phone (516) 515.5000 • Fax (516) 515.5050

Western Distribution Center
1750 Archibald Avenue • Ontario, CA 91760
Phone (800) 526.2588 • Fax (800) 526.2585