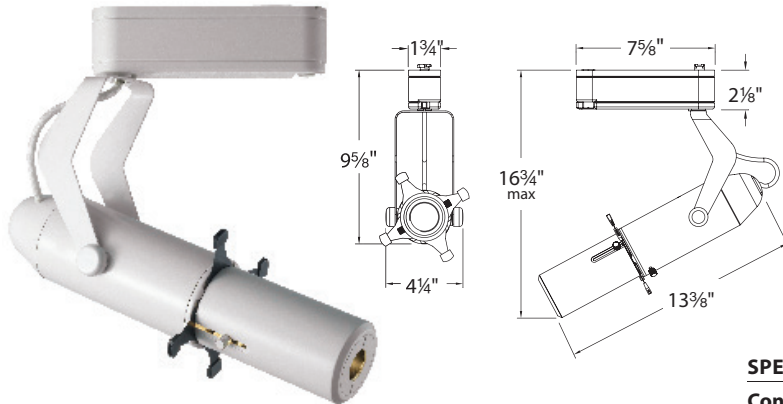


FRAMING PROJECTOR – model: LED009

LEDme® Track Luminaire

WAC LIGHTING

Responsible Lighting®



Fixture Type:

Catalog Number:

Project:

Location:

PRODUCT DESCRIPTION

Using state of the art multi-chip LED technology, the Framing Projector uses two lenses for precise focus adjustment to highlight artwork and wall décor or project images, signs and corporate logos.

FEATURES

- Can be used to project images, signs, and corporate logos
- Uses two lenses to allow precise focus adjustment
- Precise beam adjustment from 24° to 40°
- Accepts "D" size Glass and Metal Gobos; consult WAC Lighting for info on purchasing gobos
- 355° horizontal rotation and 90° vertical aiming
- ANSI Compliant Warm/Neutral LED Bins for a finer color consistency
- Accepts 1 lens
- 60,000 hours potential LED life
- 5 year WAC Lighting product warranty

SPECIFICATIONS

Construction: Die-cast aluminum track head with polycarbonate driver case and track adapter. Two focusing lenses and metal shims contained in framing snoot.

Finish: Abrasion resistant paint finish Available in Black (BK) and White (WT).

Driver: Input voltage: 120VAC 50/60Hz
Max Load: 22W

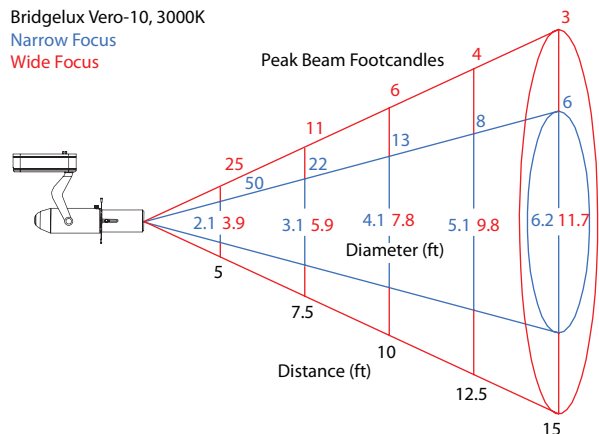
Lamp: Bridgelux LED Vero10.

Dimming: Not Dimmable

Standards: ETL & cETL Listed

APPLICATION PERFORMANCE

Bridgelux Vero-10, 3000K
Narrow Focus
Wide Focus



ORDER NUMBER

System	Model #	Power	Color Temp	CRI	Lumens	Finish
L L Track	LED009	22W	927	2700K	90	165
H H Track			27	2700K	85	245
J J/J2 Track			9W	3000K	90	195
			WW	3000K	85	215
			35	3500K	85	220
			CW	4000K	85	290
						BK Black WT White

System - Model # - Color - Finish

Example: L-LED009-WW-WT

FINISHES



ACCESSORIES

Color Lens	LENS-16	AMB Amber
		BLU Blue
		GRN Green
		RED Red
		YEL Yellow

WAC Lighting

www.waclighting.com
Phone (800) 526.2588 • Fax (800) 526.2585

Headquarters/Eastern Distribution Center

44 Harbor Park Drive • Port Washington, NY 11050
Phone (516) 515.5000 • Fax (516) 515.5050

Western Distribution Center

1750 Archibald Avenue • Ontario, CA 91760
Phone (800) 526.2588 • Fax (800) 526.2585