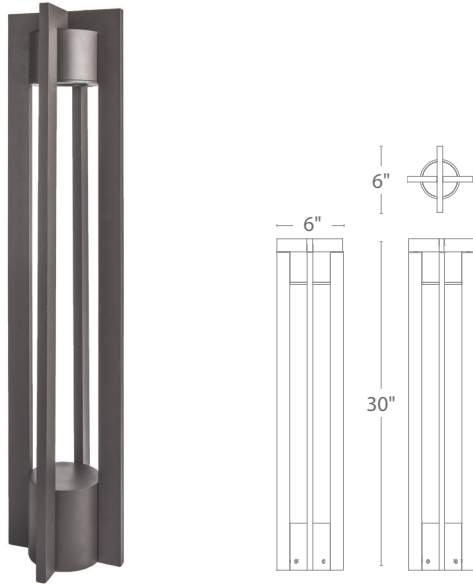


# CHAMBER 12V/120V/277V LED BOLLARD

6631/6632/6633

# WAC

## LANDSCAPE LIGHTING



Fixture Type:

Catalog Number:

Project: \_\_\_\_\_

Location: \_\_\_\_\_

### PRODUCT DESCRIPTION

Sleek linear design blends seamlessly into pathways while providing soft, even illumination

### FEATURES

- IP66 rated, Protected against powerful water jets
- Factory sealed water tight fixtures
- Mounting accessories included
- UL & cUL 1838 Listed (12V); 1598 Listed (120V/277V)

### SPECIFICATIONS

#### 6631

**Input:** 9-15VAC (Transformer is required)  
**Power:** 5.5W / 6.0VA  
**Brightness:** Up to 140 lm  
**CRI:** 90  
**Rated Life:** 60,000 hours  
**Dimming:** MLV dimming only

#### 6632

**Input:** 120V  
**Power:** 12.5W  
**Brightness:** Up to 360 lm  
**CRI:** 90  
**Rated Life:** 60,000 hours  
**Dimming:** TRIAC or ELV dimming

#### 6633

**Input:** 277V  
**Power:** 10.5W  
**Brightness:** Up to 400 lm  
**CRI:** 90  
**Rated Life:** 60,000 hours  
**Dimming:** ELV dimming only

Model	Color Temp	Finishes
<b>6631</b> 12V	<b>27</b> 2700K Warm White	<b>BZ</b> Bronze on Aluminum
	<b>30</b> 3000K Pure White	<b>BK</b> Black on Aluminum
<b>6632</b> 120V	<b>27</b> 2700K Warm White	<b>BZ</b> Bronze on Aluminum
	<b>30</b> 3000K Pure White	<b>BK</b> Black on Aluminum
<b>6633</b> 277V	<b>27</b> 2700K Warm White	<b>BZ</b> Bronze on Aluminum
	<b>30</b> 3000K Pure White	<b>BK</b> Black on Aluminum

**6632-\_\_\_BK**

Example: **6632-30BK**



wacighting.com  
 Phone (800) 526.2588  
 Fax (800) 526.2585

Headquarters/Eastern Distribution Center  
 44 Harbor Park Drive  
 Port Washington, NY 11050

Central Distribution Center  
 1600 Distribution Ct  
 Lithia Springs, GA 30122

Western Distribution Center  
 1750 Archibald Avenue  
 Ontario, CA 91760