

INSTALLATION INSTRUCTION

Adjustable Spot - Endurance Sign Lighting

WP-LED514, WP-LED529

WAC LIGHTING
Responsible Lighting®

WARNING

IMPORTANT: NEVER attempt to do any work without shutting off the electricity.

1. Read all instructions before installing.
2. System is intended for installation by a qualified electrician in accordance with the National Electrical Code and local regulations.
3. Place the wall switch in the "OFF" position.
4. Go to the main fuse box, or circuit breaker. Unscrew the fuse(s) or switch "OFF" the circuit breaker switch(es) that control the power to the space that you are working on.

CAUTION

- All parts must be used as indicated in these instructions. Do not substitute any parts, leave parts out, or use any parts that are worn out or broken. Failure to follow this instruction may invalidate the ETL/cETL listing of this fixture.

AVERTISSEMENT

IMPORTANT : Coupez l'électricité avant TOUTE manipulation.

- Lisez toutes les instructions avant d'installer.
- Système est destiné à être installé par un électricien qualifié en conformité avec le code national de l'électricité et les règlements locaux.
- Placez l'interrupteur mural en position d'arrêt (« OFF »).
- Toujours mettre le fusible ou le disjoncteur en position arrêt dans la pièce ou des travaux électriques sont prévus

MISE EN GARDE

- Toutes les pièces doivent être utilisées tel qu'il est indiqué dans ces instructions. Ne remplacez pas les pièces, n'en laissez pas de côté et ne les utilisez pas si elles sont usées ou brisées. Le non-respect de ces instructions peut annuler l'homologation ETL/cETL du luminaire.

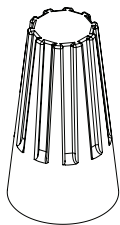
ADVERTENCIA

IMPORTANTE: NUNCA intente hacer trabajos sin desconectar el suministro eléctrico.

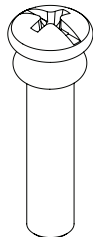
- Lea y comprenda todas las instrucciones e ilustraciones por completo antes de proceder con el ensamblaje e instalación de esta lámpara.
- Sistema está diseñado para ser instalado por un electricista calificado, de acuerdo con el código eléctrico nacional y las normas locales.
- Coloque el interruptor de la pared en la posición "OFF" (APAGADO).
- Diríjase a la caja de fusibles o a la caja del interruptor de circuito principal en su hogar. Coloque el interruptor de alimentación principal en la posición "OFF" (APAGADO).

PRECAUCIÓN

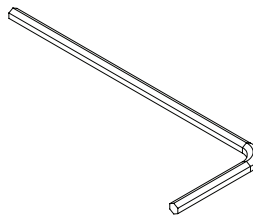
- Todas las piezas deben usarse como lo indican estas instrucciones. No reemplace las piezas, no omita piezas durante la instalación ni utilice piezas gastadas o rotas. El incumplimiento de esta indicación podría invalidar la calificación ETL/cETL esta lámpara.



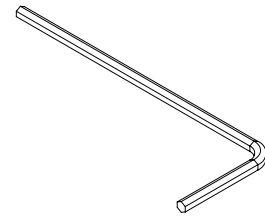
Wire Nut
Qty: 4 pcs
7EAC112201
P3



Junction Box Screw
with Gasket
Qty: 2 pcs + 1 Extra
7MPF0415C2
#8-32 15mm
Stainless Steel



Hex Key
Qty: 1 pc
7MPE155003
1/8" - 40



Hex Key
Qty: 1 pc
7MPE205001
5/32" - 32

wacighting.com
Phone (800) 526.2588
Fax (800) 526.2585

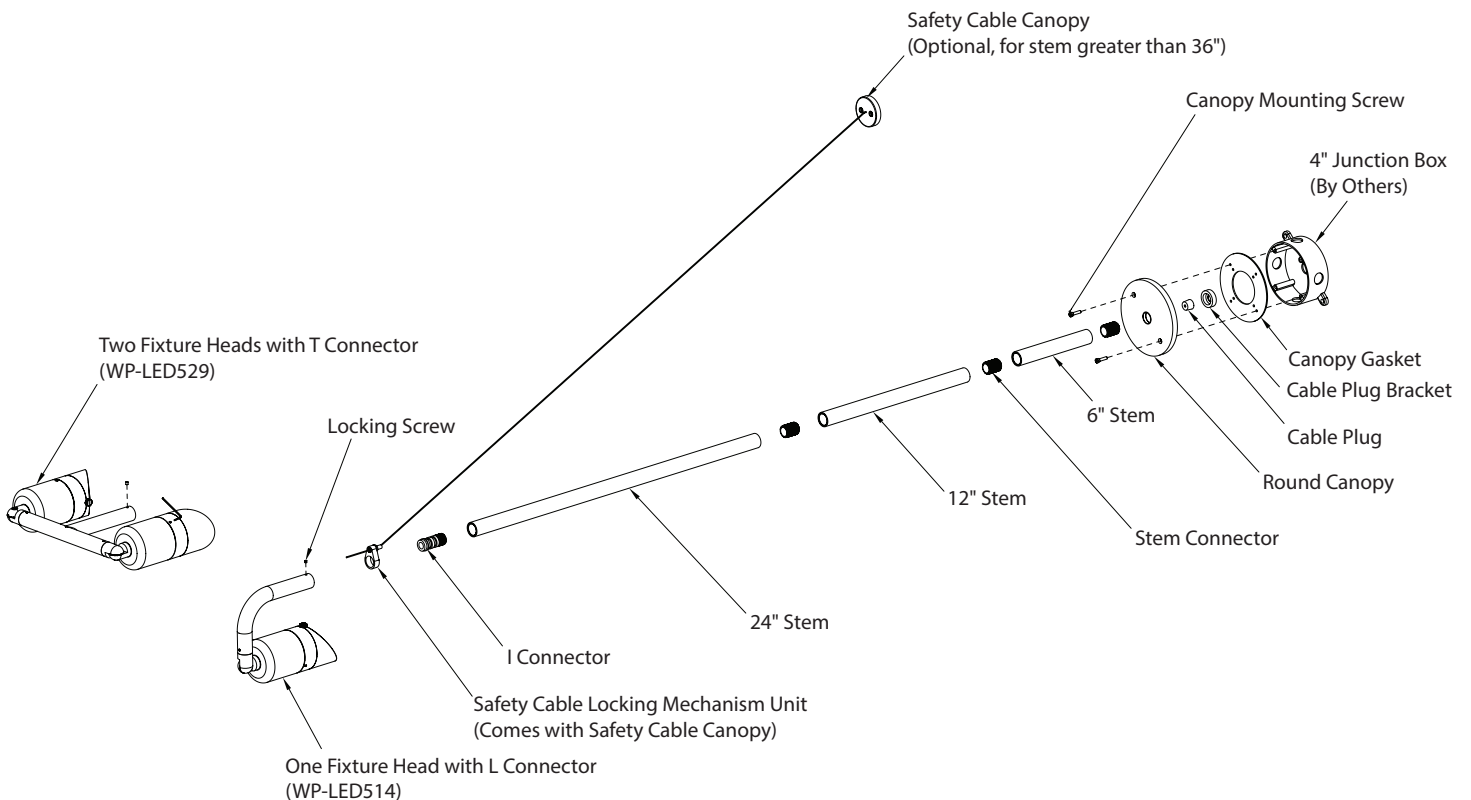
Headquarters/Eastern Distribution Center
44 Harbor Park Drive
Port Washington, NY 11050

Central Distribution Center
1600 Distribution Ct
Lithia Springs, GA 30122

Western Distribution Center
1750 Archibald Avenue
Ontario, CA 91760



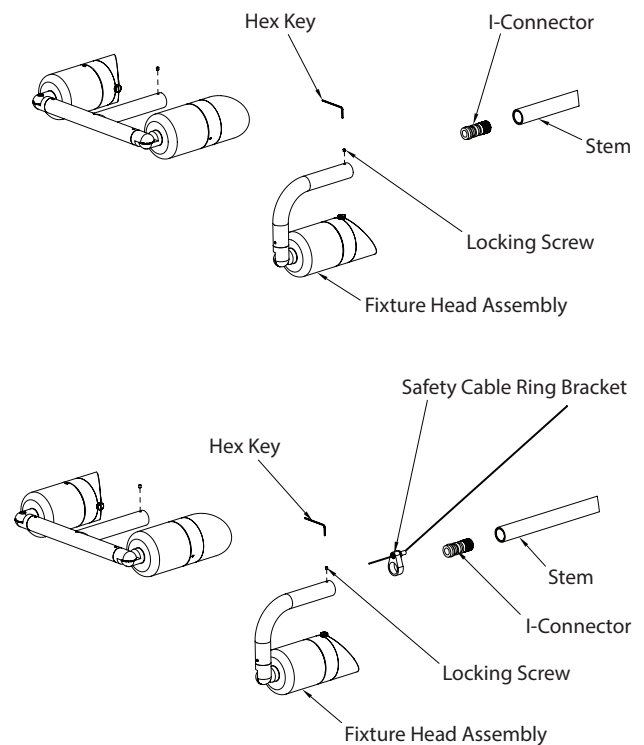
INSTALLATION ASSEMBLY OVERVIEW



STEP 1:

- Install Fixture Head (WP-LED514/WP-LED529) to Stem using I-Connector.
 - a. Installation without Safety Cable Set
 1. Thread the I-Connector into the Stem until it stops.
 2. Insert the I-Connector with Stem into fixture head until it stops and lock it with the Hex Key.
 - b. Installation with Safety Cable Set (**Stem greater than 36"**)
 1. Thread the I-Connector into the Stem until it stops.
 2. Insert the Safety Cable Ring Bracket into the I-Connector
 3. Insert the I-Connector assembly into Fixture Head Assembly until it stops and lock it with the Hex Key.

NOTE: See Safety Cable Installation Section for more detail on the Safety Cable Set.



INSTALLATION INSTRUCTION

Adjustable Spot - Endurance Sign Lighting

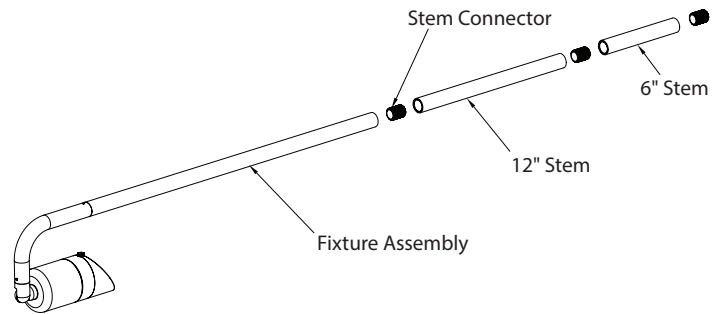
WP-LED514, WP-LED529

WAC LIGHTING

Responsible Lighting®

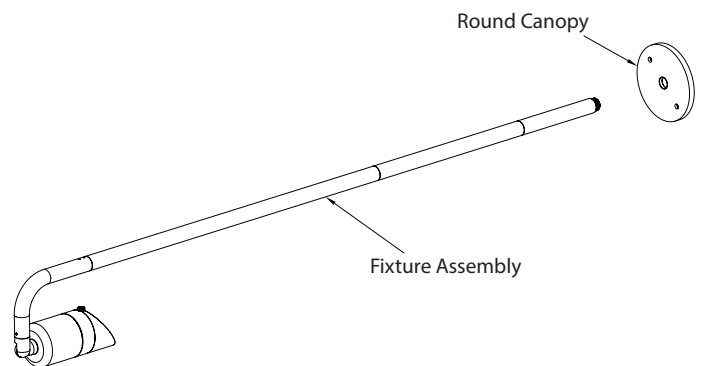
STEP 2:

- Install additional stems to desired length of the application by using Stem Connectors.



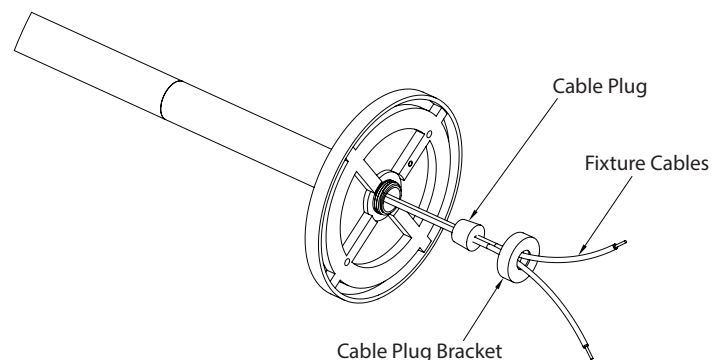
STEP 3:

- Thread Fixture Assembly into the Round Canopy.



STEP 4:

- Lead the Fixture Cables through the Cable Plug to Ensure waterproof capability.
- Push the Cable Plug into the Stem and lock it with the Cable Plug Bracket.
- Seal the Cable Plug area with silicone glue to ensure best waterproof capability.



waclighting.com

Phone (800) 526.2588

Fax (800) 526.2585

Headquarters/Eastern Distribution Center

44 Harbor Park Drive

Port Washington, NY 11050

Central Distribution Center

1600 Distribution Ct

Lithia Springs, GA 30122

Western Distribution Center

1750 Archibald Avenue

Ontario, CA 91760




INSTALLATION INSTRUCTION
Adjustable Spot - Endurance Sign Lighting
 WP-LED514, WP-LED529

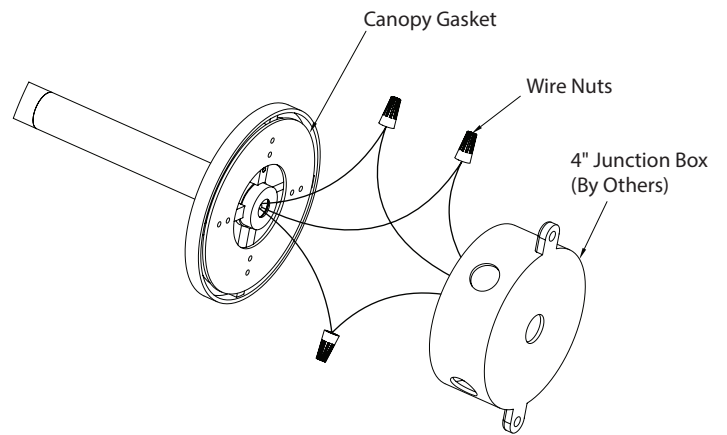
STEP 5:

- Connect the electrical wires as shown in **Fig. 1**, making sure that all wire nuts are secured.
- Tuck all of the wires carefully inside the junction box.

Fig.1 Wiring

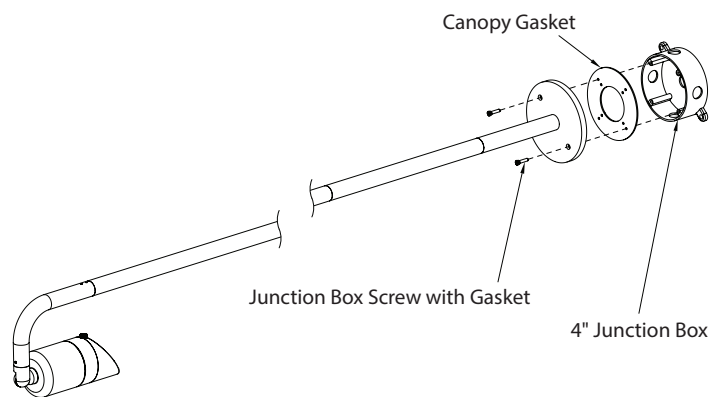


Fixture Wires	House Wires
Black or Smooth	Black (Hot)
White or Ribbed	White (Neutral)
Bare wire (Ground)	Green or Bare Copper (Ground)



STEP 6:

- Mount Fixture Assembly onto the 4" Junction Box with 2 Junction Box Screws



INSTALLATION INSTRUCTION

Adjustable Spot - Endurance Sign Lighting

WP-LED514, WP-LED529

WAC LIGHTING

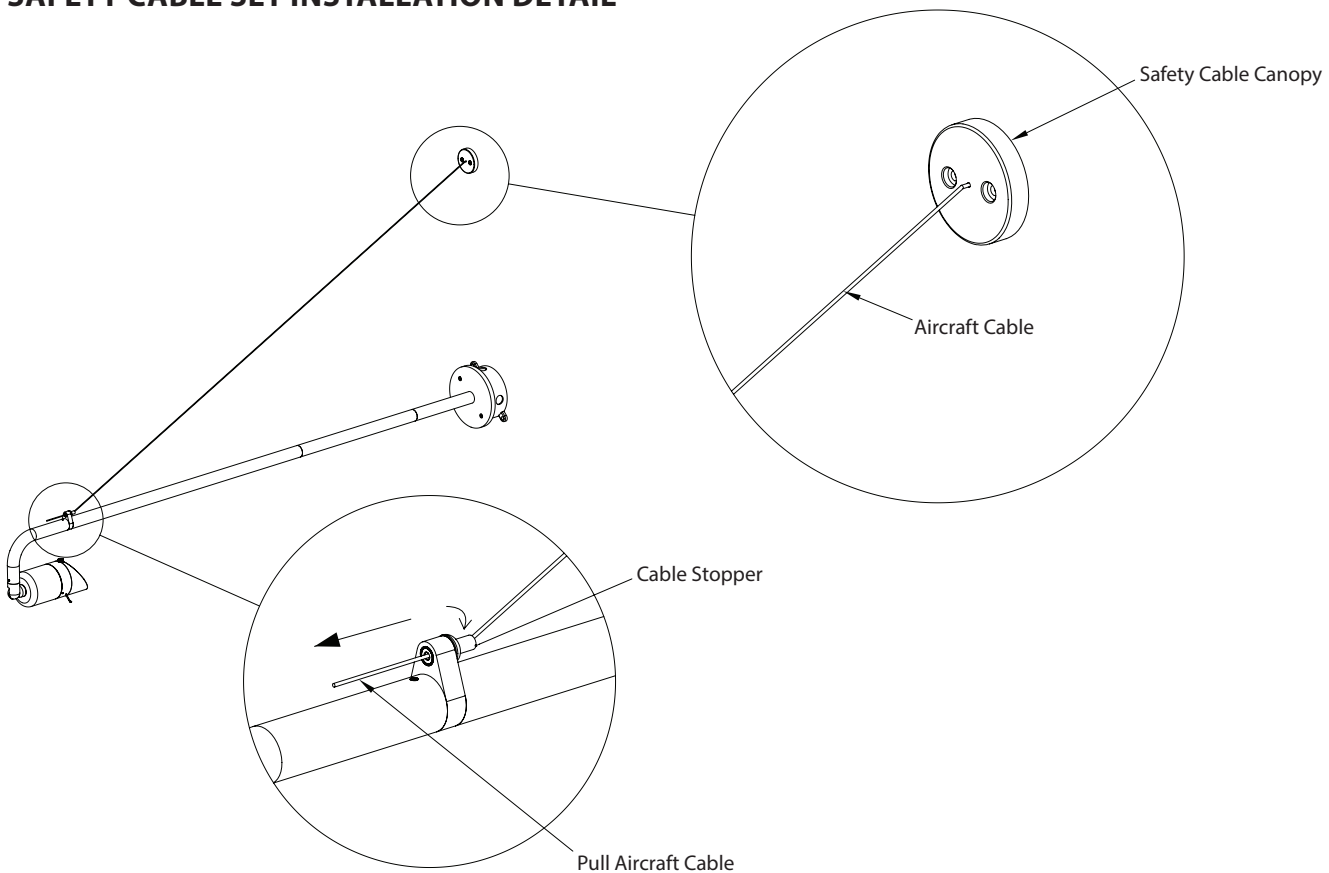
Responsible Lighting®

COMPLETING THE INSTALLATION:

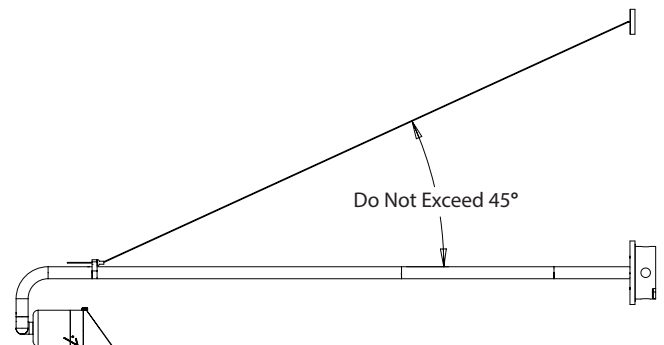
To prevent moisture from entering the outlet box and causing a short, use caulking (i.e. silicone sealant) to outline the outside of Round Canopy where it meets the wall while leaving the bottom side unsealed to allow moisture to escape.

Note: This fixture is suitable for wet location installations in all mounting orientations.

SAFETY CABLE SET INSTALLATION DETAIL



1. Mount Safety Cable Canopy above fixture location (Do not exceed 45° from horizontal) using appropriate mounting hardware for surface. (By Others)
2. Unthread the Cable Stopper by rotating it clockwise.
3. Pull the aircraft cable while pressing the Cable Stopper.
4. Thread and tighten the Cable Stopper after required tension on the aircraft cable is reached.
5. Cut excessive aircraft cable with appropriate tool.



waclighting.com

Phone (800) 526.2588

Fax (800) 526.2585

Headquarters/Eastern Distribution Center

44 Harbor Park Drive

Port Washington, NY 11050

Central Distribution Center

1600 Distribution Ct

Lithia Springs, GA 30122

Western Distribution Center

1750 Archibald Avenue

Ontario, CA 91760

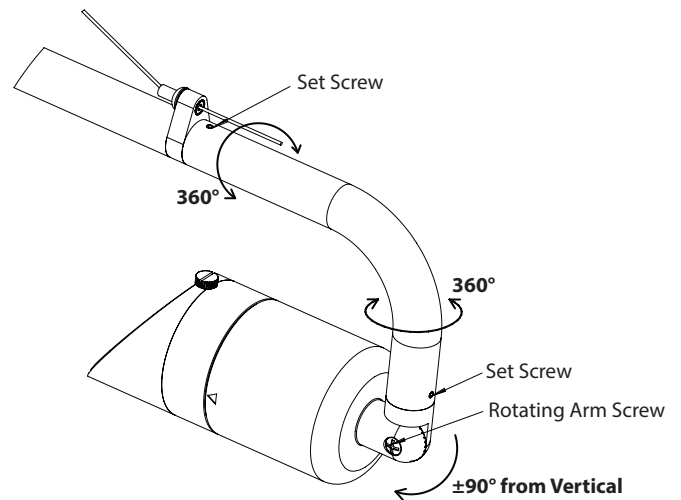


INSTALLATION INSTRUCTION
Adjustable Spot - Endurance Sign Lighting
 WP-LED514, WP-LED529

WAC LIGHTING
 Responsible Lighting®

AIMING THE FIXTURE:

Loosen the Set Screws and Rotating Arm Screw to aim the fixture head to desired position before retightening the screws.



BEAM ANGLE ADJUSTMENT:

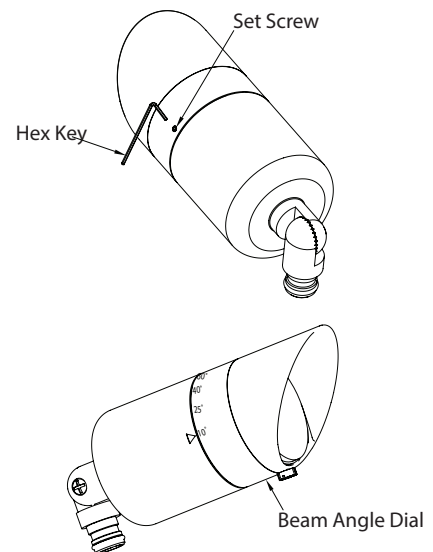
Note the four pre-determined beam angles on the beam angle changing dial.

Use the provided Hex Key to slightly loosen the screw.
 Do not remove screw from fixture.

CAUTION: The set screw should either be inset or flushed with the surface of the fixture. Do not extrude out and remove from the fixture at any time. It should only be taken out for fixture servicing. Consult factory for service instruction.

Rotate the dial until the arrow is aligned with the desired beam angle. This beam angle may either be one of the pre-determined ones or any number in between.

Tighten the set screw that is located on the beam angle dial to lock the dial in place.

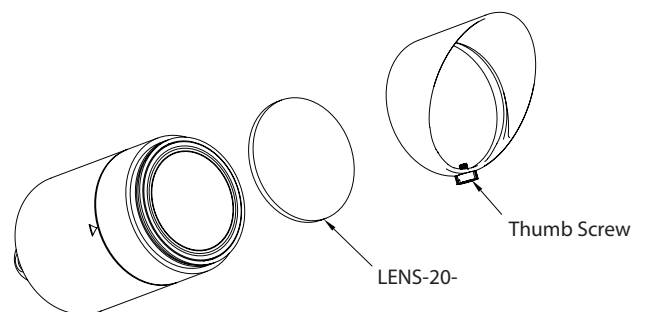


ACCESSORIES:

Lens Accessory:

Frosted, red, blue, green and amber lense accessories are used to alter the spectrum and distribution of the light coming out of the fixture.

Installation: Place the lens in between the fixture and the shroud. Tighten the thumb screw on the shroud to secure the lens in place



waclighting.com
 Phone (800) 526.2588
 Fax (800) 526.2585

Headquarters/Eastern Distribution Center
 44 Harbor Park Drive
 Port Washington, NY 11050

Central Distribution Center
 1600 Distribution Ct
 Lithia Springs, GA 30122

Western Distribution Center
 1750 Archibald Avenue
 Ontario, CA 91760

