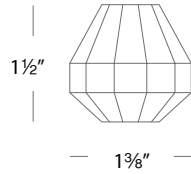


PRINCESS – model: DR-G362

Crystal Collection: Beauty Spots™

WAC LIGHTING

Responsible Lighting®



Fixture Type:

Catalog Number:

Project: _____

Location: _____

PRODUCT DESCRIPTION

Beauty Spots™ series are low voltage surface mount fixtures designed for use in drywall ceilings, grid ceilings, walls, or displays. Clear shades fit over the lamp and are retained by a spring band.

FEATURES

- For use with LED canopy **DR-LED302-30-CH** or Xenon canopy **DR-301** (order separately)
- Use 12V/24V remote electronic or magnetic transformer (order separately) see next pages for complete transformer spec.
- Easily mounted on suspended or finished ceilings.
- Can be used individually as accent pieces or grouped together.
- 5 year WAC Lighting product warranty

SPECIFICATIONS

Construction: Canopy faceplate is plated chrome. Wiring compartment is steel, painted black.

Light Source: LED 4.3W or Xenon Bi-Pin 20W with canopy.

Mounting: No screws, nails or hardware required. Flat "wing" springs expand against the cut out hole to hold fixture against the surface. 2" cut out hole.

Mounting: Integral wiring compartment with standard size knock out hole on top. When using a class II power supply, side hole may be used for wire entry

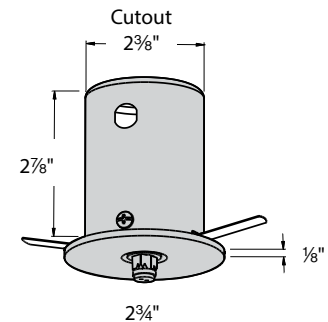
Standards: UL & CUL Listed.

COMPATIBLE CANOPY

Source	Model #	Finish	Watt	Cutout	Color Temp	Lumens
LED	DR-LED302-30	CH Chrome	4.3W	2 3/8"	3000K	145
Xenon Bi-Pin	DR-301	CH Chrome WT White	20W	2 3/8"		

Example: **DR-LED302-30-CH**

-



ORDER NUMBER

Model #	Finish
DR-G362	CL Clear

-

Example: **DR-G362-CL**



WAC Lighting
www.waclighting.com
Phone (800) 526.2588 • Fax (800) 526.2585

Headquarters/Eastern Distribution Center
44 Harbor Park Drive • Port Washington, NY 11050
Phone (516) 515.5000 • Fax (516) 515.5050

Western Distribution Center
1750 Archibald Avenue • Ontario, CA 91760
Phone (800) 526.2588 • Fax (800) 526.2585

PRINCESS – model: DR-G362

Beauty Spots™ transformers

WAC LIGHTING

Responsible Lighting®

Electronic Transformer

Model #	Description	Volt	Min Watt	Max Watt
EN-1260-R-AR*	12V 60W NON-ENCLOSED ELECTRONIC TRANSFORMERS	120V - 12V	20W	60W
EN-1275-R-AR*	12V 75W NON-ENCLOSED ELECTRONIC TRANSFORMERS	120V - 12V	20W	75W
EN-12100-R-AR*	12V 100W NON-ENCLOSED ELECTRONIC TRANSFORMERS	120V - 12V	60W	100W
EN-12150-R-AR*	12V 150W NON-ENCLOSED ELECTRONIC TRANSFORMERS	120V - 12V	60W	150W
EN-1260-RB-AR	12V 60W ENCLOSED ELECTRONIC TRANSFORMERS	120V - 12V	20W	60W
EN-1275-RB-AR	12V 75W ENCLOSED ELECTRONIC TRANSFORMERS	120V - 12V	20W	75W
EN-12100-RB-AR	12V 100W ENCLOSED ELECTRONIC TRANSFORMERS	120V - 12V	60W	100W
EN-12150-RB-AR	12V 150W ENCLOSED ELECTRONIC TRANSFORMERS	120V - 12V	60W	150W
EN-B12PY-AR	12V 250W ENCLOSED ELECTRONIC TRANSFORMERS	120V - 12V	100W	250W
EN-24150-R-AR	24V 150W ELECTRONIC TRANSFORMER	120V - 24V	60W	150W
EN-24150-RB-AR	24V ENCLOSED ELECTRONIC TRANSFORMER	120V - 24V	60W	150W
EN-B24PZ-AR	24V ENCLOSED ELECTRONIC TRANSFORMER	120V - 24V	100W	300W
EN-2460-RB2	24V ENCLOSED ELECTRONIC TRANSFORMER	120V - 24V	1W	60W
EN-24100-RB2	24V ENCLOSED ELECTRONIC TRANSFORMER	120V - 24V	1W	96W



Magnetic Transformer

SRT-300M-12V	12V REMOTE MAGNETIC TRANSFORMER	120V - 12V	n/a	300W
SRT-300M-24V	24V REMOTE MAGNETIC TRANSFORMER	120V - 24V	n/a	300W
SRT-500M-12V	12V REMOTE MAGNETIC TRANSFORMER	120V - 12V	n/a	2 x 250W
SRT-500M-24V	24V REMOTE MAGNETIC TRANSFORMER	120V - 24V	n/a	500W
SRT-600M-12V	12V REMOTE MAGNETIC TRANSFORMER	120V - 12V	n/a	2 x 300W
SRT-600M-24V	24V REMOTE MAGNETIC TRANSFORMER	120V - 24V	n/a	600W
SRT-600M2-12V	12V REMOTE MAGNETIC TRANSFORMER	120V - 12V	n/a	2 x 300W
SRT-1000M-12V	12V REMOTE MAGNETIC TRANSFORMER	120V - 12V	n/a	4 x 250W
SRT-1000M-24V	24V REMOTE MAGNETIC TRANSFORMER	120V - 24V	n/a	2 x 500W



WAC Lighting
www.waclighting.com
Phone (800) 526.2588 • Fax (800) 526.2585

Headquarters/Eastern Distribution Center
44 Harbor Park Drive • Port Washington, NY 11050
Phone (516) 515.5000 • Fax (516) 515.5050

Western Distribution Center
1750 S Archibald Avenue • Ontario, CA 91760
Phone (800) 526.2588 • Fax (800) 526.2585