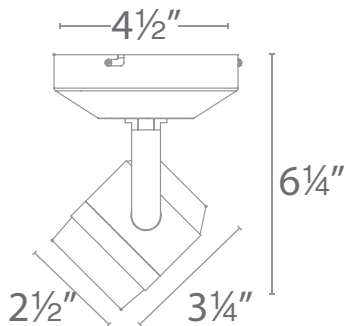


PALOMA - model: MO-LED512

Monopoint Luminaire

WAC LIGHTING

Responsible Lighting®



Fixture Type:

Catalog Number:

Project: _____

Location: _____

PRODUCT DESCRIPTION

Museum-quality LED luminaire with high performance optics

FEATURES

- Accommodates 1 filter lens or 1 accessory
- 365° horizontal rotation and 180° vertical aiming
- 50,000 hour rated life
- 5 year WAC Lighting product warranty

SPECIFICATIONS

Construction: Die-cast aluminum with cap ring.
Clear glass lens included.

Aiming: 365° horizontal rotation and 180° vertical aiming.
Spring lock to secure the aiming adjustment

Input: 120V-277V AC 50/60HZ

Dimming: Electronic low voltage (ELV) dimmer 100%-5% (120V only)

Finish: Powder coated

Standards: UL & cUL listed

ORDER NUMBER

Model	Beam	Color Temp	CRI	Lumens	CBCP	Finish
MO-LED512	S 19°	827 2700K	85	655	3070	BK Black WT White
		927 2700K	90	570	2755	
		830 3000K	85	700	3235	
		930 3000K	90	610	2900	
		835 3500K	85	700	3210	
	840 4000K	85	740	3430		
	N 24°	827 2700K	85	620	2465	BK Black WT White
		927 2700K	90	595	2280	
		830 3000K	85	740	2895	
		930 3000K	90	680	2580	
		835 3500K	85	735	2880	
	840 4000K	85	780	3070		
	F 36°	827 2700K	85	665	2470	BK Black WT White
		927 2700K	90	580	1465	
		830 3000K	85	725	1620	
930 3000K		90	620	1577		
835 3500K		85	720	1605		
840 4000K	85	765	1700			

MO-LED512 - - -

Example: MO-LED512S-927-WT

Accommodates one lens accessory or one glare control accessory

LENS ACCESSORIES

Amber	LENS-16-AMB
Blue	LENS-16-BLU
Green	LENS-16-GRN
Red	LENS-16-RED
Yellow	LENS-16-YEL
Frosted	LENS-16-FR
Spread	LENS-16-SPR
Beam Elongating	LENS-16-BEL

GLARE CONTROL ACCESSORIES

Honeycomb Louver	LENS-16-HCL
------------------	-------------

EXTENSIONS Sold as a complete unit

X6 6"	MOLED512	S N F	827	BK WT
X12 12"			927	
X18 18"			830	
X24 24"			930	
X36 36"			835	
			840	

Example: X12-MOLED512N930WT

WAC Lighting

www.waclighting.com
Phone (800) 526.2588 • Fax (800) 526.2585

Headquarters/Eastern Distribution Center

44 Harbor Park Drive • Port Washington, NY 11050
Phone (516) 515.5000 • Fax (516) 515.5050

Western Distribution Center

1750 Archibald Avenue • Ontario, CA 91760
Phone (800) 526.2588 • Fax (800) 526.2585