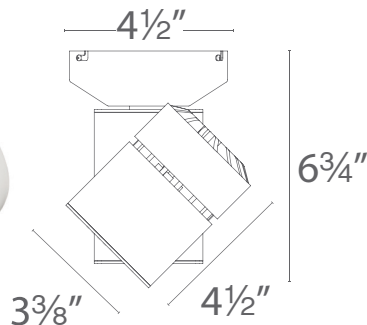


EXTERMINATOR II - model: MO-1035

Monopoint Luminaire

WAC LIGHTING

Responsible Lighting®



Fixture Type:

Catalog Number:

Project: _____

Location: _____

PRODUCT DESCRIPTION

Museum-quality LED luminaire with high performance optics

FEATURES

- Accommodates 1 filter lens or 1 accessory
- 365° horizontal rotation and 180° vertical aiming
- 60,000 hour rated life
- 5 year WAC Lighting product warranty

SPECIFICATIONS

Construction: Die-cast aluminum with removable front cap for easy change of lenses or accessories

Power Consumption: 35W

Input: 120V-277V AC 50/60HZ

Dimming: Electronic low voltage (ELV) dimmer 100%-5% (120V only)
0-10V 100% - 5% (120V - 277V)

Finish: Powder coated

Standards: UL & cUL listed

ORDER NUMBER

Model	Beam	Color Temp	CRI	Lumens	CBCP	Finish
MO-1035	N 20°	827	2700K	85	2487	8723
		927	2700K	90	2020	7069
		830	3000K	85	2652	9279
		930	3000K	90	2176	7517
		835	3500K	85	2773	9710
		840	4000K	85	2795	9748
	F 55°	827	2700K	85	2476	3409
		927	2700K	90	2029	2824
		830	3000K	85	2691	3700
		930	3000K	90	2185	3035
		835	3500K	85	2815	3873
		840	4000K	85	2828	3886

MO-1035 - -

Example: MO-1035N-927-WT

Accommodates one lens accessory and one glare control accessory

LENS ACCESSORIES

Amber	LENS-20-AMB
Blue	LENS-20-BLU
Green	LENS-20-GRN
Red	LENS-20-RED
Yellow	LENS-20-YEL
Frosted	LENS-20-FR
Spread	LENS-20-SPR
Beam Elongating	LENS-20-BEL

GLARE CONTROL ACCESSORIES

Cross Louver	LENS-20P-CRL-BK LENS-20P-CRL-WT
Snoot	LENS-20-SNOOT-BK LENS-20-SNOOT-WT

REFLECTORS

25°	SL-REF-BL18-N
55°	SL-REF-BL18-F

WAC Lighting

www.waclighting.com

Phone (800) 526.2588 • Fax (800) 526.2585

Headquarters/Eastern Distribution Center

44 Harbor Park Drive • Port Washington, NY 11050

Phone (516) 515.5000 • Fax (516) 515.5050

Western Distribution Center

1750 Archibald Avenue • Ontario, CA 91760

Phone (800) 526.2588 • Fax (800) 526.2585