

INSTALLATION INSTRUCTION

Volta 4.5" LED - Recessed Housing

R4S Series (Trim)

WAC LIGHTING
Responsible Lighting®

SAFETY INSTRUCTION

IMPORTANT: NEVER attempt any work without shutting off the electricity.

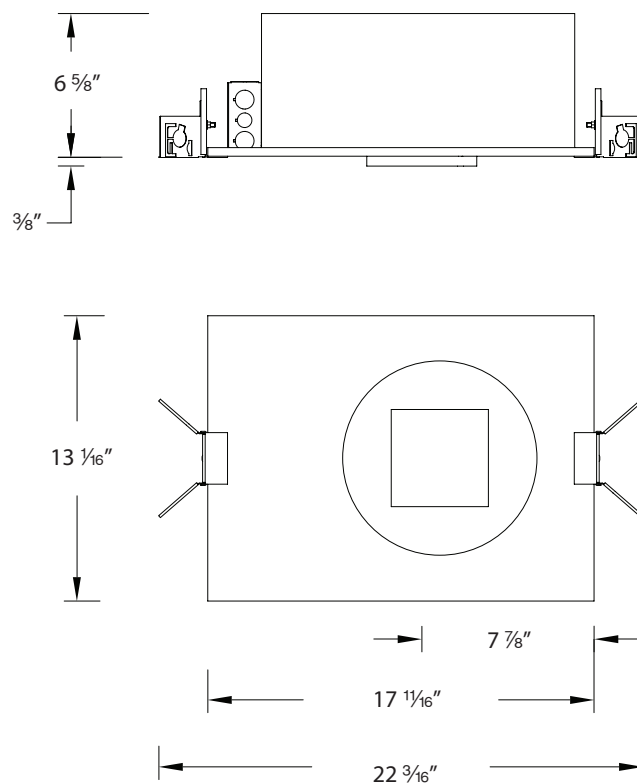
- Read all instructions before installing.
- System is intended for installation by a qualified electrician in accordance with the National Electrical Code and local regulations.
- Go to the main fuse box, or circuit breaker. Place the main power switch in the "OFF" position and unscrew the fuse(s) or switch "OFF" the circuit breaker switch(es) that control the power to the fixture or room that you are working on.
- Place the wall switch in the "OFF" position.

AVERTISSEMENT

IMPORTANT : Coupez l'électricité avant TOUTE manipulation.

- Lisez toutes les instructions avant d'installer.
- Système est destiné à être installé par un électricien qualifié en conformité avec le code national de l'électricité et les règlements locaux.
- Accédez au panneau central de disjoncteurs ou de fusibles de votre demeure et placez l'interrupteur principal en position d'arrêt (« OFF »).
- Placez l'interrupteur mural en position d'arrêt (« OFF »).

OVERALL HOUSING DIMENSION



SPECIFICATIONS

Input: 120-277V; 50/60 Hz

Installation: Non-IC for -36 model (36W)
IC for -25 model (25W)
IC for -15 model (15W)

Dimming: ELV or 0-10V

waclighting.com
Phone (800) 526.2588
Fax (800) 526.2585

Headquarters/Eastern Distribution Center
44 Harbor Park Drive
Port Washington, NY 11050

Central Distribution Center
1600 Distribution Ct
Lithia Springs, GA 30122

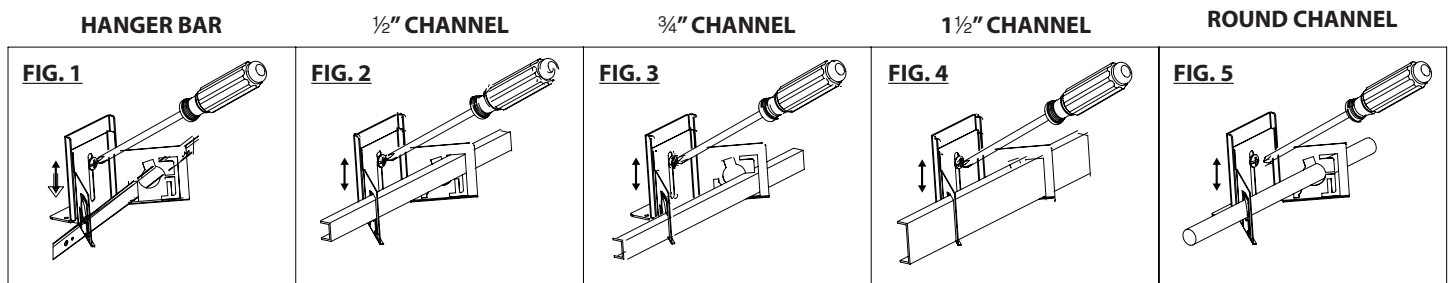
Western Distribution Center
1750 Archibald Avenue
Ontario, CA 91760

INSTALLATION INSTRUCTION

Volta 4.5" LED - Recessed Housing

R4S Series (Trim)

WAC LIGHTING
Responsible Lighting®



HOUSING INSTALLATION:

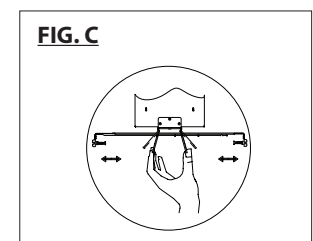
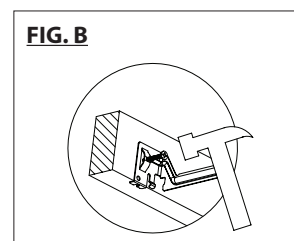
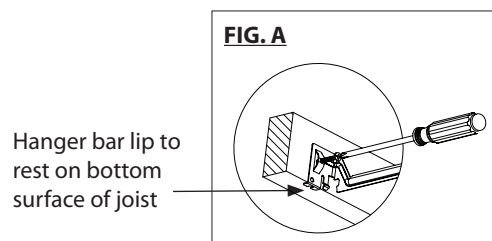
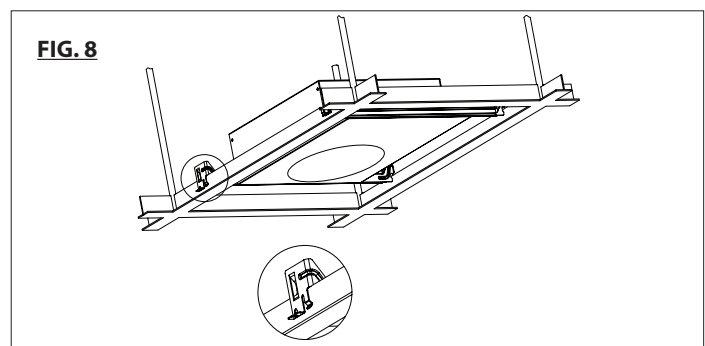
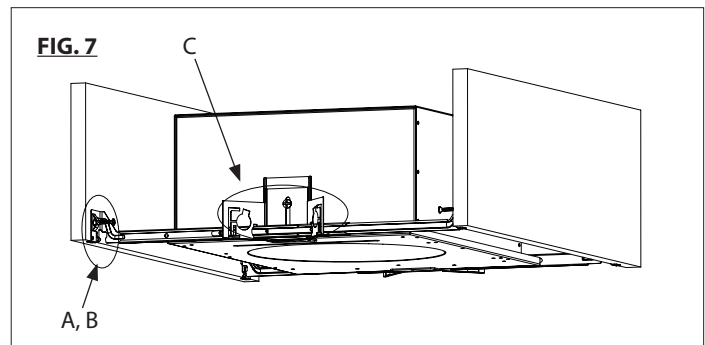
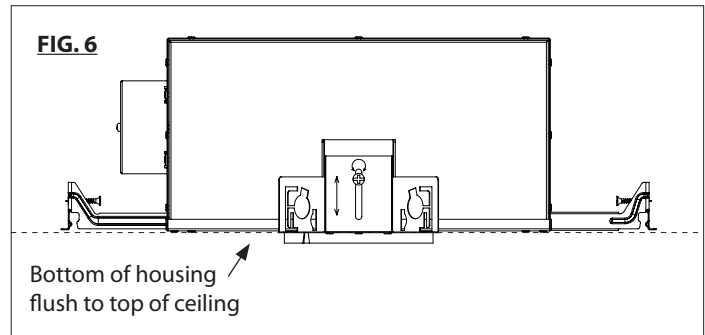
1. Housing features mounting bracket that can be used with hanger bars or various channel supports (See **FIG. 1-5**). Adjust the brackets to proper height by loosening the wing screw such that the bottom of housing is flush to top of finished ceiling plane (See **FIG. 6**). Retighten screws securely.

2. Pinch the two flanges of the brackets towards each other. Slide the male and female hanger bars or other channel supports through the appropriate hole in the brackets.

3. **A. For hanger bar installation on joists:**
Install the hanger bar and housing assembly such that the lip of the hanger bar rests on the bottom surface of the joist. Use a screw-driver or hammer to secure the "screw-nail" into the wood (See **FIG. 7**).

B. For hanger bar installation on grid:
Hanger bars are notched on the ends to fit over "T" bars in suspended ceilings. Support with tie wires (by others) to upper ceiling structure (See **FIG. 8**).

4. Pinch the adjustable bracket and slide the housing along the hanger bars to the desired position (See **FIG. C**). Release to secure the housing in place.



waclighting.com
Phone (800) 526.2588
Fax (800) 526.2585

Headquarters/Eastern Distribution Center
44 Harbor Park Drive
Port Washington, NY 11050

Central Distribution Center
1600 Distribution Ct
Lithia Springs, GA 30122

Western Distribution Center
1750 Archibald Avenue
Ontario, CA 91760

INSTALLATION INSTRUCTION

Volta 4.5" LED - Recessed Housing

R4S Series (Trim)

WAC LIGHTING
Responsible Lighting®

- Remove fixture junction box door and connect fixture wires to building wires: insert each supply wire into appropriate junction box connector. This fixture features electronic low voltage (ELV) or 0-10V dimming capabilities (See **FIG 9**).

To utilize ELV, wire black (line hot), white (line neutral) and green (ground) in accordance to dimmer specifications.

To utilize 0-10V dimming, wire purple (dim+), gray (dim-), black (line hot), white (line neutral) and green (ground) in accordance to dimmer specifications.

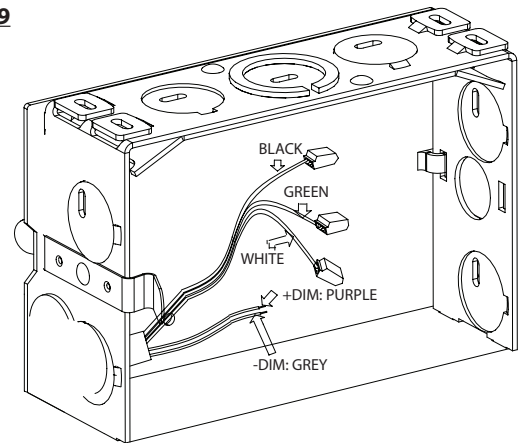
When not using a dimmer, connect black fixture wire to hot, white fixture wire to neutral and green fixture wire to ground. Leave all other wires capped individually.

Place all wiring and connectors back in junction box and replace the junction box's cover.

- Unlock the locking bars and adjust the angle of the trim mounting plate. Relock the locking bars once the mounting plate is in the desired position (See **FIG.10**)

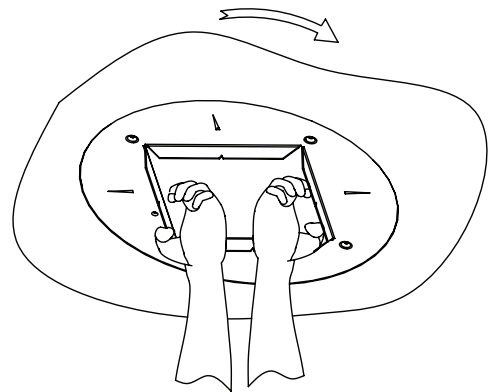
- Cut a 5 1/8" x 5 1/8" square cutout in the ceiling at the point of installation and install ceiling (See **FIG. 11**).
Note: Ceiling thickness table below:

FIG. 9



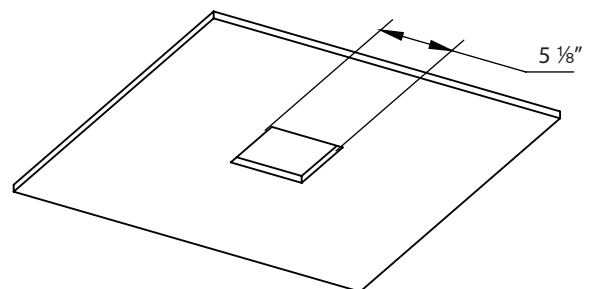
Black: Line Hot
Green: Ground
White: Line Neutral
Purple: 0-10V Dim+
Grey: 0-10V Dim-

FIG. 10



Unlock and adjust angle for trim mounting plate

FIG. 11



waclighting.com
Phone (800) 526.2588
Fax (800) 526.2585

Headquarters/Eastern Distribution Center
44 Harbor Park Drive
Port Washington, NY 11050

Central Distribution Center
1600 Distribution Ct
Lithia Springs, GA 30122

Western Distribution Center
1750 Archibald Avenue
Ontario, CA 91760

INSTALLATION INSTRUCTION

Volta 4.5" LED - Recessed Housing

R4S Series (Trim)

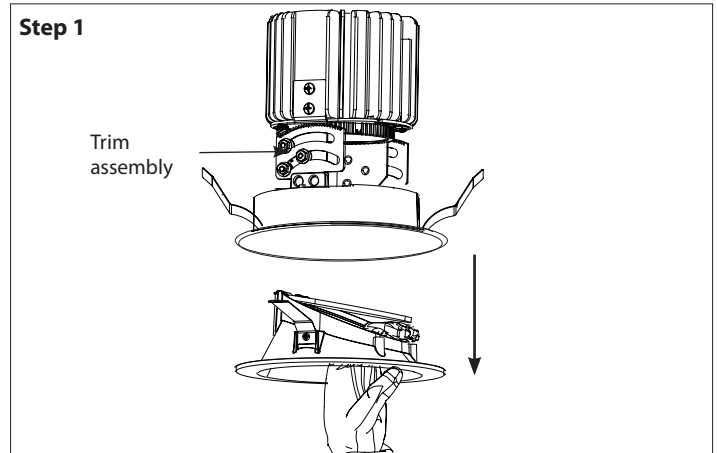
WAC LIGHTING

Responsible Lighting®

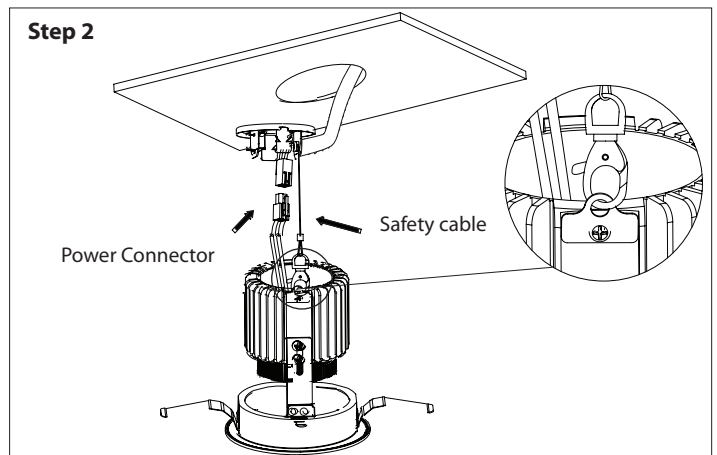
TRIM INSTALLATION:

Follow installation instructions included with appropriate trim to complete installation.
Below is generic trim install for representative purposes only.

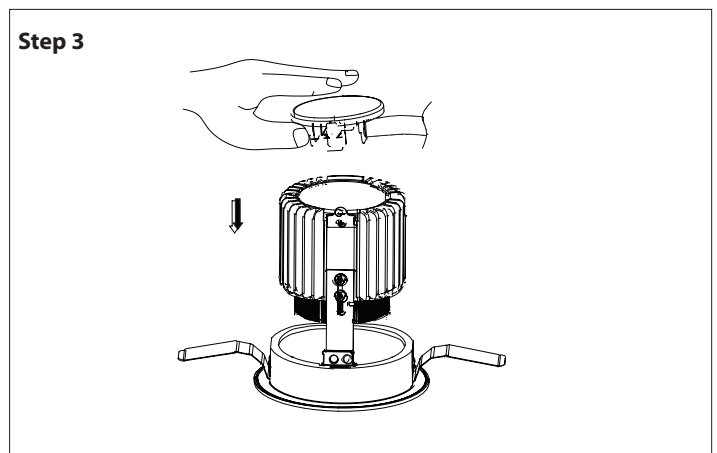
1. Remove trim from trim assembly.



2. Raise trim assembly to ceiling cutout and connect power connector and safety cable.



3. Install connector cap onto top of trim assembly, careful not to pinch power wiring.



waclighting.com
Phone (800) 526.2588
Fax (800) 526.2585

Headquarters/Eastern Distribution Center
44 Harbor Park Drive
Port Washington, NY 11050

Central Distribution Center
1600 Distribution Ct
Lithia Springs, GA 30122

Western Distribution Center
1750 Archibald Avenue
Ontario, CA 91760

INSTALLATION INSTRUCTION

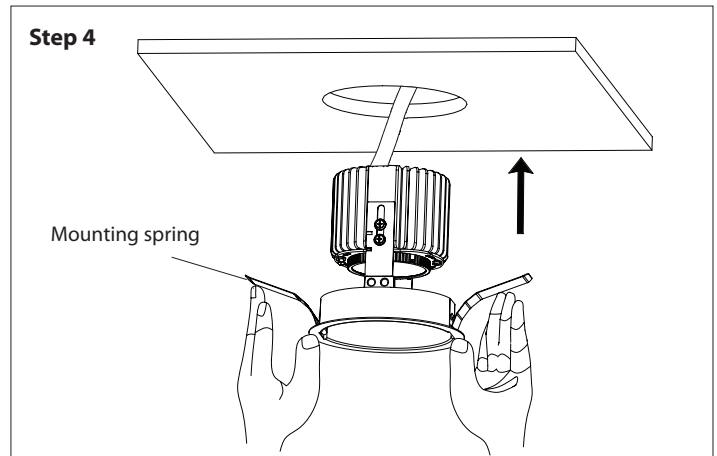
Volta 4.5" LED - Recessed Housing

R4S Series (Trim)

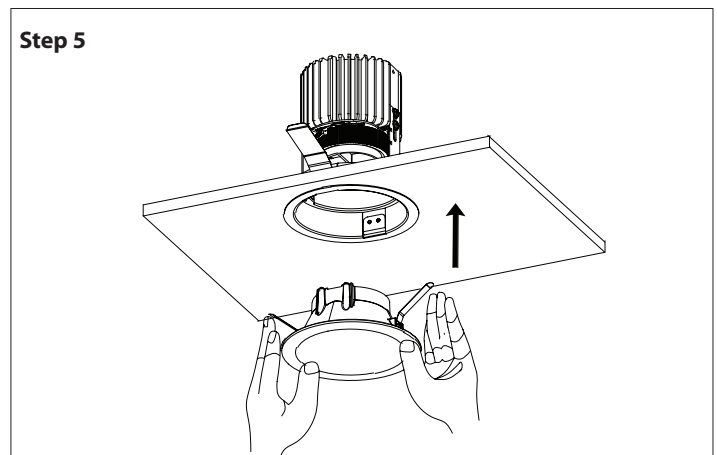
WAC LIGHTING

Responsible Lighting®

4. Fold trim assembly mounting springs inward and insert trim assembly into ceiling cutout. Be sure once installed, trim assembly is flush and secure.



5. Raise trim into trim assembly. For round trims be sure trim springs mount in appropriate slots in assembly.



waclighting.com
Phone (800) 526.2588
Fax (800) 526.2585

Headquarters/Eastern Distribution Center
44 Harbor Park Drive
Port Washington, NY 11050

Central Distribution Center
1600 Distribution Ct
Lithia Springs, GA 30122

Western Distribution Center
1750 Archibald Avenue
Ontario, CA 91760

INSTALLATION INSTRUCTION

Volta 4.5" LED - Remodel Housing

R4BRT-15, R4BRT-25, R4BRT-36

WAC LIGHTING
Responsible Lighting®

SAFETY INSTRUCTION

IMPORTANT: NEVER attempt any work without shutting off the electricity.

- Read all instructions before installing.
- System is intended for installation by a qualified electrician in accordance with the National Electrical Code and local regulations.
- Go to the main fuse box, or circuit breaker. Place the main power switch in the "OFF" position and unscrew the fuse(s) or switch "OFF" the circuit breaker switch(es) that control the power to the fixture or room that you are working on.
- Place the wall switch in the "OFF" position.

AVERTISSEMENT

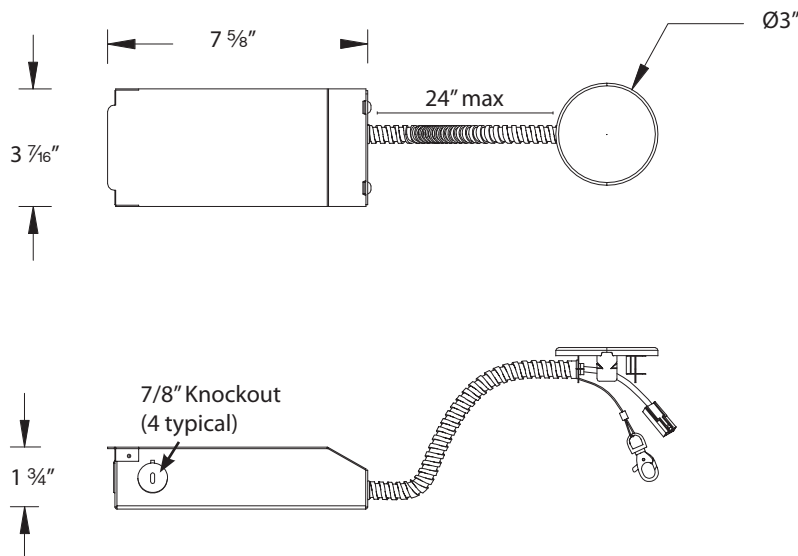
IMPORTANT : Coupez l'électricité avant TOUTE manipulation.

- Lisez toutes les instructions avant d'installer.
- Système est destiné à être installé par un électricien qualifié en conformité avec le code national de l'électricité et les règlements locaux.
- Accédez au panneau central de disjoncteurs ou de fusibles de votre demeure et placez l'interrupteur principal en position d'arrêt (« OFF »).
- Placez l'interrupteur mural en position d'arrêt (« OFF »).

OVERVIEW:

The housing is remodel NON-IC rated, and requires a trim for functionality. Check catalog for various trim options. The housing and trim are recommended to used with low voltage ELV or 0-10V dimmer.

OVERALL HOUSING DIMENSION



waclighting.com
Phone (800) 526.2588
Fax (800) 526.2585

Headquarters/Eastern Distribution Center
44 Harbor Park Drive
Port Washington, NY 11050

Central Distribution Center
1600 Distribution Ct
Lithia Springs, GA 30122

Western Distribution Center
1750 Archibald Avenue
Ontario, CA 91760

INSTALLATION INSTRUCTION

Volta 4.5" LED - Remodel Housing

R4BRT-15, R4BRT-25, R4BRT-36

WAC LIGHTING
Responsible Lighting®

HOUSING INSTALLATION:

- At the point of installation, cut a 5 1/8" round hole for a round trim or a 5 1/8" X 5 1/8" square hole for a square trim (See **FIG. 1**).
Note: Ceiling thickness table below:

Housing	Trim Model	Trim Description	Ceiling Thickness		
			1/2"	1"	1 1/2"
R4BRT* Remodel	R4RD2T, R4SD2T	Downlight	Yes	Yes	Yes
	R4RD1T, R4SD1T	Shallow Regressed Downlight	Yes	Yes	Yes
	R4RAT	Adjustable- Round	Yes, to 45°	Yes, to 35°	Yes, to 25°
	R4SAT	Adjustable- Square	Yes, to 45°	Yes, to 40°	Yes, to 30°
	R4RWT, R4SWT	Wall Wash	Yes	Yes	No

- Pull building supply wires through ceiling cutout and open fixture junction box door (See **FIG. 2**).

Remove desired housing knockout and feed building wires into housing using appropriate connector.

- Connect fixture wires to building wires: insert each supply wire into appropriate junction box connector. This fixture features electronic low voltage (ELV) or 0-10V dimming capabilities. To utilize ELV, wire black (line hot), white (line neutral) and green (ground) in accordance to dimmer specifications.

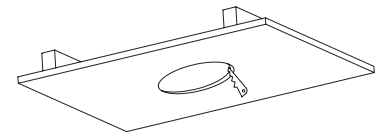
To utilize 0-10V dimming, wire purple (dim+), gray (dim-), black (line hot), white (line neutral) and green (ground) in accordance to dimmer specifications.

When not using a dimmer, connect black fixture wire to hot, white fixture wire to neutral and green fixture wire to ground. Leave all other wires capped individually (See **FIG. 3**)

- Place all wiring and connectors back in junction box and replace the junction box's cover (See **FIG. 4**).

FIG. 1

Round: Cut out Ø5 1/8"



Square: Cut out 5 1/8" x 5 1/8"

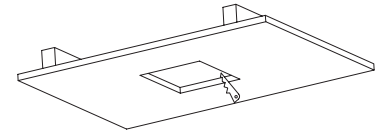
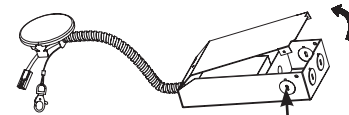
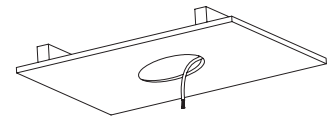


FIG. 2



Knockout

FIG. 3

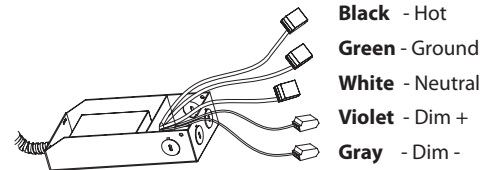
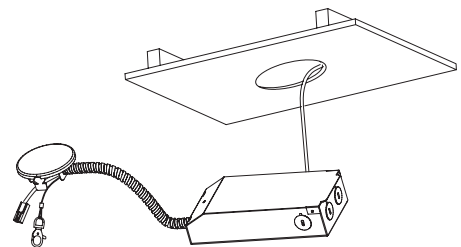


FIG. 4



INSTALLATION INSTRUCTION

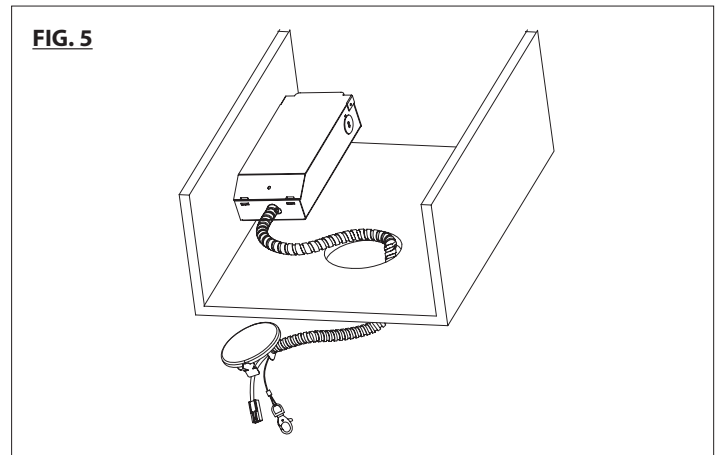
Volta 4.5" LED - Remodel Housing

R4BRT-15, R4BRT-25, R4BRT-36

WAC LIGHTING

Responsible Lighting®

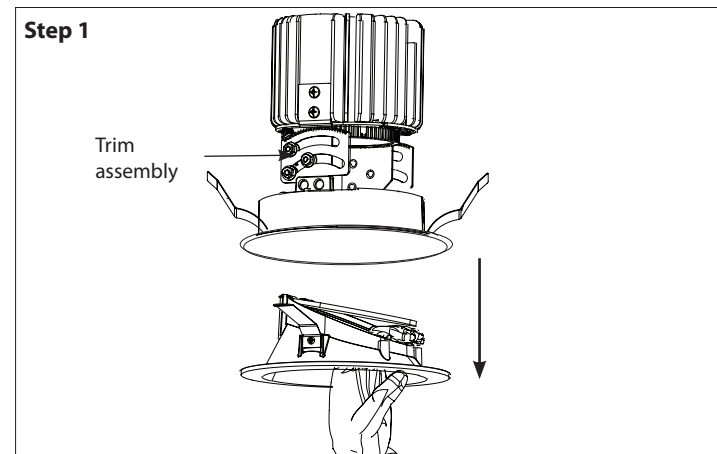
5. Guide junction box through the cut hole and secure appropriately (See **FIG. 5**).



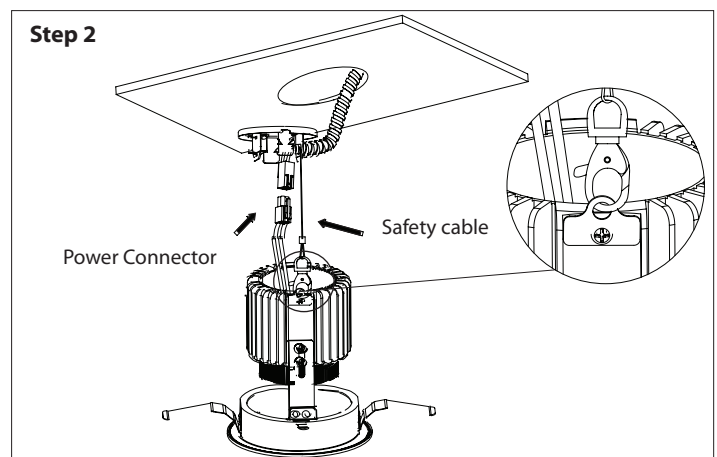
TRIM INSTALLATION:

Follow installation instructions included with appropriate trim to complete installation. Below is generic trim install for representative purposes only.

1. Remove trim from trim assembly.



2. Raise trim assembly to ceiling cutout and connect power connector and safety cable.



waclighting.com
Phone (800) 526.2588
Fax (800) 526.2585

Headquarters/Eastern Distribution Center
44 Harbor Park Drive
Port Washington, NY 11050

Central Distribution Center
1600 Distribution Ct
Lithia Springs, GA 30122

Western Distribution Center
1750 Archibald Avenue
Ontario, CA 91760

INSTALLATION INSTRUCTION

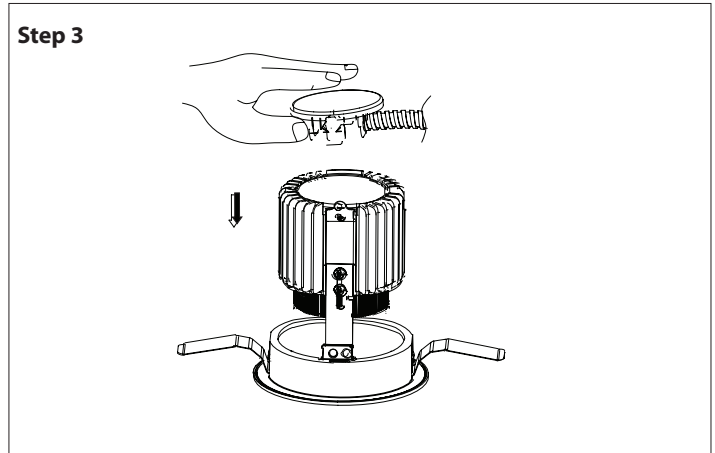
Volta 4.5" LED - Remodel Housing

R4BRT-15, R4BRT-25, R4BRT-36

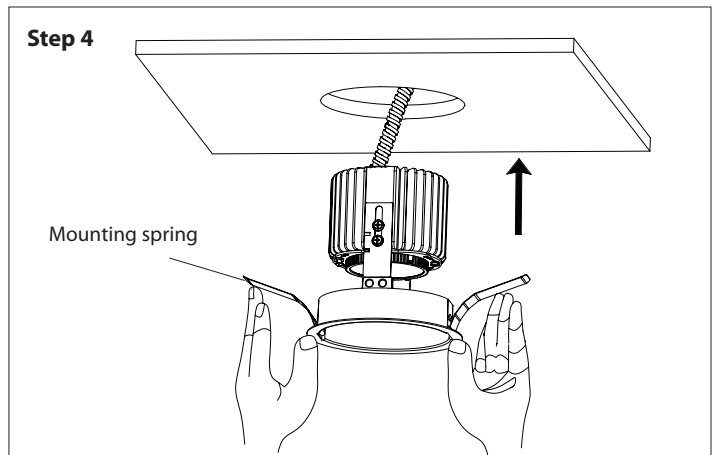
WAC LIGHTING

Responsible Lighting®

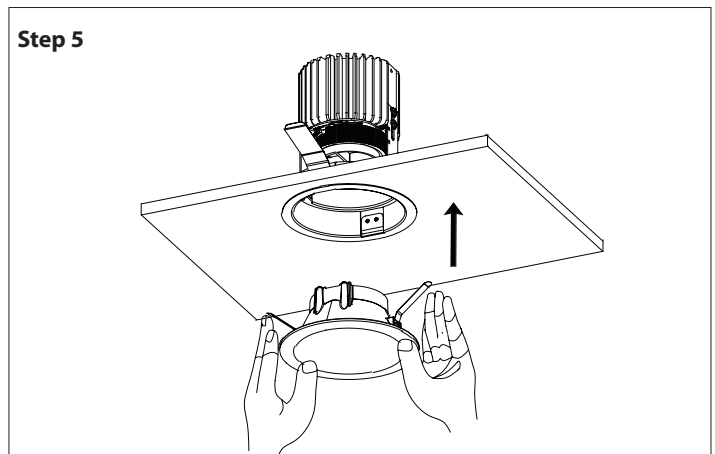
3. Install connector cap onto top of trim assembly, careful not to pinch power wiring.



4. Fold trim assembly mounting springs inward and insert trim assembly into ceiling cutout. Be sure once installed, trim assembly is flush and secure.



5. Raise trim into trim assembly. For round trims be sure trim springs mount in appropriate slots in assembly.



waclighting.com
Phone (800) 526.2588
Fax (800) 526.2585

Headquarters/Eastern Distribution Center
44 Harbor Park Drive
Port Washington, NY 11050

Central Distribution Center
1600 Distribution Ct
Lithia Springs, GA 30122

Western Distribution Center
1750 Archibald Avenue
Ontario, CA 91760