

# MECHANICAL TIMER

9000-MTI-WT

# WAC

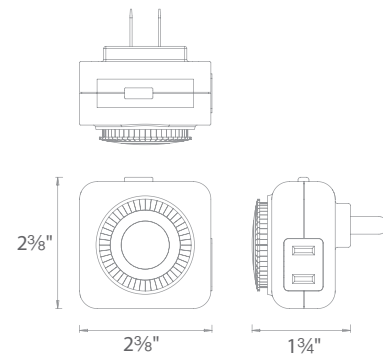
## LANDSCAPE LIGHTING

Fixture Type:

Catalog Number:

Project:

Location:



### PRODUCT DESCRIPTION

Plug-in Mechanical Timer.

### FEATURES

- Sets timer for every 30 minute interval
- Fits inside landscape magnetic transformer box
- 120VAC/60Hz/15A/1800W general purpose
- 15A Resistive/1250W tungsten
- 1/2HP motor load

### ORDERING NUMBER

**9000-MTI-WT**

*Mechanical Timer*

### 9000-MTI-WT

waclighting.com  
Phone (800) 526.2588  
Fax (800) 526.2585

Headquarters/Eastern Distribution Center  
44 Harbor Park Drive  
Port Washington, NY 11050

Central Distribution Center  
1600 Distribution Ct  
Lithia Springs, GA 30122

Western Distribution Center  
1750 Archibald Avenue  
Ontario, CA 91760