

INSTALLATION INSTRUCTION

Solorail™ - Fixture Kit

LM-K8811, LM-K8711, LM-K8611, LM-K8111, LM-K9415

WAC LIGHTING

Responsible Lighting®

IMPORTANT SAFETY INSTRUCTIONS:

- Read all instructions.
- Do not conceal or extend exposed conductors through a building wall.
- Do not install this system in wet locations.
- For low voltage exposed insulated conductor systems required by 30.1© do not install any part of this system less than 7 feet (2.2m) above the floor.
- To reduce the risk of fire and burns, do not install this lighting system where exposed bare conductors can be shorted or contact any conductive materials.
- To reduce the risk of fire and overheating, make sure all connections are tight.
- Do not install any luminaire closer than 6 inches (15.25cm) from any curtain, or similar combustible materials.
- Turn off electrical power before modifying the lighting system in any way. Intended for installation by a qualified electrician.
- Installation should be in accordance with NEC and local codes.

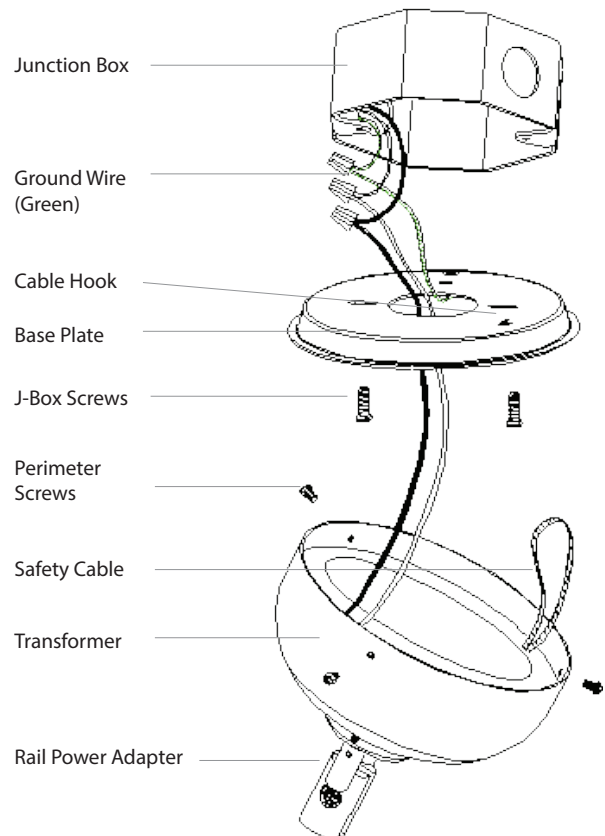
NOTE: Kits use electronic transformers. If dimming, an electronic low voltage dimmer is recommended. Not suitable for dimming in a 3-way switch. High frequency output cannot be read by most standard multi meters. Transformer operation may be confirmed by measuring input amps. Transformer requires a 100W minimum load.

INSTALLATION:

1. The junction box will support the entire weight of the transformer, make sure it is adequately supported.
2. Pass building wires through the center hole of the base plate, and mount base plate to junction box as shown.
3. Hook the safety cable to the hook built into the base plate. This frees the hands for wiring purposes.
4. Connect the transformer wires to like colored building wires (black to black & white to white).
5. Connect the green ground wire from the base plate to the building ground wire (may be green or bare wire).
6. Tuck all connections back into the junction box.
7. Raise the transformer to the base plate and secure with the three screws around the perimeter.

IF SYSTEM DOES NOT LIGHT ON FIRST POWER UP:

1. A short may be present, leaving power on will harm the transformer.
2. Turn off power, separate rail completely from transformer power adapter.
3. Remove lamps from all fixtures. Check for continuity between rail conductors. No continuity should be indicated. Continuity indicates the presence of a short circuit. Remove fixtures one by one to locate the shorted component. If necessary contact WAC tech support for additional assistance.



INSTALLATION INSTRUCTION

Solorail™ - Fixture Kit

LM-K8811, LM-K8711, LM-K8611, LM-K8111, LM-K9415

WAC LIGHTING

Responsible Lighting®

INSTALLING SOLORAIL:

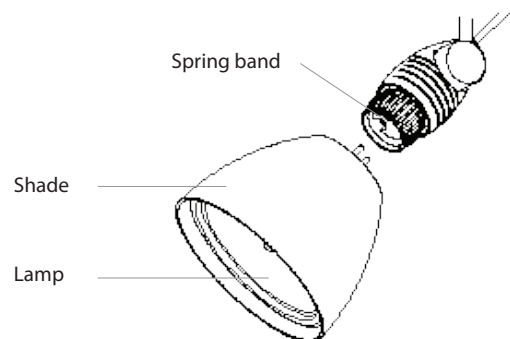
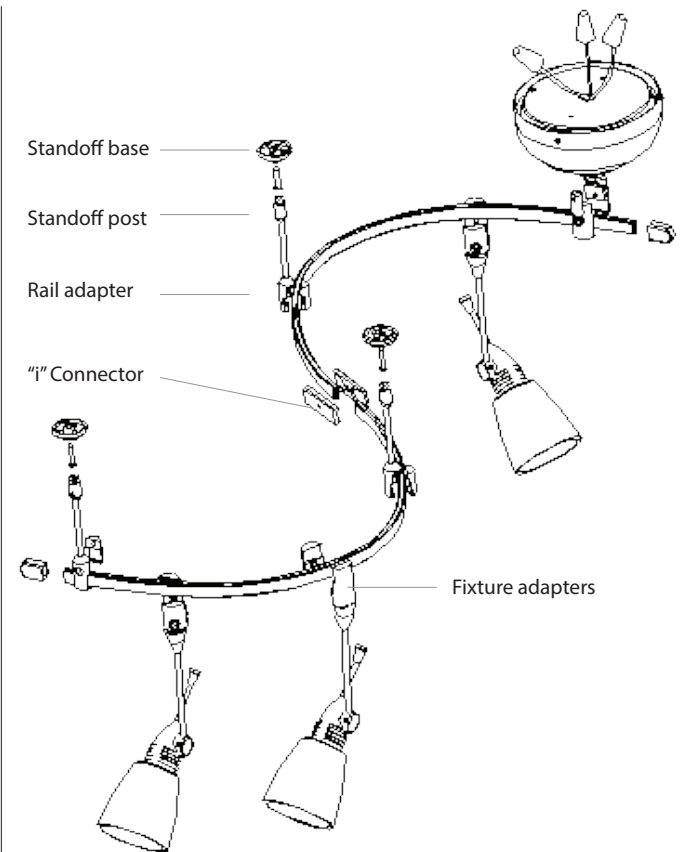
1. Pre bend rail to desired shape at floor level.
2. Use a plumb line to mark the location of ceiling standoffs.
3. Drill holes in the dry wall, insert ceiling anchors, and then standoff bases.
4. Install standoff posts with rail adapters. Twist clock wise to tighten.
5. Loosen the set screw in the rail adapter, so that there is sufficient clearance to slip the rail between the two halves.
6. Place individual sections of rail in the rail adapters. Place rail in the power adapter of the transformer.
7. Install "I" connectors between rails then tighten all connectors and adapters.

INSTALLING FIXTURES:

8. Loosen the screw of the fixture adapter and slip over the rail, then tighten.
9. If the screw comes completely out be sure to re-install with the insulating washer behind the screw head.

INSTALLING LAMP & SHADE:

1. Place the lamp inside the shade so the two pins protrude through the back. Insert the lamp into the fixture by aligning the pins with the socket holes, and gently pushing until lamp seats.
2. At the same time push the shade over the spring band until it seats against the fixture.
3. Use an 12V MR16-G (glass covered lamp) 50 watt max.



WAC Lighting
www.waclighting.com
Phone (800) 526.2588 • Fax (800) 526.2585

Headquarters/Eastern Distribution Center
44 Harbor Park Drive • Port Washington, NY 11050
Phone (516) 515.5000 • Fax (516) 515.5050

Western Distribution Center
1750 Archibald Ave • Ontario, CA 91761
Phone (800) 526.2588 • Fax (800) 526.2585