

INSTALLATION INSTRUCTION

Tesla 3" LED - IC New Construction Housing

HR-3LED-H18D1*, HR-3LED-H18D*

WAC LIGHTING
Responsible Lighting®

SAFETY INSTRUCTION

IMPORTANT: NEVER attempt any work without shutting off the electricity.

- Read all instructions before installing.
- System is intended for installation by a qualified electrician in accordance with the National Electrical Code and local regulations.
- Go to the main fuse box, or circuit breaker. Place the main power switch in the "OFF" position and unscrew the fuse(s) or switch "OFF" the circuit breaker switch(es) that control the power to the fixture or room that you are working on.
- Place the wall switch in the "OFF" position.

CAUTION:

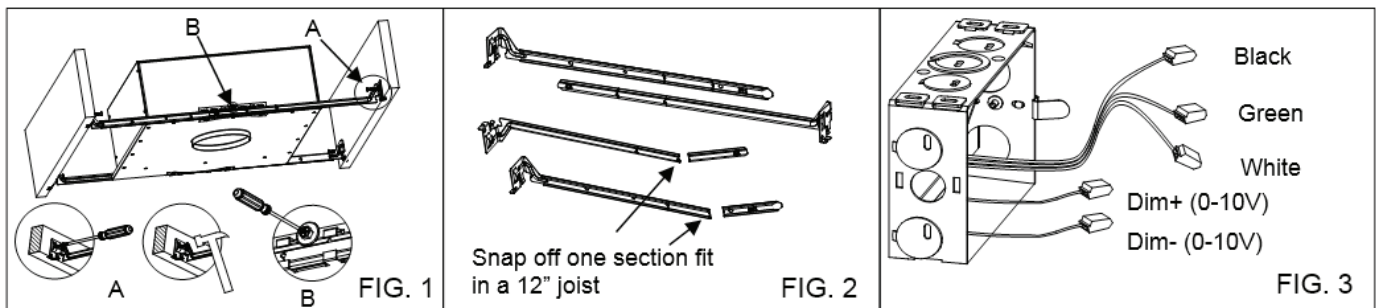
All parts must be used as indicated in these instructions. Do not substitute any parts, leave parts out, or use any parts that are worn out or broken. Failure to follow this instruction could invalidate the ETL/CETL listing of this fixture.

OVERVIEW:

Housing is new construction IC, AIRTIGHT. Housing requires a trim for finished look. Check catalog for various trims choices.

HOUSING INSTALLATION:

1. Install housing using two hanger bar provided, align the bottom of the hanger bar with the bottom of the wood joist, secure the "screw-nail" on each end by screw-driver or by hammer(See FIG.1 detail A).Slide fixture along hanger bar into desired location, use locking screws to secure (See FIG.1 detail B).
2. To shorten hanger bars to fit in a 12" joist, snap off one section of the hanger bars (See FIG.2).
3. Remove spring latched junction box cover and connect fixture wires to building wires: insert each supply wire into appropriate junction box connector. Connect black fixture wire to hot, white fixture wire to neutral and green fixture wire to ground (as Fig.3). Place all wiring and connectors back in junction box and replace the junction box's cover.
4. When installing in drywall, cut a hole 4 5/8" in the drywall. Note: 3/4" inch maximum ceiling thickness.
5. Connect power for trim to housing, depress trim spring clips and push the trim assembly up until the trim ring is flush to the ceiling (as Fig.4, Fig.5 and Fig.6).



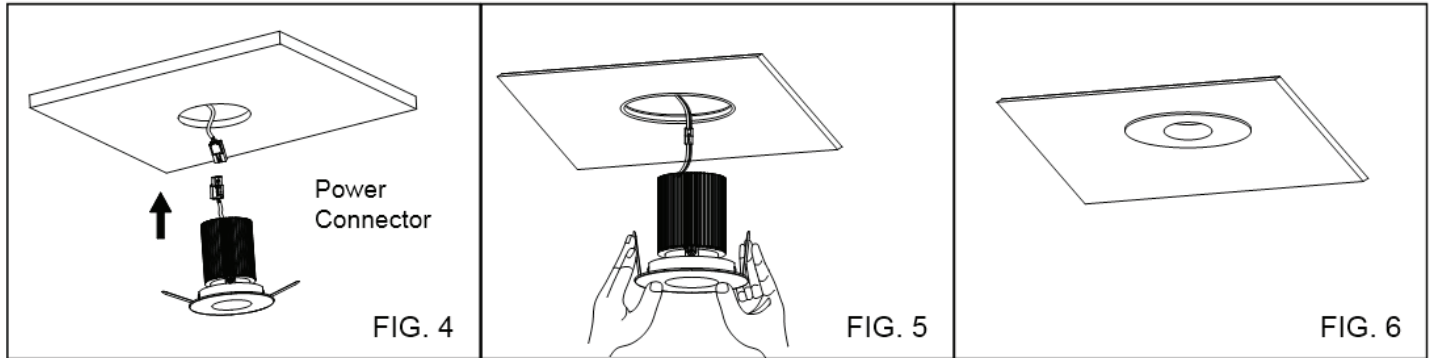
WAC Lighting
www.waclighting.com
Phone (800) 526.2588 • Fax (800) 526.2585

Headquarters/Eastern Distribution Center
44 Harbor Park Drive • Port Washington, NY 11050
Phone (516) 515.5000 • Fax (516) 515.5050

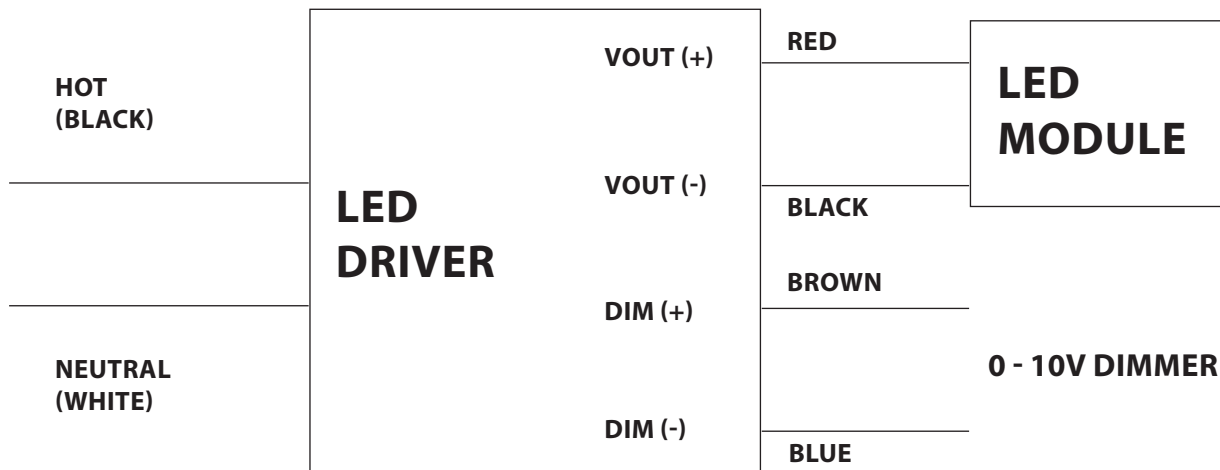
Western Distribution Center
1750 Archibald Ave • Ontario, CA 91761
Phone (800) 526.2588 • Fax (800) 526.2585

INSTALLATION INSTRUCTION
Tesla 3" LED - IC New Construction Housing
 HR-3LED-H18D1*, HR-3LED-H18D*

WAC LIGHTING
 Responsible Lighting®



WIRE DIMMER



COMPLETING THE INSTALLATION:

To prevent moisture from entering the outlet box and causing a short, use clear caulking (i.e. indoor/outdoor silicone sealant) to outline the outside of fixture plate where it meets the wall. Leave some space at bottom to allow moisture to escape.

WAC Lighting
 www.waclighting.com
 Phone (800) 526.2588 • Fax (800) 526.2585

Headquarters/Eastern Distribution Center
 44 Harbor Park Drive • Port Washington, NY 11050
 Phone (516) 515.5000 • Fax (516) 515.5050

Western Distribution Center
 1750 Archibald Ave • Ontario, CA 91761
 Phone (800) 526.2588 • Fax (800) 526.2585