

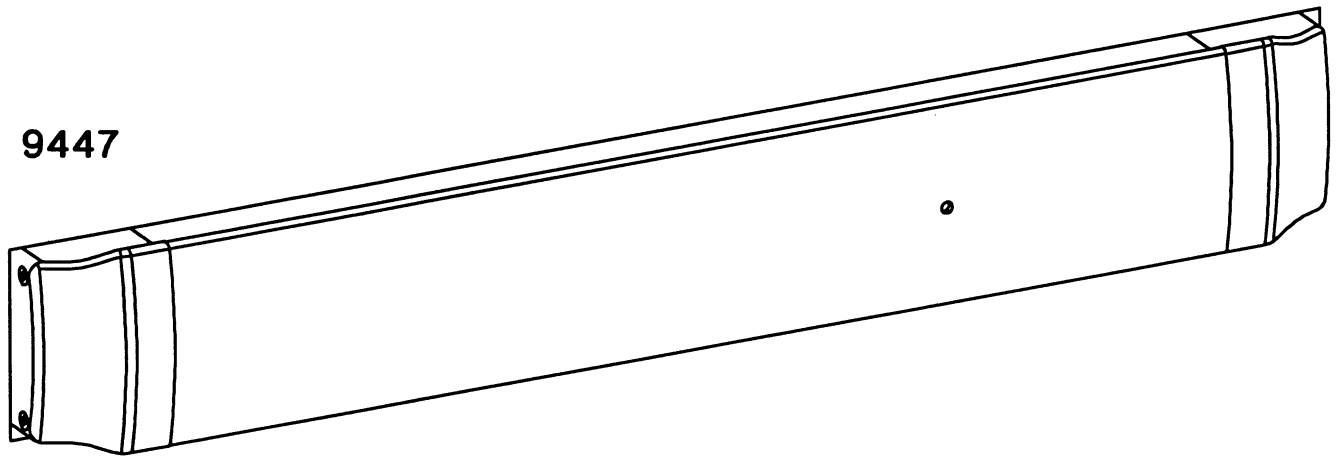
# VON DUPRIN

## PARTS MANUAL

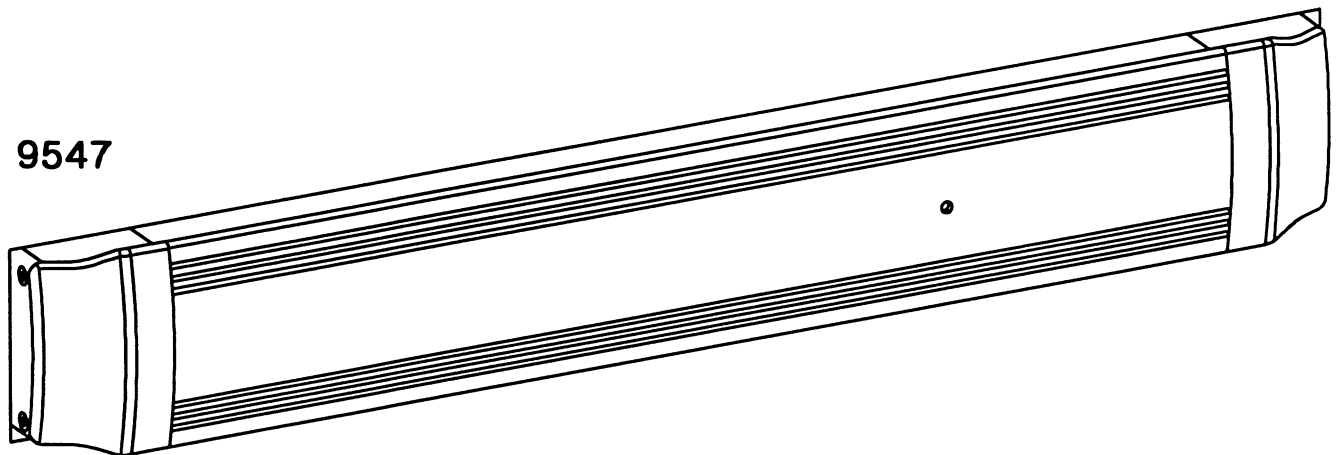
JULY 1999

### 94/9547 SERIES RECESSED EXIT DEVICES

9447



9547



# INDEX

---

**94/9547 Concealed Vertical Rod Devices (Panic)**  
Basic Device ..... 4  
Vertical Rods & Latch Cases ..... 8

Variations to the Basic Device:  
EL (Electric Latch Retraction)..... 13

**94/9547 Concealed Vertical Rod Devices (Fire)**  
Basic Device ..... 6  
Vertical Rods & Latch Cases ..... 10  
LBR (Less Bottom Rod) Fire Latch Kit..... 12

Variations to the Basic Device:  
EL (Electric Latch Retraction)..... 13

**General Information**  
How to Order ..... 2  
Finishes ..... 3  
Outside Trim Functions ..... 3  
Strikes..... 3

# INTRODUCTION

---

This Manual contains a listing of replaceable parts and assemblies for the 94/9547 Panic and Fire Recessed Exit Devices. (94 Series and 95 Series devices are almost identical. The 95 Series has a grooved pushpad; the 94 Series has a smooth pushpad .)

# HOW TO ORDER

---

Some parts are sold separately. Other items are available as part of an assembly. For the best possible service when ordering replacement parts or assemblies, please provide the following information:

- Part or Assembly number
- Description
- Quantity needed
- Finish desired (if available finished)
- Date of original purchase, if known

To find out the name of your local Von Duprin distributor or sales representative, contact:

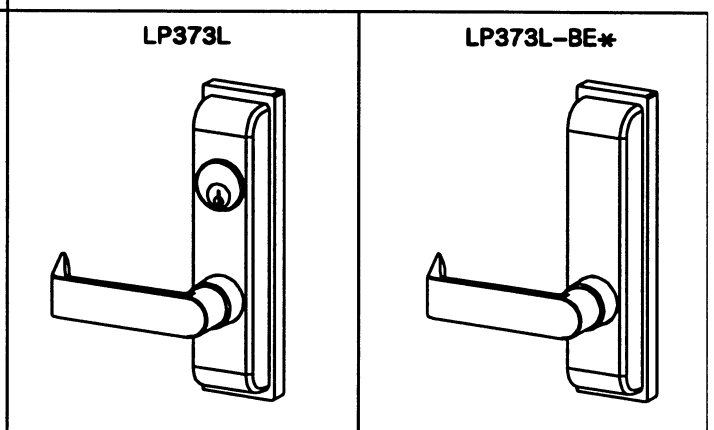
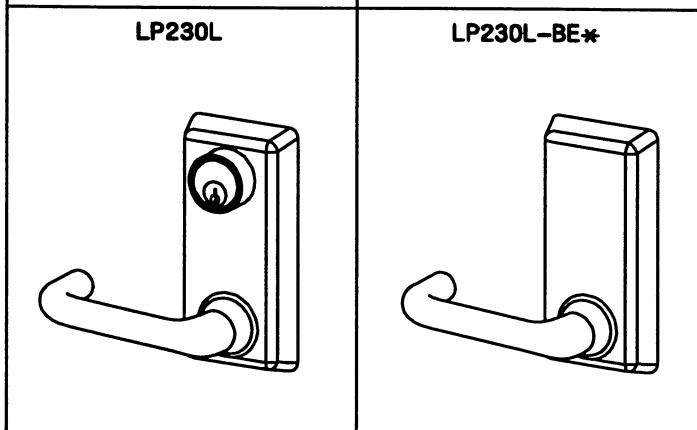
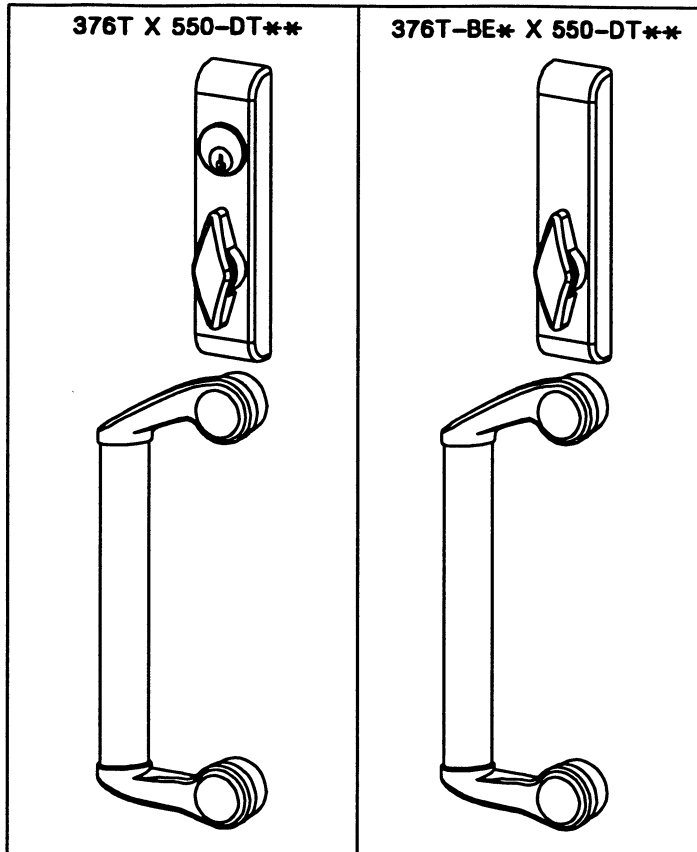
Von Duprin Division  
Ingersoll-Rand Company  
2720 Tobey Drive  
Indianapolis, Indiana 46219  
Phone: (800) 999-0408  
Fax: (800) 999-0328

# PART NUMBER CHANGES

---

This manual reflects the product as sold in July 1999. Because of changes to the product and/or manufacturing process, part numbers can change.

## OUTSIDE TRIM FUNCTIONS

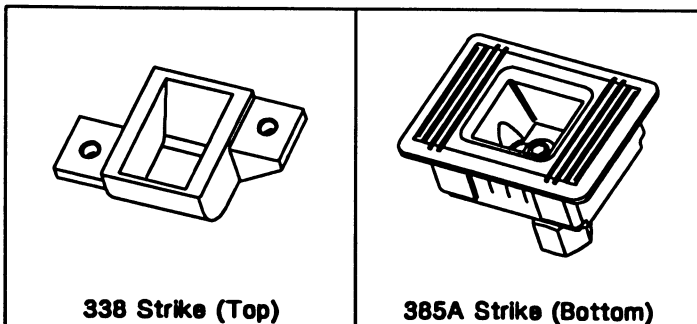


\* "BE" (Blank Escutcheon) no cylinder used - lever or knob always active  
 \*\* "DT" (Dummy Trim) rigid lever or knob for pull operation

## 94/95 SERIES FINISHES

U.S. Std. Reference	BHMA Reference	Description
US3	605	Polished Brass
US4	606	Dull Brass
US10	612	Dull Bronze
US26	625	Polished Chrome
US26D	626	Dull Chrome
US28	628	Anodized Alum. (Clear)
313AN	710	Anodized Alum. (313) Dark Bronze

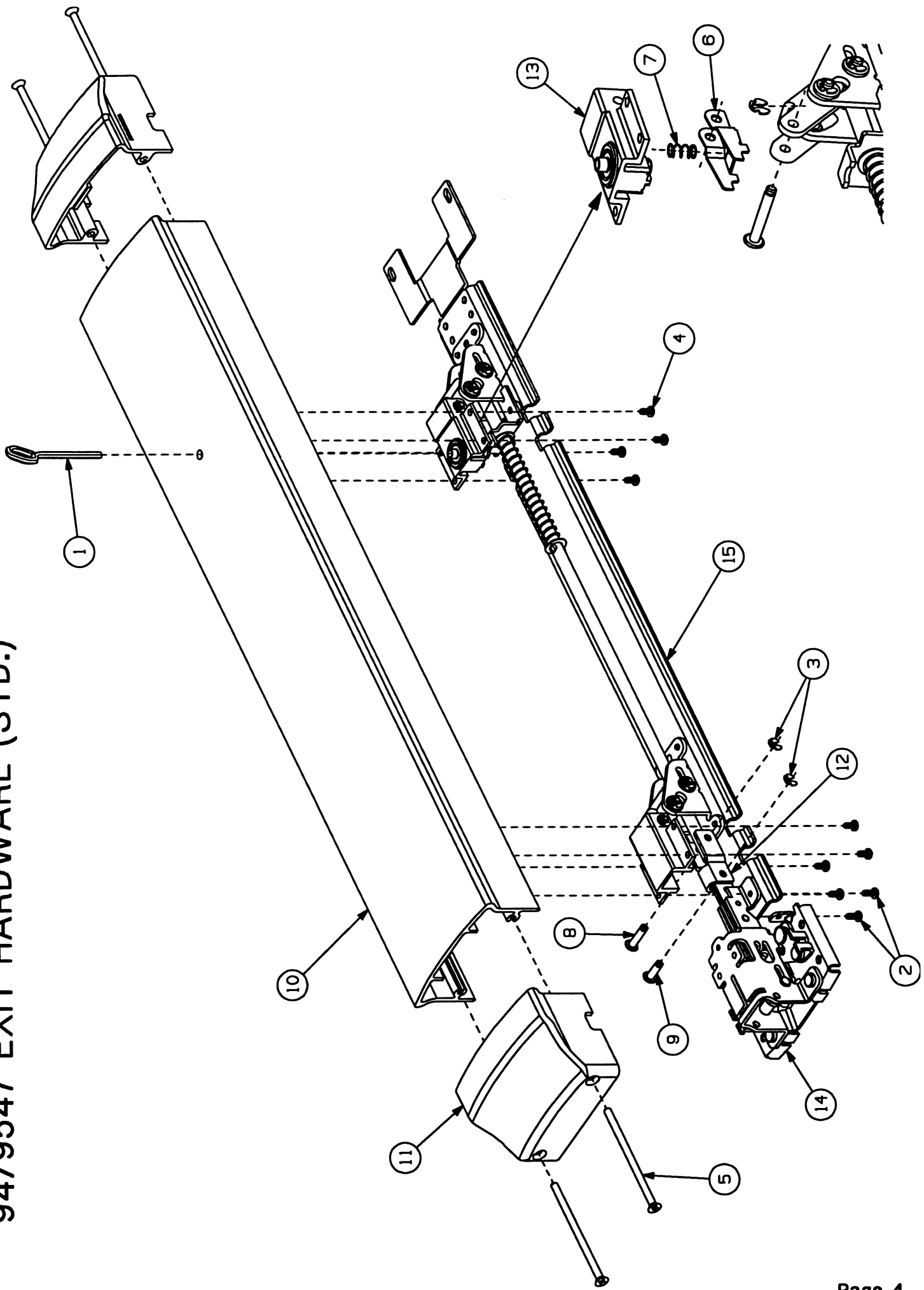
## STANDARD STRIKES



## OPTIONAL STRIKE



# 94/9547 EXIT HARDWARE (STD.)



# 94/9547 EXIT HARDWARE (STD.)

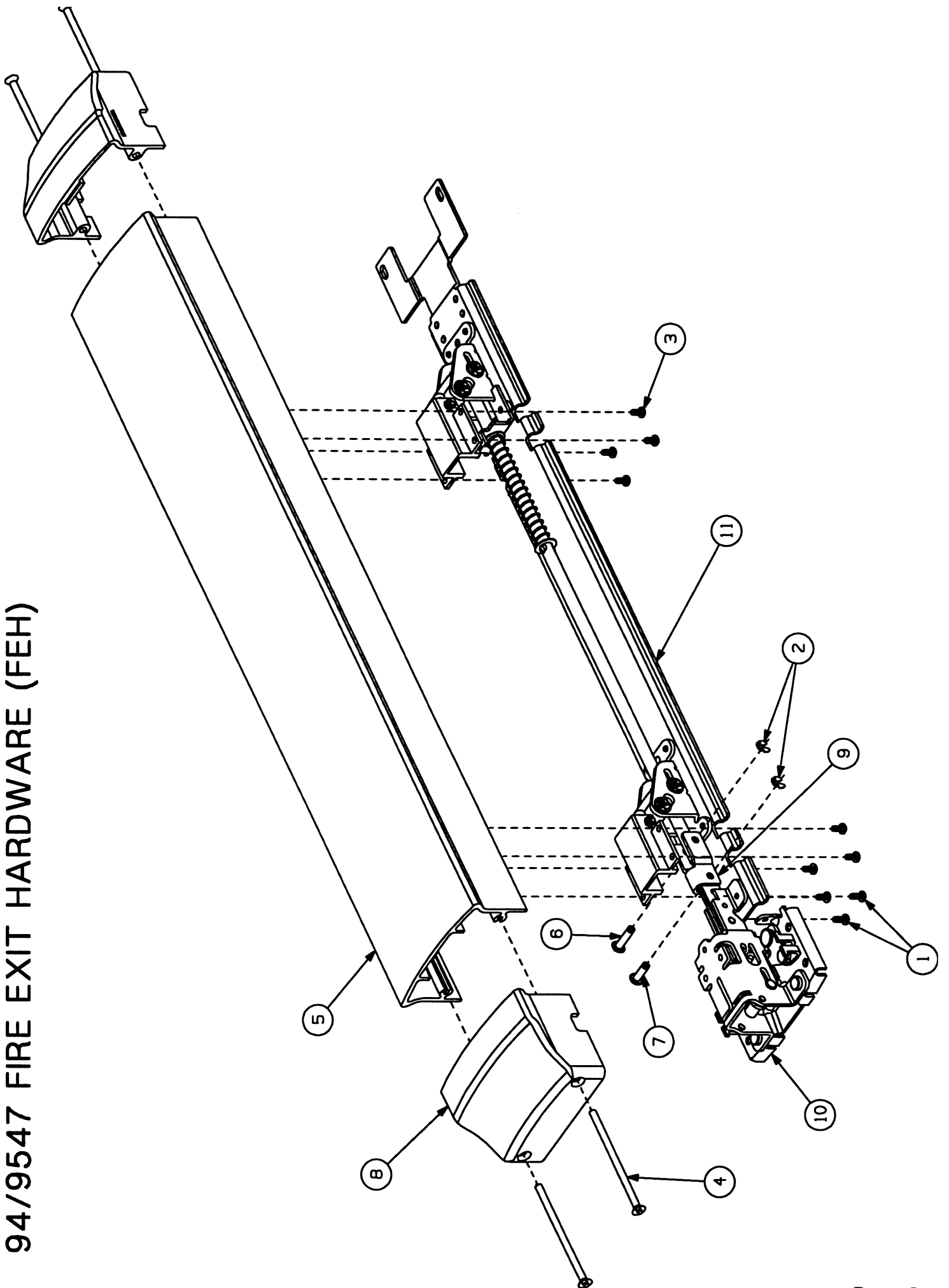
ITEM NO.	QTY	PART NO.	DESCRIPTION	FINISH
1	1	090085	227 Dog Key 5/32" Hex (Pack of 10)	
2	2	963712	8-32 X 3/8" PPHMS Thd. Forming	
3	2	964066	Retaining Ring	
4	8	964081	8-32 x 5/16" PPHMS	
5	4	964501	10-24 X 3-1/2" PFHMS	X
6	1	971659	Dogging Clip	
7	1	971664	Dogging Clip Spring	
8	1	971706	Baseplate Link Pin	
9	1	971708	Center Case Link Pin	
10	1	971709	9547 Pushpad - Std. (Grooved) for US10,26	X
10	1	971710	9447 Pushpad - Std. (Smooth) for US3,26	X
10	1	971763	9547 Pushpad - Std. (Grooved) for US4,10,26D,28,313AN	X
10	1	971764	9447 Pushpad - Std. (Smooth) for US4,10,26D,28,313AN	X
11	2	971711	94/9547 End Cap (622 Std. Finish)	X
12	1	971712	Main Control Link	
13	1	BRKT.131	94/9547 Dogging Bracket Sub-Assembly	
14	1	CASE.107	94/9547 Center Case Assembly	
15	1	PLATE.111	94/9547 Baseplate Assembly - Std.	

X DESIGNATES FINISHED ITEMS AND FINISH MUST BE SPECIFIED WHEN ORDERING

**NOTES:**

- 1) THE SAME FINISH SHOULD BE SPECIFIED FOR ITEMS 5 & 11
- 2) ITEMS 13 & 15 ARE NOT FOR FIELD CONVERSIONS

# 94/9547 FIRE EXIT HARDWARE (FEH)



# 94/9547 FIRE EXIT HARDWARE (FEH)

---

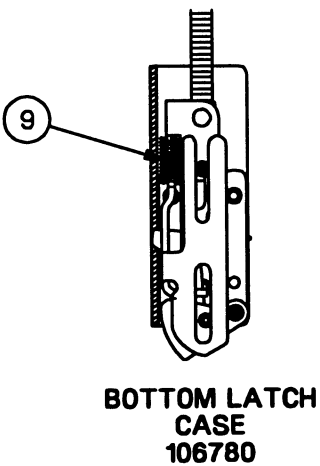
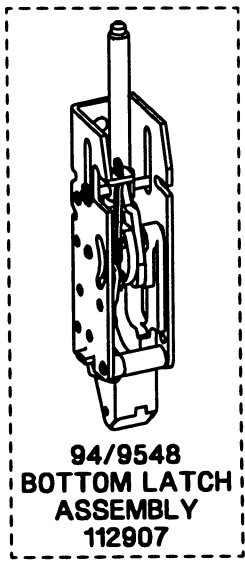
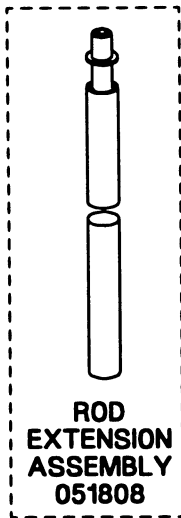
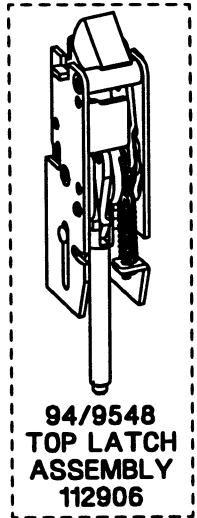
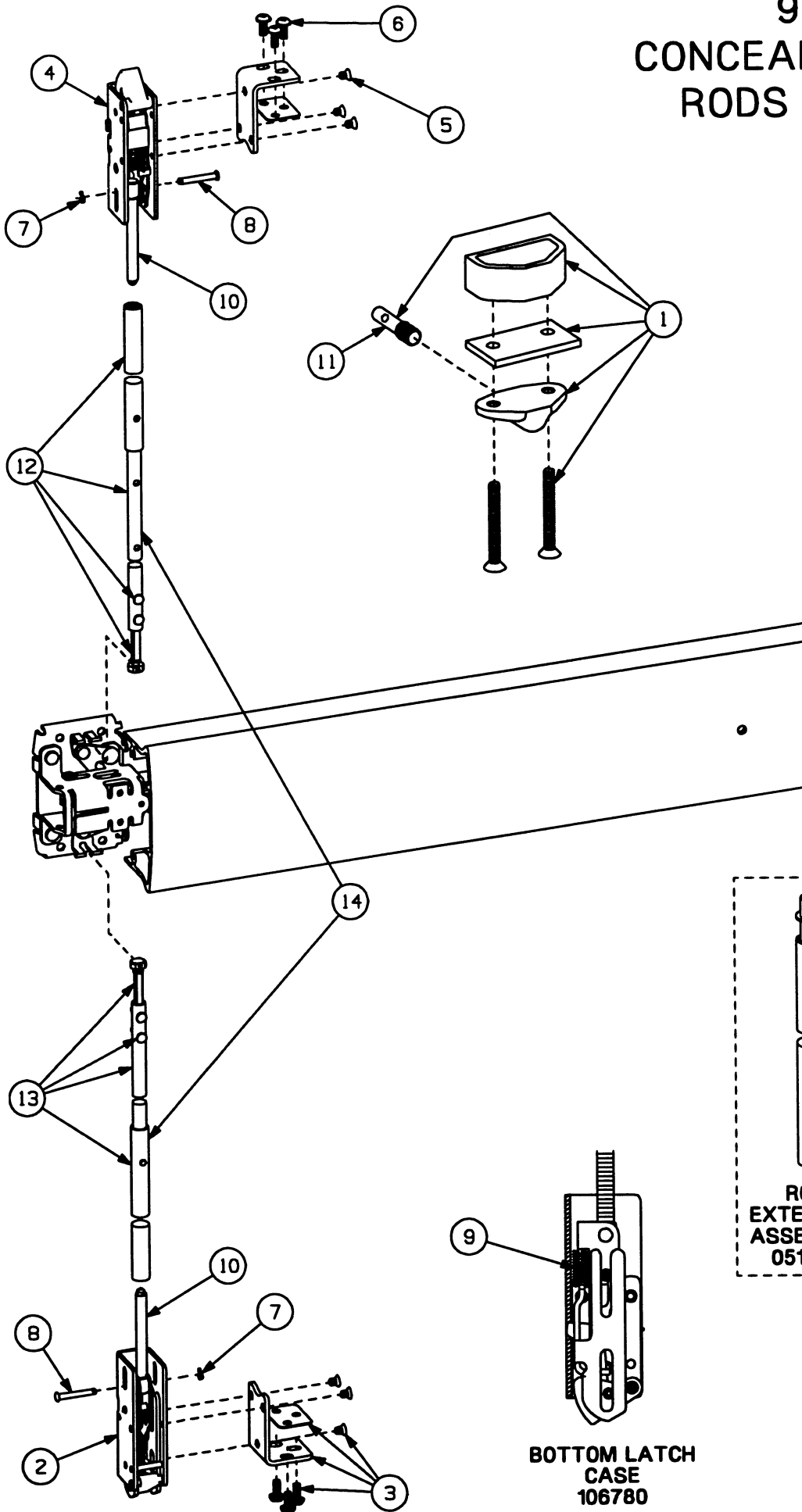
ITEM NO.	QTY	PART NO.	DESCRIPTION	FINISH
1	2	963712	8-32 X 3/8" PPHMS Thd. Forming	
2	8	964066	Retaining Ring	
3	8	964081	8-32 x 5/16" PPHMS	
4	4	964501	10-24 X 3-1/2" PFHMS	X
5	1	971655	9547 Pushpad - FEH (Grooved) for US3,26	X
5	1	971656	9447 Pushpad - FEH (Smooth) for US3,26	X
5	1	971765	9547 Pushpad - FEH (Grooved) for US4,10,26D,28,313AN	X
5	1	971766	9447 Pushpad - FEH (Smooth) for US4,10,26D,28,313AN	X
6	1	971706	Baseplate Link Pin	
7	1	971708	Center Case Link Pin	
8	2	971711	94/9547 End Cap (622 Std. Finish)	X
9	1	971712	Main Control Link	
10	1	CASE.107	94/9547 Center Case Assembly	
11	1	PLATE.117	94/9547 Baseplate Assembly - FEH	

**X DESIGNATES FINISHED ITEMS AND FINISH MUST BE SPECIFIED WHEN ORDERING**

**NOTES:**

- 1) THE SAME FINISH SHOULD BE SPECIFIED FOR ITEMS 4 & 8
- 2) ITEM 11 IS NOT FOR FIELD CONVERSION

# 94/9547 CONCEALED VERTICAL RODS & LATCHES



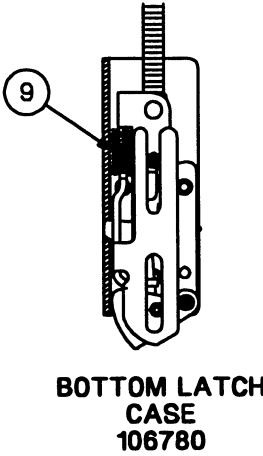
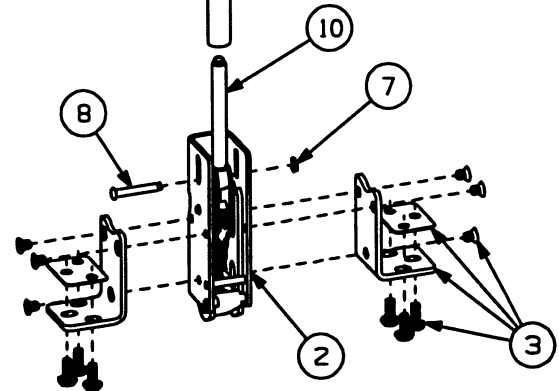
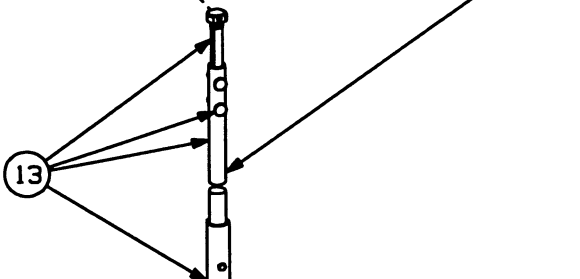
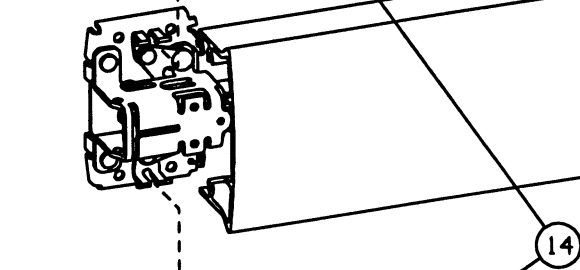
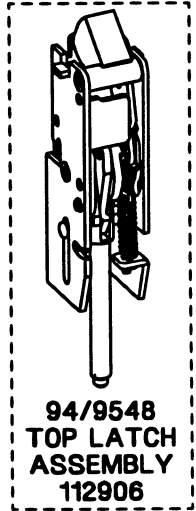
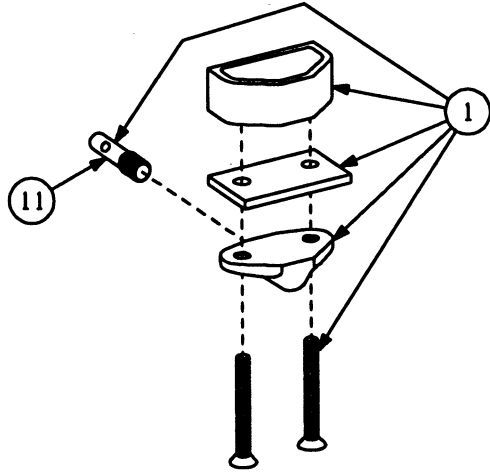
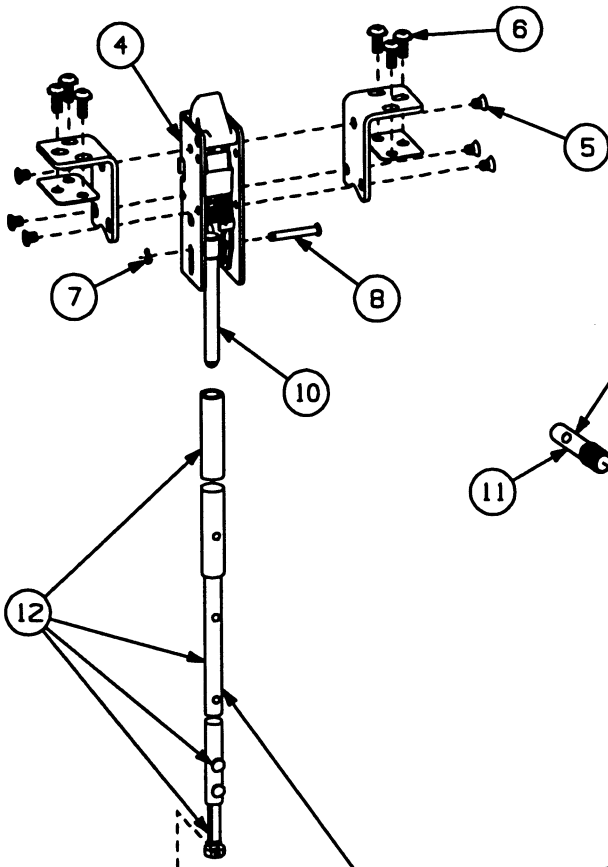


# 94/9547 CONCEALED VERTICAL RODS & LATCHES

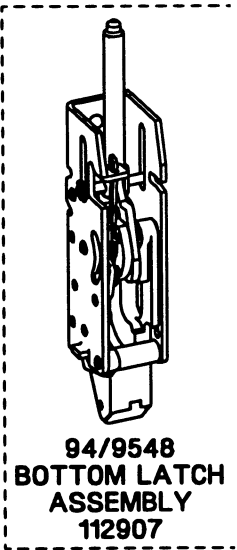
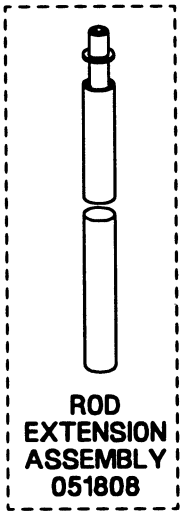
ITEM NO.	QTY	PART NO.	DESCRIPTION	FINISH
1	1	106222	Ratchet Release Assembly	X
2	1	106780	Bottom Latch Case	
3	2	109324	Latch Mtg. Bracket Assy	
4	1	109759	Top Latch Case	
5	12	963128	Latch Bracket Mounting Screw (Latch)	
6	12	963155	Latch Bracket Mounting Screw (Door)	
7	2	964085	Retaining Ring	
8	2	967448	Latch Link Pin	
9	1	967826	Bolt Return Spring	
10	2	969252	Rod Connecting Screw	
11	1	971584	Ratchet Release Screw	
12	1	RODASY.121	94/9547 Top Rod Assembly 6'8"-8'4"	
13	1	RODASY.122	94/9547 Adj. Bottom Rod Assembly	
14	1	RODASY.123	94/9547 Rod Set 6'8"-8'4"	

**X DESIGNATES FINISHED ITEMS AND FINISH MUST BE SPECIFIED WHEN ORDERING**

# 94/9547 (FEH) CONCEALED VERTICAL RODS & LATCHES



**BOTTOM LATCH  
CASE  
106780**



# 94/9547 (FEH) CONCEALED VERT. RODS & LATCHES

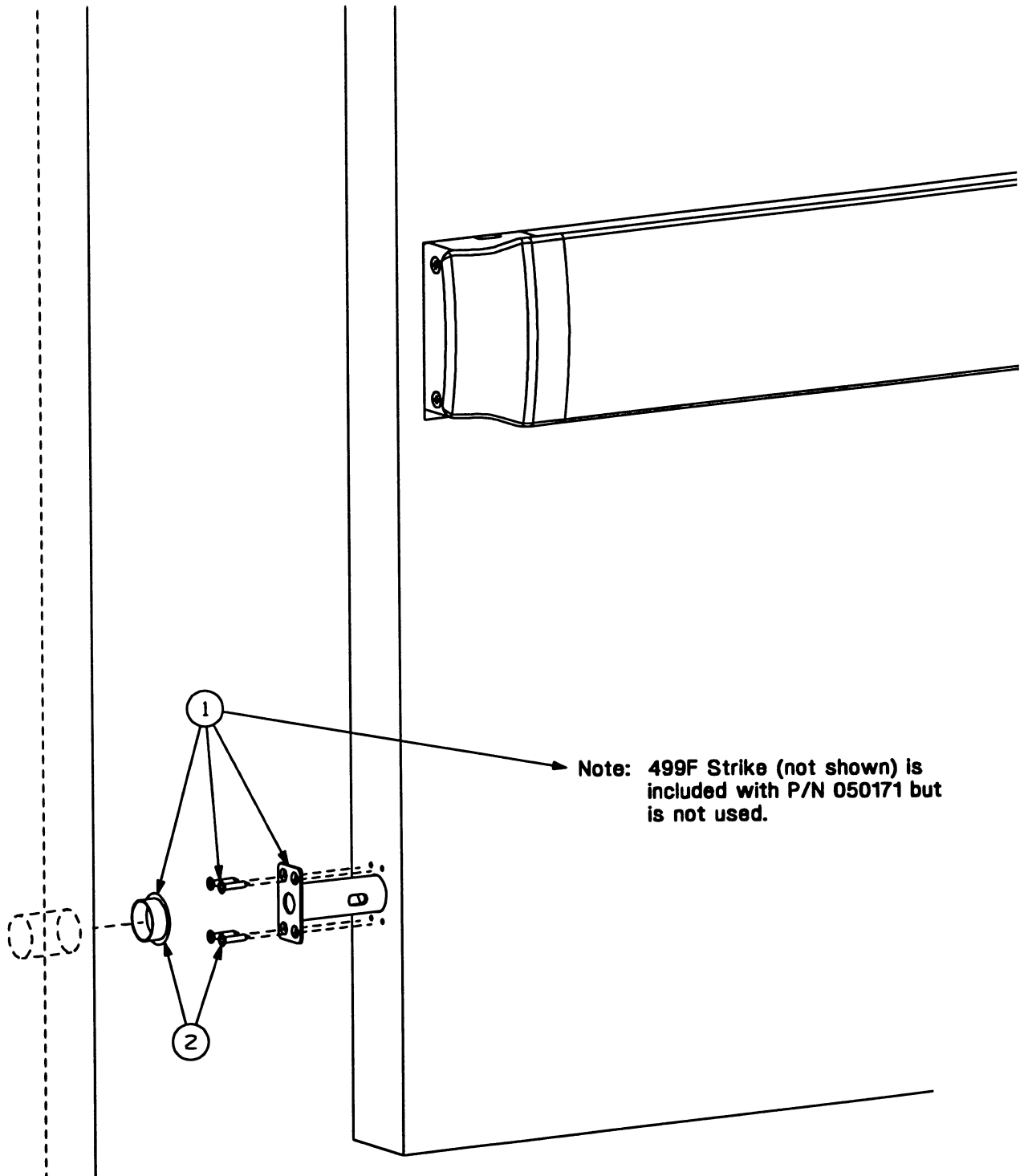
ITEM NO.	QTY	PART NO.	DESCRIPTION	FINISH
1	1	106222	Ratchet Release Assembly	X
2	1	106780	Bottom Latch Case	
3	4	109324	Latch Mtg. Bracket Assy	
4	1	109759	Top Latch Case	
5	12	963128	Latch Bracket Mounting Screw (Latch)	
6	12	963155	Latch Bracket Mounting Screw (Door)	
7	2	964085	Retaining Ring	
8	2	967448	Latch Link Pin	
9	1	967826	Bolt Return Spring	
10	2	969252	Rod Connecting Screw	
11	1	971584	Ratchet Release Screw	
12	1	RODASY.121	94/9547 Top Rod Assembly 6'8"-8'4"	
13	1	RODASY.122	94/9547 Adj. Bottom Rod Assembly	
14	1	RODASY.123	94/9547 Rod Set 6'8"-8'4"	

**X DESIGNATES FINISHED ITEMS AND FINISH MUST BE SPECIFIED WHEN ORDERING**

# 94/9547 LBR (LESS BOTTOM ROD) FIRE LATCH KIT

ITEM NO.	QTY	PART NO.	DESCRIPTION	FINISH
1	1	050171	LBR Fire Latch/Strike Kit	
2	1	900973	LBR Strike Plug/Screw Package	

X DESIGNATES FINISHED ITEMS AND FINISH MUST BE SPECIFIED WHEN ORDERING



# 94/9547 – EL (STD. & FEH) ELECTRIC LATCH RETRACTION OPTION

ITEM NO.	QTY	PART NO.	DESCRIPTION	FINISH
1	1	110388	EL 6' Cable and Connector	
2	1	110741	Potted Circuit Breaker (EL Solenoid)	
3	1	964059	#6-32 x 3/8" SHCS	
4	1	964061	#4-40 x 3/16" Socket Set Screw	
5	1	971702	Solenoid Plunger	
6	1	971703	94/9547 EL Solenoid Assembly	
7	1	PLATE.118	94/9547 Std. Baseplate Assembly - EL	
7	1	PLATE.119	94/9547 FEH Baseplate Assembly - EL	
8	1	RODASY.124	94/9547 EL Dogging Rod Assembly	

**X DESIGNATES FINISHED ITEMS AND FINISH MUST BE SPECIFIED WHEN ORDERING**

**NOTE: ITEM 7 IS NOT FOR FIELD CONVERSION**

