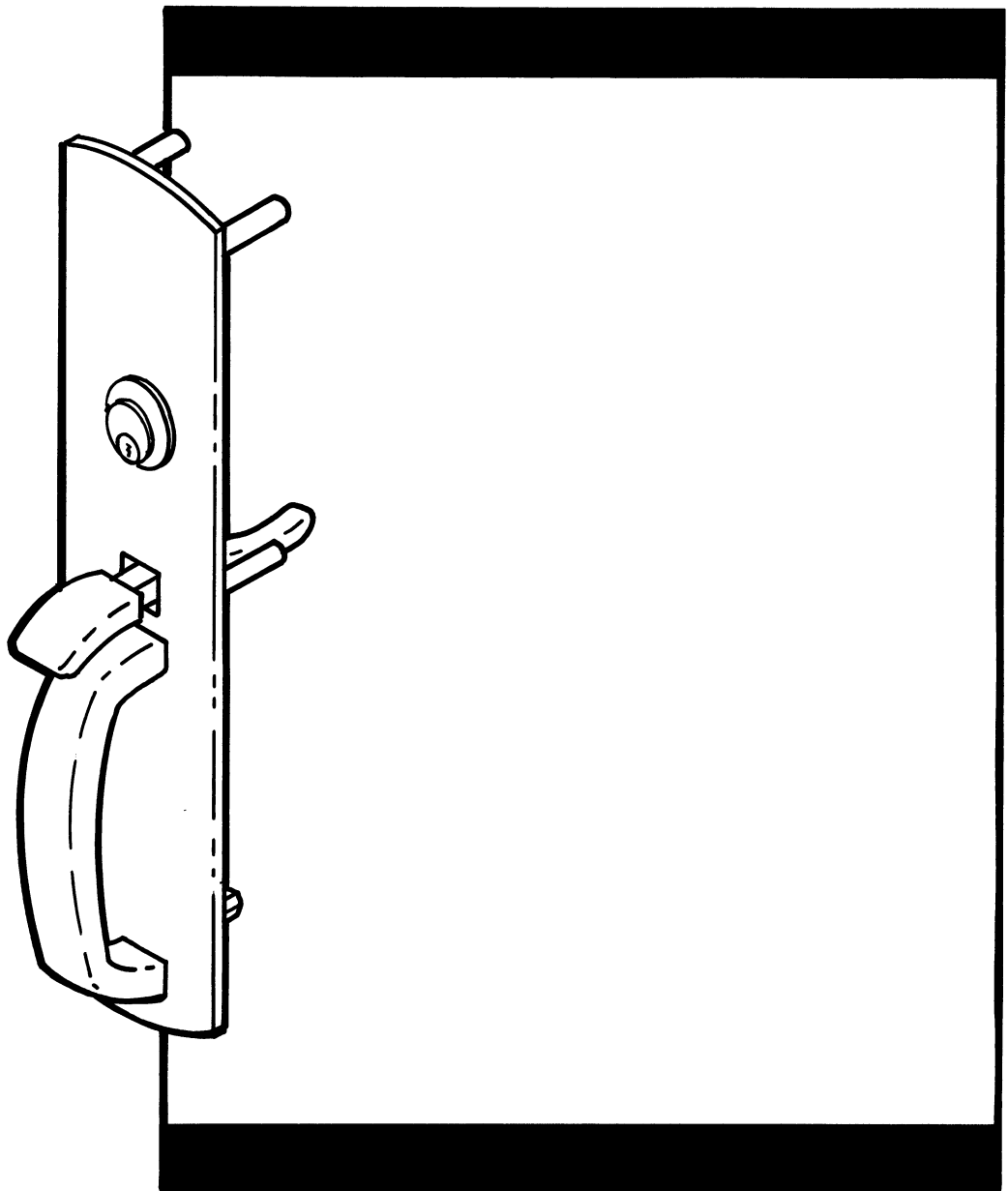


VON DUPRIN

PARTS MANUAL

880 Series Trim



Index

Device Features	2
Mounting Screw Pkgs.....	2
Parts List—EO & DT	3
Parts List—NL	4
Parts List—K	5
Parts List—K-BE	5
Parts List—K-DT	6
Parts List—K-Rigid	6
Parts List—TP & TP-BE	7

Trim in this Manual:

880 EO Trim
 880 DT Trim
 880 NL Trim
 880 K Trim
 880 K-BE Trim
 880 K-DT Trim
 880 KR Trim
 880 TP Trim
 880 TP-BE Trim

Trim Functions:

EO—Exit Only
 DT—Dummy Trim
 NL—Night Latch
 K—Knob
 KR—Rigid Knob
 TP—Thumbpiece
 BE—Blank Escutcheon

Trim Dimensions:

Trim	Escutcheon Plate Size	Projection
880EO	3" × 14 ³ / ₁₆ " × ³ / ₃₂ "	—
880DT	3" × 14 ³ / ₁₆ " × ³ / ₃₂ "	2"
880NL	3" × 14 ³ / ₁₆ " × ³ / ₃₂ "	2"
880K	3" × 14 ³ / ₁₆ " × ³ / ₃₂ "	2 ³ / ₄ "
880K-BE	3" × 14 ³ / ₁₆ " × ³ / ₃₂ "	2 ³ / ₄ "
880K-DT	3" × 14 ³ / ₁₆ " × ³ / ₃₂ "	2 ³ / ₄ "
880K-Rigid	3" × 14 ³ / ₁₆ " × ³ / ₃₂ "	2 ³ / ₄ "
880TP	3" × 14 ³ / ₁₆ " × ³ / ₃₂ "	2"
880TP-BE	3" × 14 ³ / ₁₆ " × ³ / ₃₂ "	2"

© Copyright 1991, Von Duprin, Inc.

Introduction

This manual contains product specifications, a complete listing of replaceable parts and assemblies, and general maintenance information for the 880 trim series. For your convenience, the parts lists refer directly to the product illustrations. The assemblies are represented by letters and the component parts are represented by numbers. The parts lists also show the quantity of parts or assemblies required for each device.

For the best possible service when ordering replacement parts or assemblies, please provide the following information:

- Part or Assembly number
- Description
- Quantity needed
- Finish desired (if available finished)
- Delivery information

Send orders to:

Von Duprin
 2720 Tobey Drive
 P.O. Box 6023
 Indianapolis, IN 46206
 (317) 613-8944

or contact your local Von Duprin distributor or sales representative.

Trim Finishes:

U.S. Std. Ref.	BHMA Ref.	V. D. Ref.	Description
US3	605	03	Polished Brass—Lacquered
*US10	612	10	Dull Bronze—Lacquered
US10A	—	11	Dull Bronze—No Lacquer
US10B	613	13	Dull Bronze—Oxidized-Oil Rubbed
US26	625	25	Polished Chrome
*US26D	626	26	Dull Chrome
US32	629	31	Polished Stainless Steel
US32D	630	32	Satin Stainless Steel

*Denotes Standard Finishes

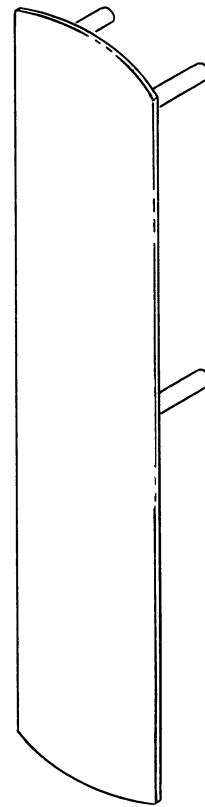
Mounting Screw Packages:

Mtg. Pkg. No.	Part No.	Qty.	Description
900533-10	963000	4	#10-24 × 1 ¹ / ₂ " OPHMS—Bronze
900533-32	963002	4	#10-24 × 1 ¹ / ₂ " OPHMS—St. Steel
900766-10	963136	4	#10-24 × 2" OPHMS—Bronze
900766-32	963137	4	#10-24 × 2" OPHMS—St. Steel
900771-10	963056 963116	1 1	#12 C' Sink Washer—Bronze #12-24 × 1" OPHMS—Bronze
900771-32	963057 963117	1 1	#12 C' Sink Washer—St. Steel #12-24 × 1" OPHMS—St. Steel
900752-10	963056 963016	1 1	#12 C' Sink Washer—Bronze #12-24 × 1 ¹ / ₂ " OPHMS—Bronze
900752-32	963057 963020	1 1	#12 C' Sink Washer—St. Steel #12-24 × 1 ¹ / ₂ " OPHMS—St. Steel

Parts List–880 EO Trim

Item	Qty.	Part No.	Description	
	1	041106	880 EO Trim Assembly–Rim	X
	1	041205	880 EO Trim Assembly–Vertical & Mortise	X
*	2	900533	Trim Mtg. Pkg.–To Mount Device to Trim–1¾" Door	X
*	2	900766	Trim Mtg. Pkg.–To Mount Device to Trim–2¼" Door	X
*	1	900771	Mtg. Screw Pkg.–To Mount Bottom Stud–1¾" Door	X
*	1	900752	Mtg. Screw Pkg.–To Mount Bottom Stud–2¼" Door	X

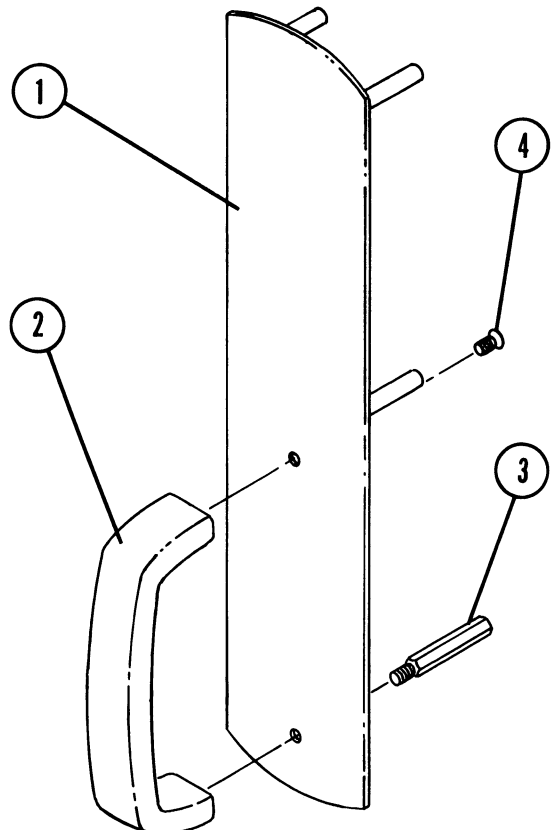
**See Page 2 for Mtg. Screw Pkg. Parts List
X Designates items that are finished*



Parts List–880 DT Trim

Item	Qty.	Part No.	Description	
	1	041103	Trim Assembly–Rim	X
	1	041203	Trim Assembly–Vertical & Mortise	X
1	1	103439	Trim Plate–Rim–Bronze	X
1	1	103441	Trim Plate–Rim–Stainless Steel	X
1	1	103481	Trim Plate–Vertical & Mortise–Bronze	X
2	1	959122	Pull Grip–Bronze	X
3	1	956760	Hex Stud	
4	1	963579	#12-24 x ¾" FPHMS Undercut	
*	2	900533	Trim Mtg. Pkg.–To Mount Device to Trim–1¾" Door	X
*	2	900766	Trim Mtg. Pkg.–To Mount Device to Trim–2¼" Door	X
*	1	900771	Mtg. Screw Pkg.–To Mount Bottom Stud–1¾" Door	X
*	1	900752	Mtg. Screw Pkg.–To Mount Bottom Stud–2¼" Door	X

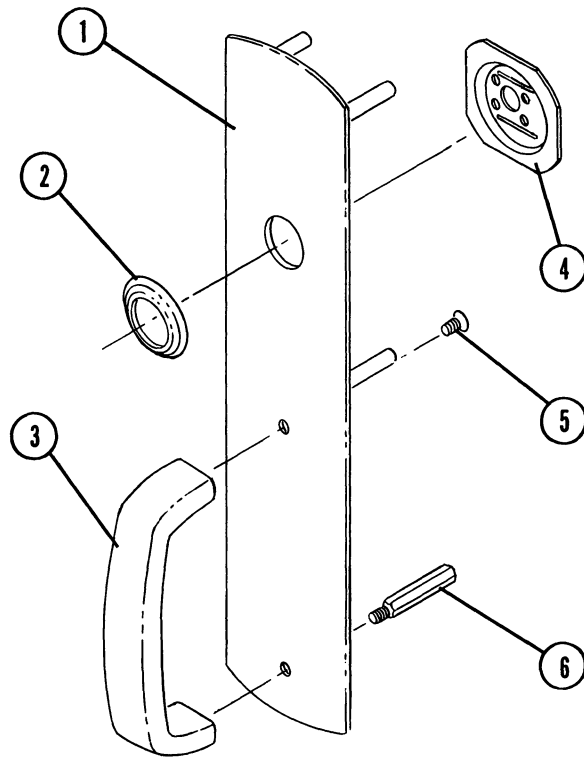
**See Page 2 for Mtg. Screw Pkg. Parts List
X Designates items that are finished*



Parts List-880 NL Trim

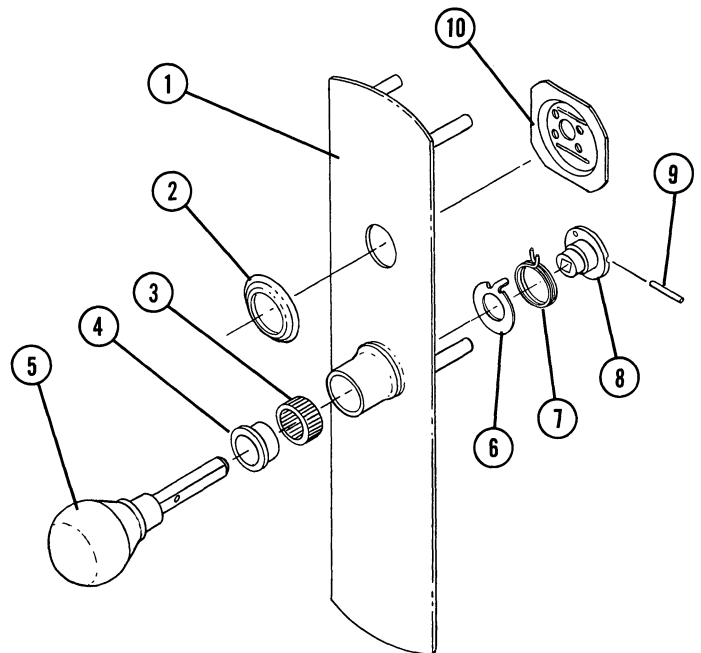
Item	Qty.	Part No.	Description	
	1	041102	Trim Assembly-Rim	X
	1	041202	Trim Assembly-Mortise	X
1	1	103506	Trim Plate-Rim-Bronze	X
1	1	103508	Trim Plate-Rim-Stainless Steel	X
1	1	103509	Trim Plate-Mortise-Bronze	X
2	1	965226	Cylinder Collar-Rim	X
2	1	961267	Cylinder Collar-Mortise	X
3	1	959122	Pull Grip-Bronze	X
4	1	959489	Cylinder Anchor Plate-Rim Only	
5	1	963579	#12-24 x 3/8" FPHMS-Undercut	
6	1	956760	Hex Stud	
*	2	900533	Trim Mtg. Pkg.-To Mount Device to Trim-1 3/4" Door	X
*	2	900766	Trim Mtg. Pkg.-To Mount Device to Trim-2 1/4" Door	X
*	1	900771	Mtg. Screw Pkg.-To Mount Bottom Stud-1 3/4" Door	X
*	1	900752	Mtg. Screw Pkg.-To Mount Bottom Stud-2 1/4" Door	X

*See Page 2 for Mtg. Screw Pkg. Parts List
 X Designates items that are finished



Parts List-880 K Trim

Item	Qty.	Part No.	Description	
	1	041144	880 K Trim Assembly-Rim-Orbit Knob	X
	1	041244	880 K Trim Assembly-Mortise-Orbit Knob	X
	1	041342	880 K Trim Assembly-Vertical-Orbit Knob	X
1	1	110550	Trim Plate Assembly-Rim-Bronze	X
1	1	110551	Trim Plate Assembly-Rim-Stainless Steel	X
1	1	110558	Trim Plate Assembly-Mortise-Bronze	X
1	1	110559	Trim Plate Assembly-Vertical-Bronze	X
2	1	965226	Cylinder Collar-Rim	X
2	1	961267	Cylinder Collar-Vertical & Mortise	X
3	1	964186	Tolerance Ring	
4	1	961989	Flange Bearing P.M.	
5	1	110554	Orbit Knob Assembly	X
6	1	970139	Booster Spacer	
7	1	970138	Torsion Spring	
8	1	970137	Booster Body	
9	1	963196	Roll Pin- $\frac{3}{32}$ " x $\frac{7}{8}$ " Lg.	
10	1	959489	Cylinder Anchor Plate	
*	2	900533	Trim Mtg. Pkg.-To Mount Device to Trim-1 $\frac{3}{4}$ " Door	X
*	2	900766	Trim Mtg. Pkg.-To Mount Device to Trim-2 $\frac{1}{4}$ " Door	X
*	1	900771	Mtg. Screw Pkg.-To Mount Bottom Stud-1 $\frac{3}{4}$ " Door	
*	1	900752	Mtg. Screw Pkg.-To Mount Bottom Stud-2 $\frac{1}{4}$ " Door	



Parts List-880 K-BE Trim

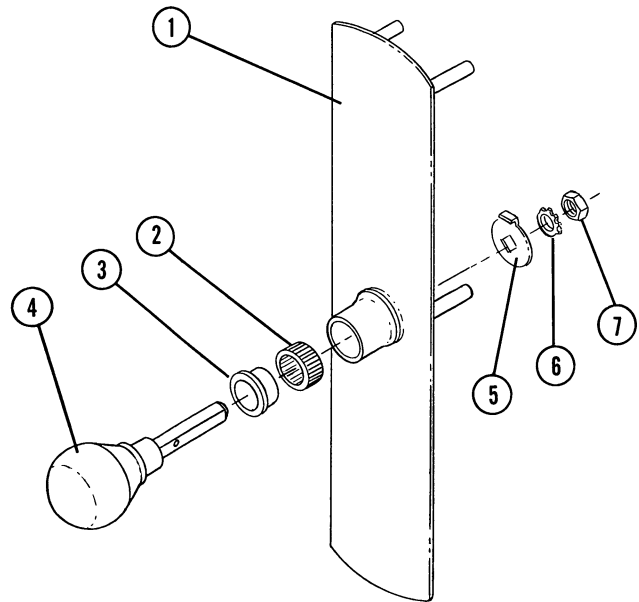
Item	Qty.	Part No.	Description	
	1	041184	880 K-BE Trim Assembly-Rim-Orbit Knob	X
	1	041284	880 K-BE Trim Assy.-Mortise-Orbit Knob	X
	1	041382	880 K-BE Trim Assy.-Vertical-Orbit Knob	X
1	1	110556	Trim Plate Assembly-Rim-Bronze-Orbit	X
1	1	110557	Trim Plate Assy.-Rim-Stainless Steel-Orbit	X
1	1	111528	Trim Plate Assy.-Mortise-Bronze-Orbit	X
1	1	111529	Trim Plate Assy.-Vertical-Bronze-Orbit	X
3	1	964186	Tolerance Ring	
4	1	961989	Flange Bearing P.M.	
5	1	110554	Orbit Knob Assembly	X
6	1	970139	Booster Spacer	
7	1	970138	Torsion Spring	
8	1	970137	Booster Body	
9	1	963196	Roll Pin- $\frac{3}{32}$ " x $\frac{7}{8}$ " Lg.	
*	2	900533	Trim Mtg. Pkg.-To Mount Device to Trim-1 $\frac{3}{4}$ " Door	X
*	2	900766	Trim Mtg. Pkg.-To Mount Device to Trim-2 $\frac{1}{4}$ " Door	X
*	1	900771	Mtg. Screw Pkg.-To Mount Bottom Stud-1 $\frac{3}{4}$ " Door	X
*	1	900752	Mtg. Screw Pkg.-To Mount Bottom Stud-2 $\frac{1}{4}$ " Door	X

*See Page 2 for Mtg. Screw Pkg. Parts List
X Designates items that are finished

Parts List–880 K-DT Trim

Item	Qty.	Part No.	Description
	1	041147	880 K-DT Trim Assembly–Rim–Orbit Knob
	1	041247	880 K-DT Trim Assy.–Mortise–Orbit Knob
	1	041343	880 K-DT Trim Assy.–Vertical–Orbit Knob
1	1	110554	Trim Plate Assy.–Rim–Bronze–Orbit Knob
1	1	110555	Trim Plate Assy.–Rim–St. Stl.–Orbit Knob
1	1	110560	Trim Plate Assy.–Mortise–Brz.–Orbit Knob
1	1	108510	Trim Plate Assy.–Vertical–Brz.–Orbit Knob
2	1	964186	Tolerance Ring
3	1	961989	Flange Bearing P.M.
4	1	110547	Orbit Knob Assembly
5	1	965568	Spindle Lock
6	1	963703	3/8" Ext. Tooth Lockwasher
7	1	963704	3/8"-16 Hex Jam Nut

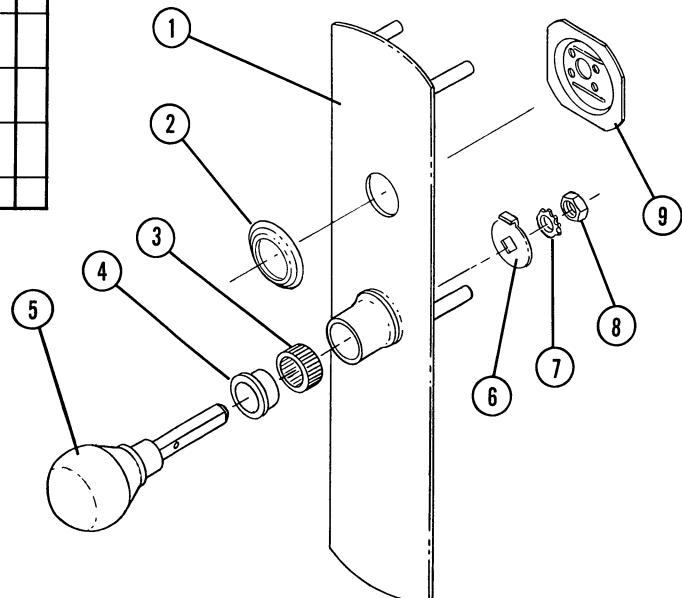
*See Page 2 for Mtg. Screw Pkg. Parts List
 X Designates items that are finished



Parts List–880 K-Rigid–Rim Trim

Item	Qty.	Part No.	Description	
	1	041145	880 K-R Trim Assembly–Orbit Knob	X
1	1	110552	Trim Plate Assy.–Bronze–Orbit Knob	X
1	1	110553	Trim Plate Assy.–Stainless Steel–Orbit Knob	X
2	1	965226	Cylinder Collar	
3	1	964186	Tolerance Ring	
4	1	961989	Flange Bearing P.M.	
5	1	110547	Orbit Knob Assembly	
6	1	965568	Spindle Lock	
7	1	963703	3/8" Ext. Tooth Lockwasher	
8	1	963704	3/8"-16 Hex Jam Nut	
9	1	959489	Cylinder Anchor	
*	2	900533	Trim Mtg. Pkg.–To Mount Device to Trim–1 3/4" Door	
*	2	900766	Trim Mtg. Pkg.–To Mount Device to Trim–2 1/4" Door	
*	1	900771	Mtg. Screw Pkg.–To Mount Bottom Stud–1 3/4" Door	
*	1	900752	Mtg. Screw Pkg.–To Mount Bottom Stud–2 1/4" Door	

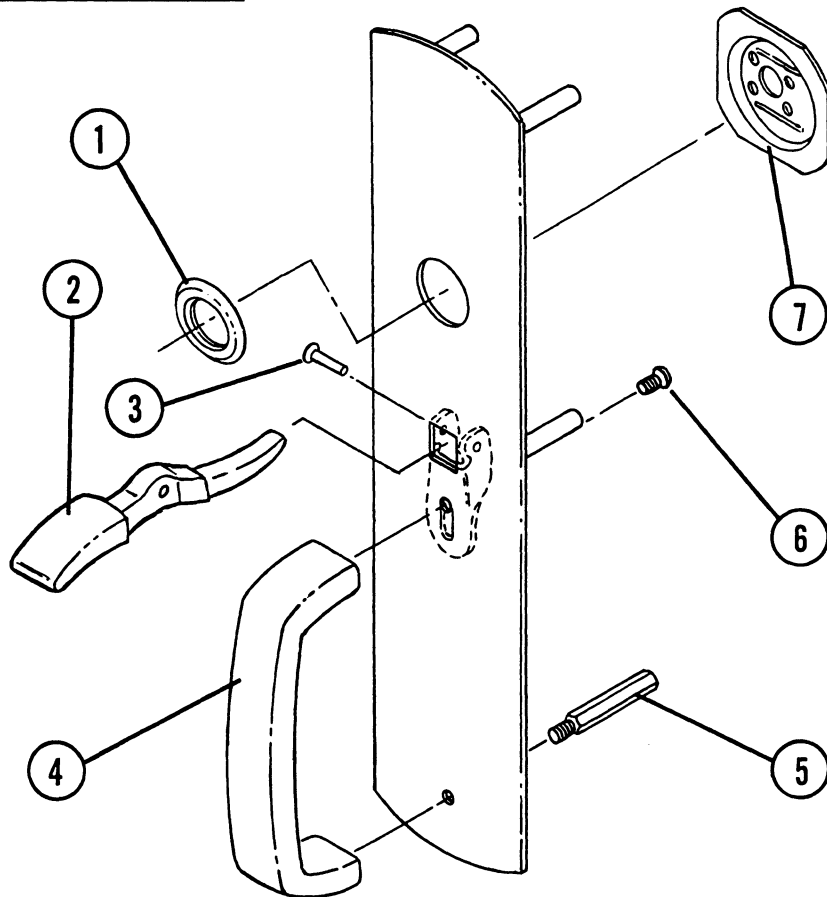
*See Page 2 for Mtg. Screw Pkg. Parts List
 X Designates items that are finished



Parts List–880 TP & TP-BE Trim

Item	Qty.	Part No.	Description
	1	041101	TP Trim Assembly–Rim
	1	041201	TP Trim Assembly–Mortise
	1	041301	TP Trim Assembly–Vertical
	1	041141	TP Trim Assembly–Rim
	1	041341	TP Trim Assembly–Vertical & Mortise
1	1	965226	Cylinder Collar–Rim–(TP Only)
2	1	970488	Thumbpiece–Rim & Vertical–Bronze
2	1	959575	Thumbpiece–Mortise
3	1	959603	Thumbpiece Axle
4	1	959122	Pull Grip–Bronze
5	1	956760	Hex Stud
6	1	965237	Thumbpiece Bracket Screw
7	1	959489	Cylinder Anchor Plate–Rim (TP Only)
*	2	900533	Trim Mtg. Pkg.–To Mount Device to Trim–1¾" Door
*	2	900766	Trim Mtg. Pkg.–To Mount Device to Trim–2¼" Door
*	1	900771	Mtg. Screw Pkg.–To Mount Bottom Stud–1¾" Door
*	1	900752	Mtg. Screw Pkg.–To Mount Bottom Stud–2¼" Door

*See Page 2 for Mtg. Screw Pkg. Parts List
 X Designates items that are finished



Von Duprin, Inc.
2720 Tobey Drive
Indianapolis, IN 46219
(317) 613-8944