

ELECTRIC MORTISE LOCK OPERATION:

THE E-7500 MORTISE LOCK HAS ONE SOLENOID (CONNECTOR J1) AND TWO MONITOR SWITCHES (CONNECTOR J2). THE SS-7500 MORTISE LOCK HAS ONLY THE TWO MONITOR SWITCHES (CONNECTOR J2).

THE SOLENOID IS USED TO LOCK OR UNLOCK THE MECHANICAL TRIM. THE FAIL SECURE VERSION REQUIRES POWER BE APPLIED TO UNLOCK THE TRIM, WHILE THE FAIL SAFE VERSION REQUIRES POWER BE APPLIED TO LOCK THE TRIM.

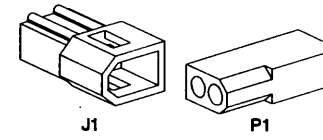
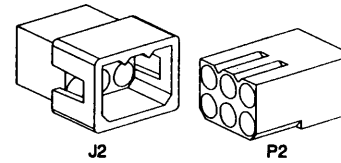
THE STANDARD UNIT REQUIRES DC (DIRECT CURRENT) VOLTAGE TO OPERATE, 12 OR 24 VOLTS AS SPECIFIED. THE WIRING IS NOT POLARIZED. AN OPTIONAL 'SO' KIT IS REQUIRED FOR AC (ALTERNATING CURRENT) OPERATION. THIS IS USED TO CONVERT AC VOLTAGE TO DC VOLTAGE. THE 'SO' KIT MUST BE SELECTED FOR A SPECIFIC VOLTAGE, 12 OR 24 VOLT UNITS ARE AVAILABLE. THE 'SO' KIT MUST BE USED WITH A SOLENOID HAVING THE SAME DC VOLTAGE RATING. THE KIT COMES EQUIPPED WITH PLUG CONNECTORS TO INSERT BETWEEN THE LOCK WIRING PLUG AND THE LOCK FIELD WIRING PLUG. THIS EQUIPMENT MUST BE INSTALLED AND USED IN ACCORDANCE WITH THE NATIONAL ELECTRIC CODE (NFPA 70).

INSTALLATION INSTRUCTIONS:

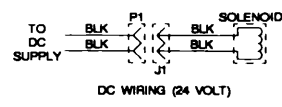
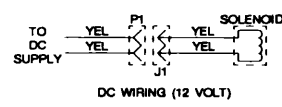
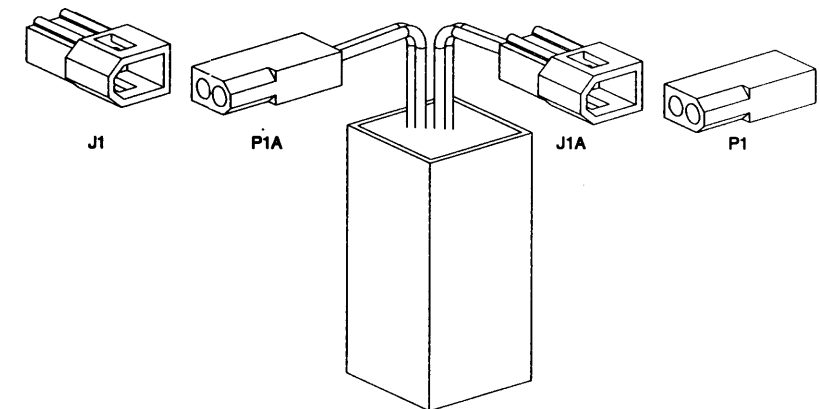
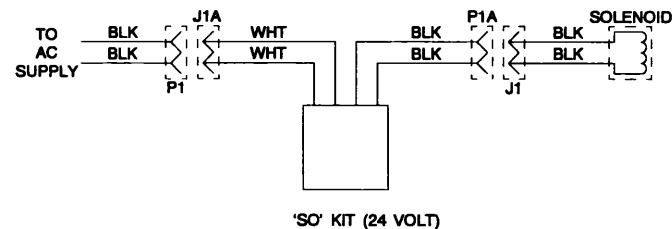
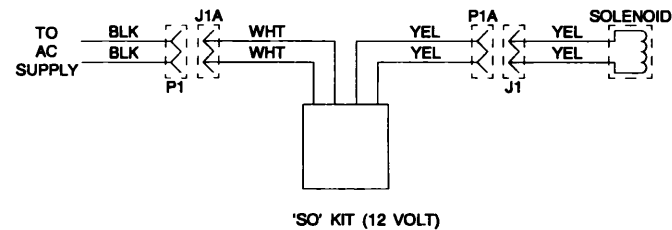
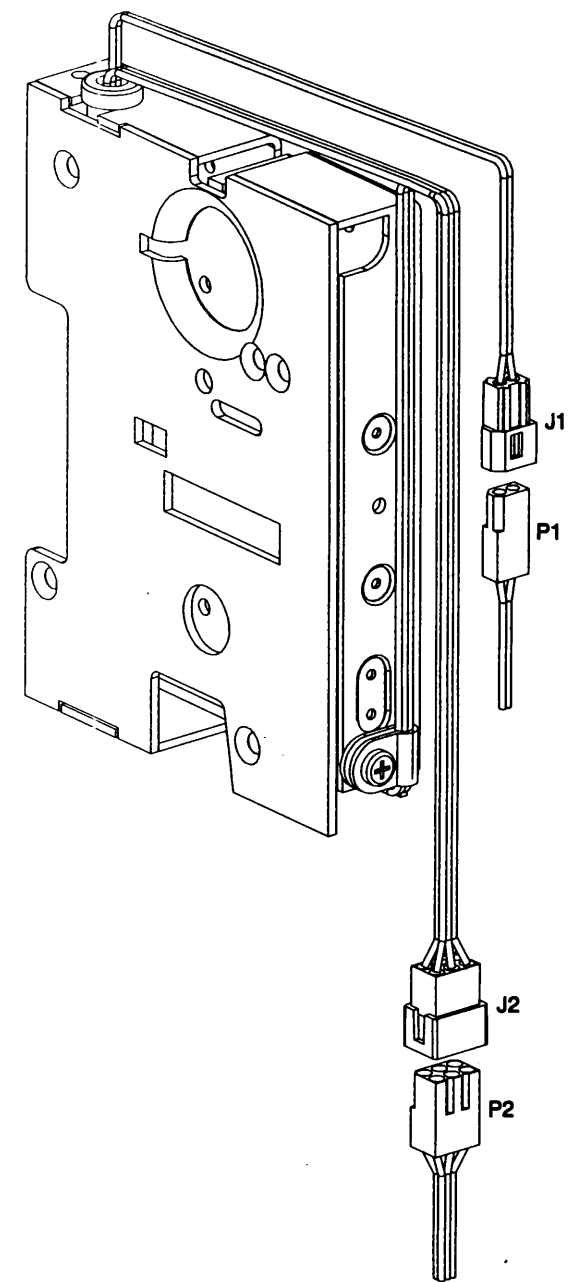
THE WIRING LENGTHS PROVIDED, PERMIT FIELD CONNECTIONS ON THE HINGE SIDE. ADEQUATE ROOM SHOULD BE PROVIDED IN THE DOOR CUTOUT FOR INSTALLATION OF THE LOCK AND THE PLUG CONNECTORS ON THE LOCK SIDE. LEAVE ADEQUATE LENGTHS OF WIRE TO PERMIT PLUGGING IN THE PLUG CONNECTORS BEFORE INSERTING THE LOCK IN THE DOOR.

FIELD WIRING INSTRUCTIONS:

PLUG CONNECTORS WITH WIRE LEADS (48" LONG) ARE PROVIDED TO EASE IN THE FIELD WIRING INSTALLATION. THESE WIRE LEADS MAY BE CUT TO DESIRED LENGTH, THE USE OF A CRIMP TYPE CONNECTOR TO SPLICE THE PLUG CONNECTOR TO THE FIELD WIRING IS RECOMMENDED.



DC WIRING



S1	AUX. BOLT	MONITOR	RED	1	RED
			YEL	2	YEL
			BLU	3	BLU
S2	TRIM	MONITOR	WHT	4	WHT
			VIO	5	VIO
			GRA	6	GRA

NOTE: WIRING SHOWN WITH AUX. BOLT DEPRESSED (DOOR CLOSED) & TRIM LOCKED.

DESCRIPTION:

**E-7500 MORTISE LOCK
SS-7500 MORTISE LOCK**



VON DUPRIN

Part of worldwide Ingersoll-Rand

DIRECTION NUMBER: 941920-00(3)

DATE: 040793