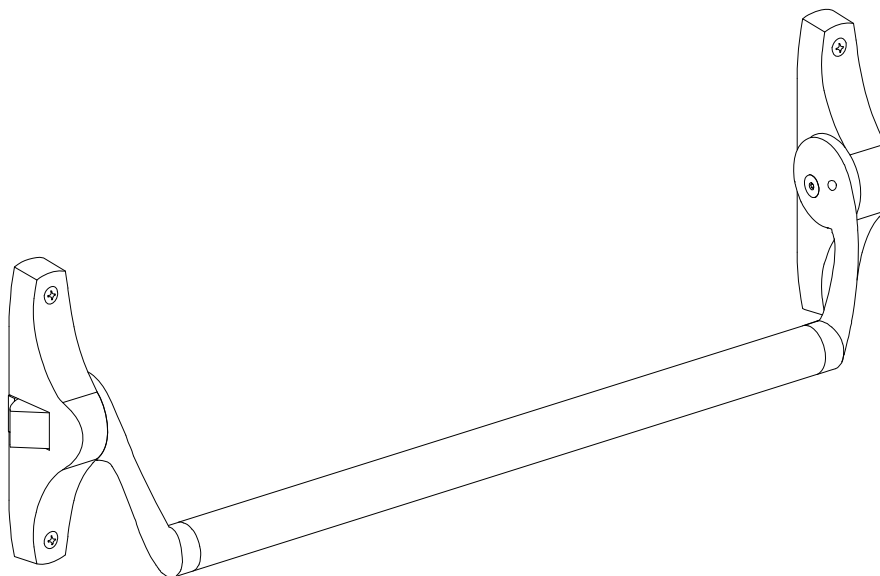


# VON DUPRIN®

## PARTS MANUAL

JULY 2009

### 55 SERIES EXIT DEVICES



PM55\_A  
VD-5555

**IR** Ingersoll Rand  
Security Technologies

Copyright © 2009 Ingersoll-Rand. All rights reserved.

# INDEX

## General Information

Introduction .....	2
How to Order .....	2
Part Number Changes .....	2
55 Series Finishes .....	3
Outside Trim Functions .....	3
Strikes .....	4

## 55 Series Device Parts

Crossbars .....	5
Lever Arm Kits .....	6
Lever Arm Parts Packages .....	7
End Case Kit and End Case Parts .....	8
Center Case Kits .....	9
Center Case Parts: 55 Rim Device .....	10
Center Case Parts: 5547 Device .....	11
Center Case Parts: 5547-F, 5547WDC, 5575, 5575-F Devices .....	12
Vertical Latches .....	13
Vertical Rods: 5547 Device .....	14-15
Vertical Rods: 5547-F Device .....	14-15
Vertical Rods: 5547WDC Device .....	16

# INTRODUCTION

This manual contains a listing of replaceable parts and assemblies for the 55 Series Panic and FEH Devices.

# HOW TO ORDER

Some parts are sold separately. Other items are available as part of a kit or multiple quantity package. For the best possible service when ordering replacement parts or assemblies, please provide the following information:

- Part number or assembly number
- Description
- Quantity needed
- Finish desired (if available finished)
- Date of original purchase (if known)

To find out the name of your local Von Duprin distributor or sales representative, contact:

Von Duprin Division  
Ingersoll-Rand Company  
2720 Tobey Drive  
Indianapolis, Indiana 46219  
Phone: (800) 999-0408  
Fax: (800) 999-0328

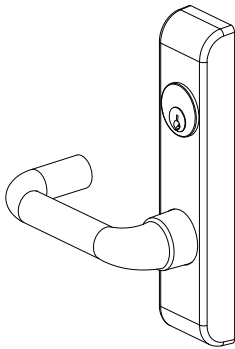
# PART NUMBER CHANGES

This manual reflects the product as sold in July 2009. Because of changes to the product and/or manufacturing process, part numbers can change.

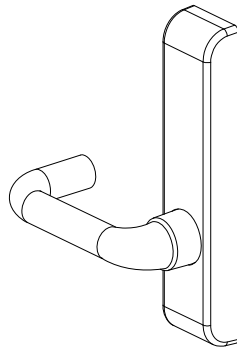
## 55 SERIES FINISHES

US Number	BHMA Number	Color
US3	605	Brass, polished
US4	606	Brass, dull
US10B	613	Brass, dull (oxidized)
US26	625	Chrome, polished
US26D	626	Chrome, dull
US10	612	Bronze, dull
SPBLK	693	Gloss black powder

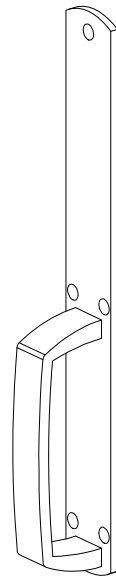
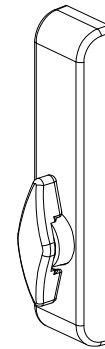
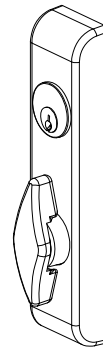
## OUTSIDE TRIM FUNCTIONS



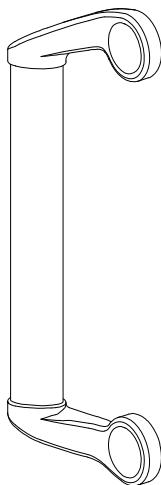
**371L**  
for 5547-F



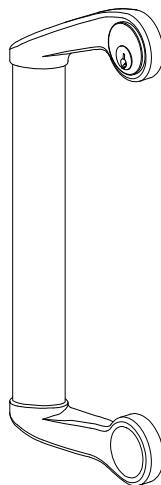
**371L-BE**  
for 5547-F



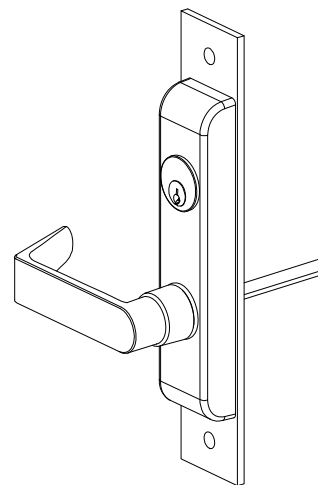
**376T or 376T-BE x 609DT**  
for 5547, 5547-F



**550DT**  
for 55 Rim, 5547, 5575

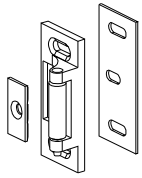


**555NL/556NL**  
555 NL for 55 Rim, 5547, 5575, 5575-F  
556NL for 5547WDC

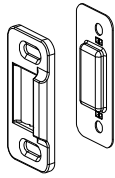


**375L**  
for 5575, 5575-F

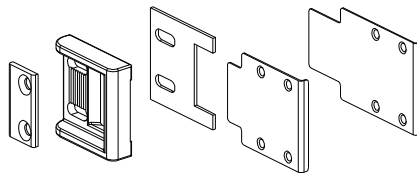
## 55 RIM STRIKES



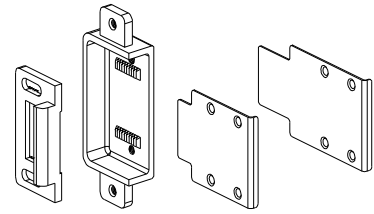
**299**  
Single door;  
double door  
with mullion



**1606**  
Single door;  
double door  
with mullion

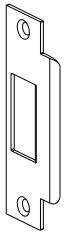


**1409**  
Single door  
(wear plates available for  
1-3/4" and 2-1/4" thick doors)

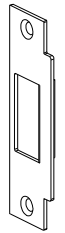


**1410**  
Single door  
(wear plates available for  
1-3/4" and 2-1/4" thick doors)

## 5575/5575-F STRIKES

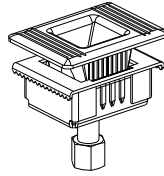


**575**  
single door

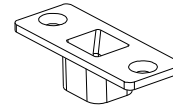


**575-2**  
double door

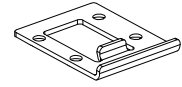
## 5547-F STRIKES



**385A**  
(bottom)

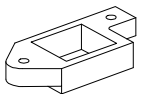


**301L**  
(bottom)

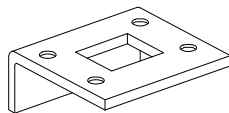


**283 soffit**  
(top)

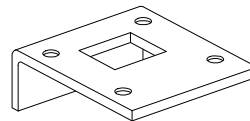
## 5547 STRIKES



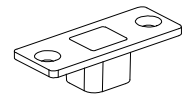
**471U**  
(top)



**472U**  
(1-3/4" thick doors; top)

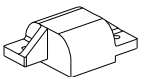


**473U**  
(2-1/4" thick doors; top)

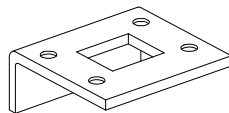


**301L**  
(bottom)

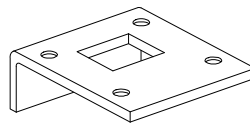
## 5547WDC/5547WDC-F STRIKES



**338**  
(top)



**472U**  
(1-3/4" thick doors; top)

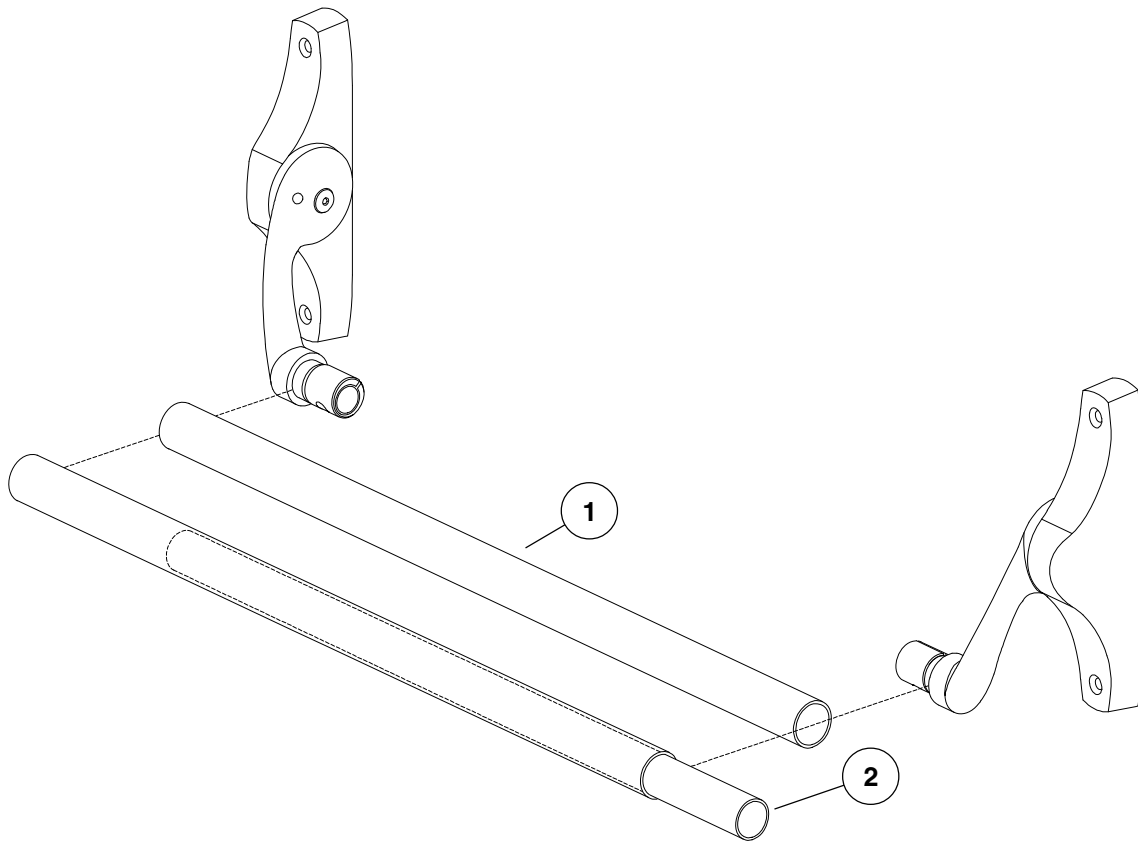


**473U**  
(2-1/4" thick doors; top)

# CROSSBARS

Item No.	Part No.	Description	Quantity	Finish
1	050004	42" Standard Crossbar Kit	1	X
1	050005	42" Knurled Crossbar Kit	1	X
2	050459	37" Crossbar Reinforcement Kit	1	

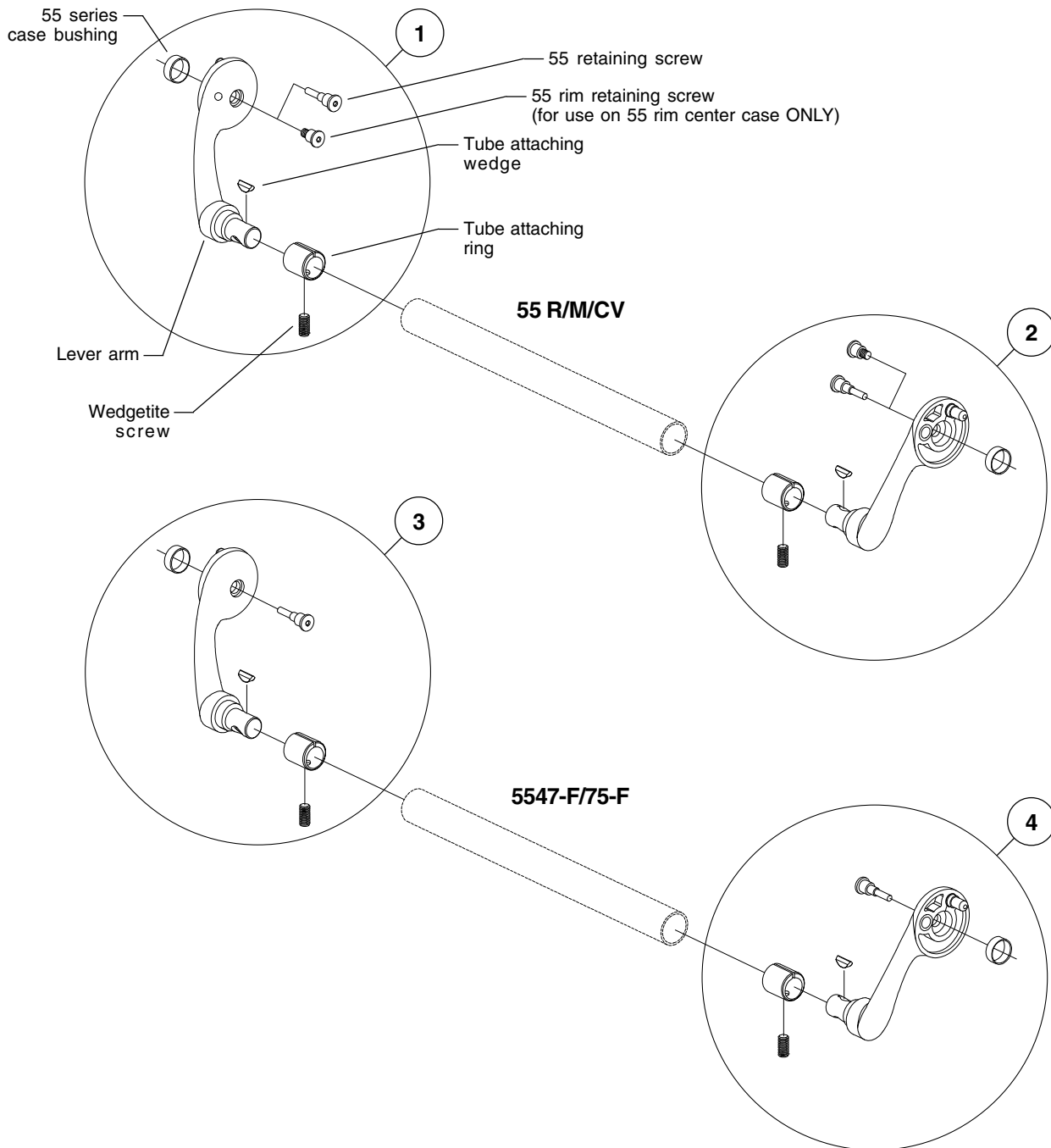
X in "Finish" column designates finished item; specify finish when ordering.



# LEVER ARM KITS

Item No.	Part No.	Description	Quantity	Finish
1	050112	55 R/M/CV LH Lever Arm Kit	1	X
2	050136	55 R/M/CV RH Lever Arm Kit	1	X
3	050137	5547-F/75-F LH Lever Arm Kit	1	X
4	050139	5547-F/75-F RH Lever Arm Kit	1	X

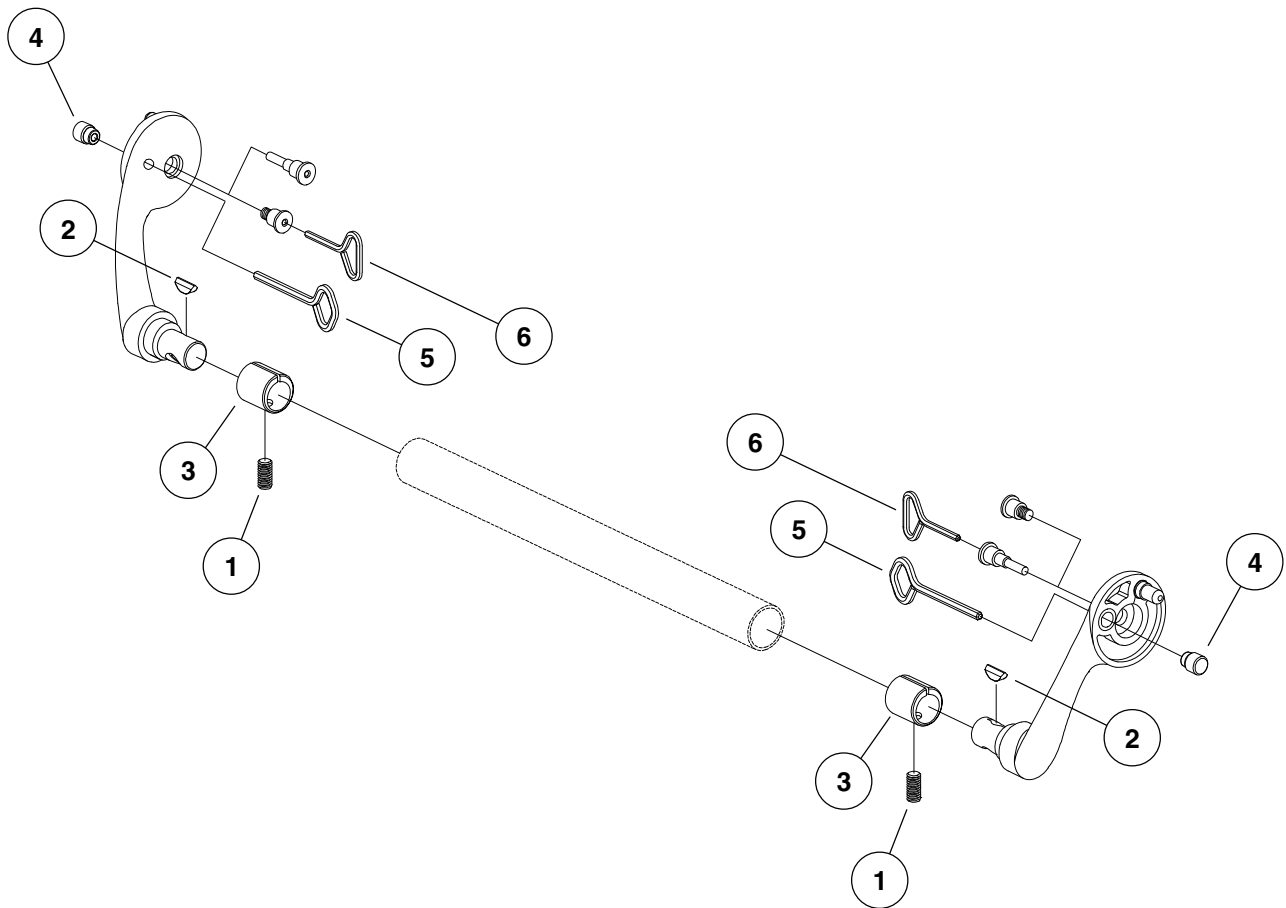
X in "Finish" column designates finished item; specify finish when ordering.



# LEVER ARM PARTS PACKAGES

Item No.	Part No.	Description	Quantity	Finish
1	090008	Wedgetite Screw Pkg.	2	
1	090081	Wedgetite Screw Pkg.	30	
2	090020	Crossbar Tube Attaching Wedge Pkg.	2	
3	090021	Crossbar Tube Attaching Ring Pkg.	2	
4	090029	55 Dog Screw Pkg.	2	
4	090053	55 Dog Screw Pkg.	10	
5	090005	227 Dog Key 5/32" Pkg.	2	
5	090085	227 Dog Key 5/32" Pkg.	10	
6	103866	55 Series Special Hex Key (Reversing Pkg.)	1	

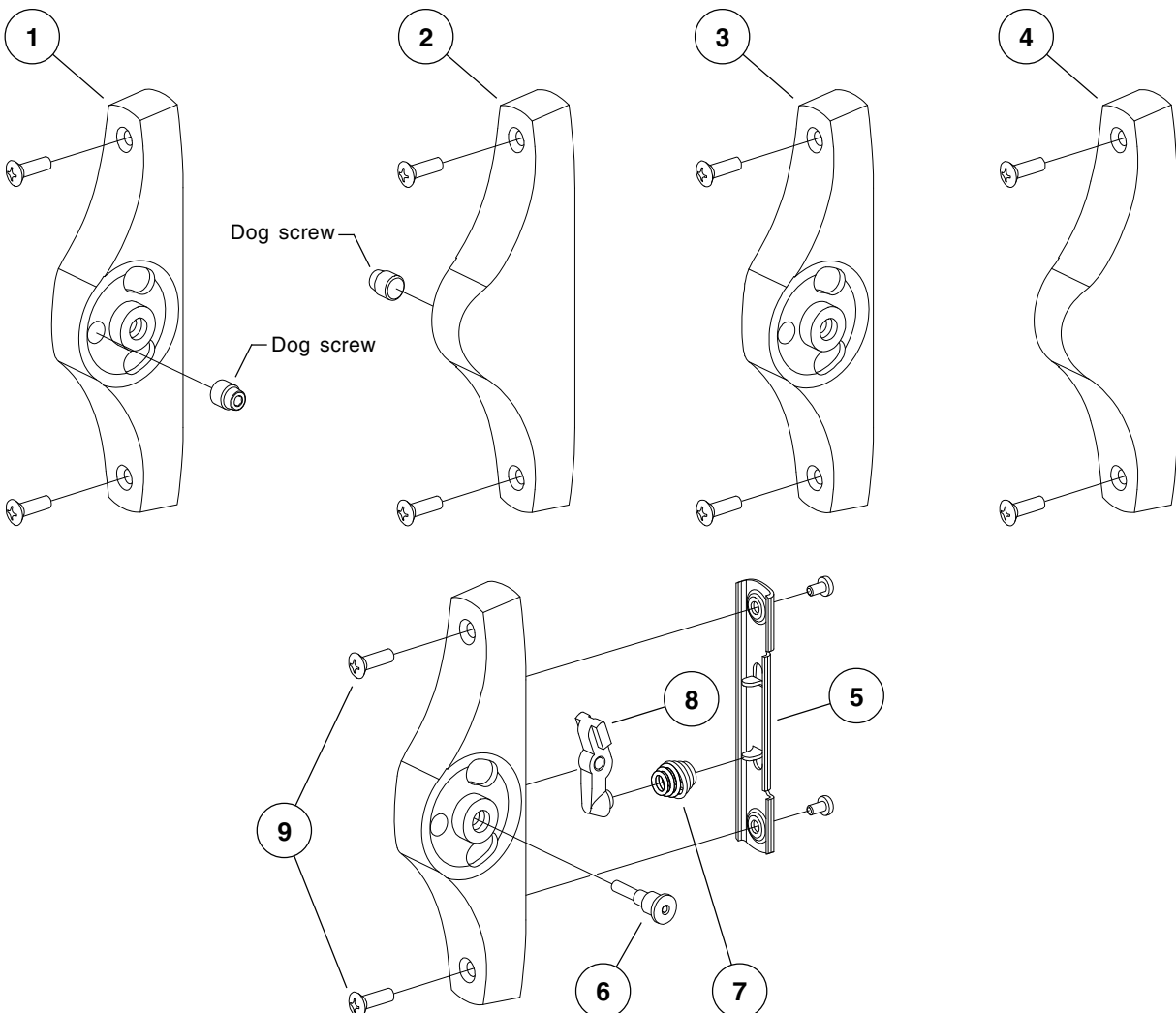
X in "Finish" column designates finished item; specify finish when ordering.



## END CASE KITS AND END CASE PARTS

Item No.	Part No.	Description	Quantity	Finish
1	050196	55 Rim/5575/5547 RHR End Case Kit	1	X
2	050197	55 Rim/5575/5547 LHR End Case Kit	1	X
3	050198	5547-F/5575-F RHR End Case Kit	1	X
4	050199	5547-F/5575-F LHR End Case Kit	1	X
5	050364	55 Series End Case Backplate	1	
6	090051	55 Retaining Screw Pkg.	10	
6	090026	55 Retaining Screw Pkg.	2	
7	090052	55 End Case Spring Pkg.	20	
7	090028	55 End Case Spring Pkg.	4	
8	050366	55 End Case Spring Lever	1	
9	900507	55 Series End Case Mounting Pkg.	2	X

X in "Finish" column designates finished item; specify finish when ordering.

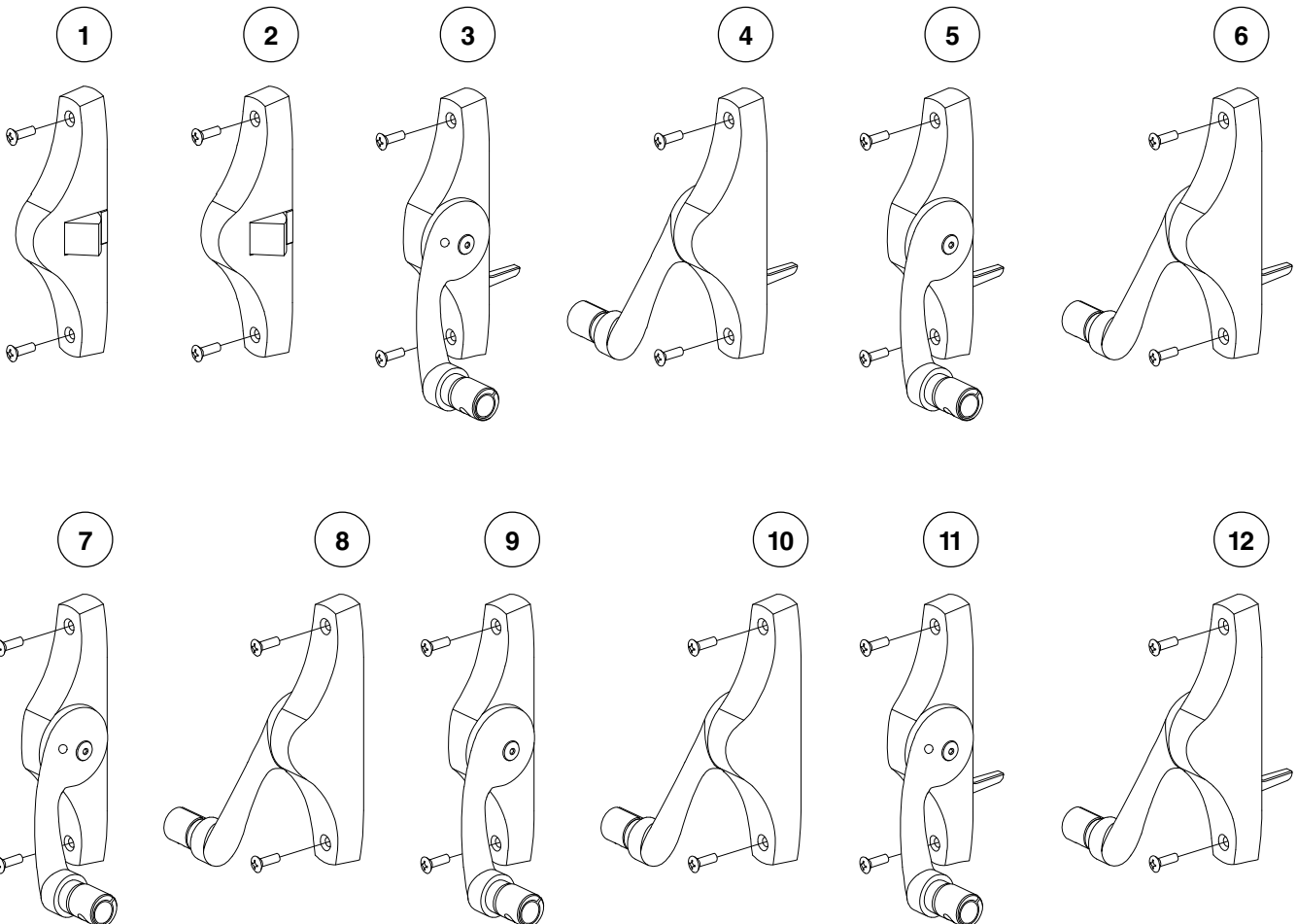




## CENTER CASE KITS

Item No.	Part No.	Description	Quantity	Finish
1	050183	55EO Center Case Kit	1	X
2	050184	55NL Center Case Kit	1	X
3	050186	5575 Center case LHR Kit	1	X
4	050185	5575 Center Case RHR Kit	1	X
5	050188	5575-F Center Case LHR Kit	1	X
6	050187	5575-F Center Case RHR Kit	1	X
7	050191	5547 LHR Center Case Kit	1	X
8	050189	5547 RHR Center Case Kit	1	X
9	050193	5547-F LHR Center Case Kit	1	X
10	050192	5547-F RHR Center Case Kit	1	X
11	050195	5547WDC LHR Center Case Kit	1	X
12	050194	5547WDC RHR Center Case Kit	1	X

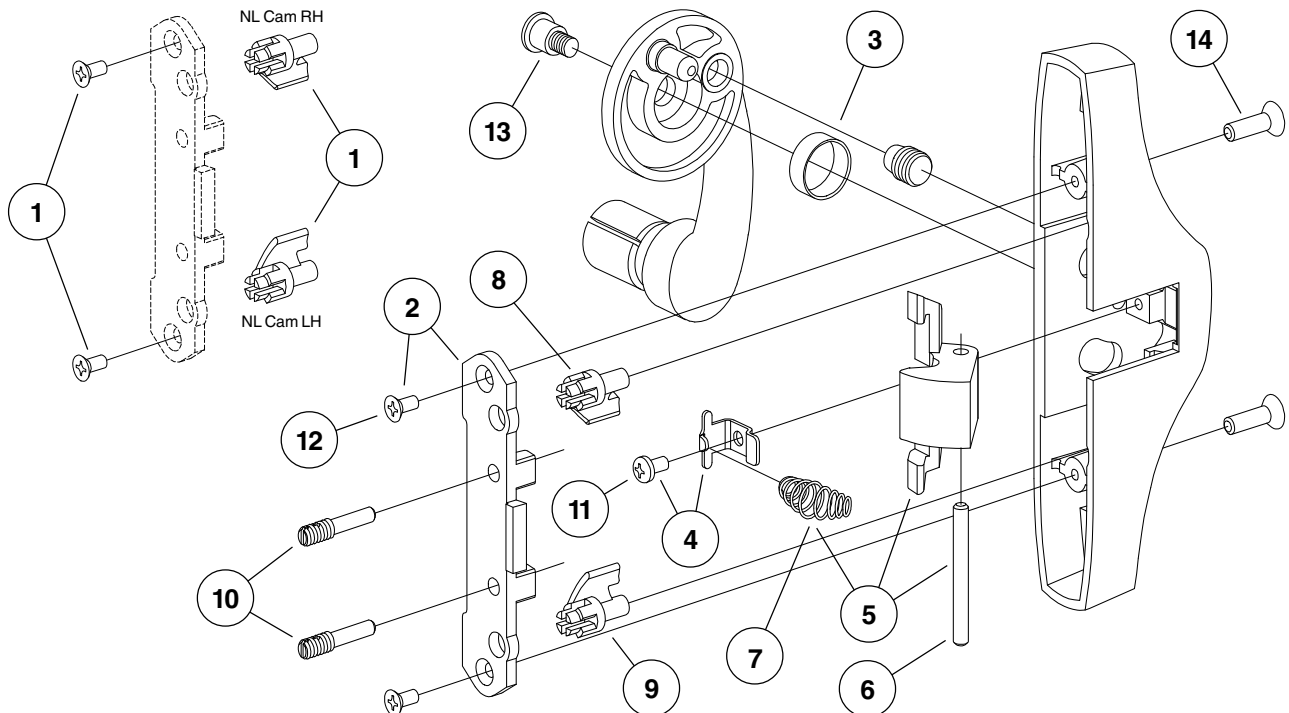
X in "Finish" column designates finished item; specify finish when ordering.



## CENTER CASE PARTS: 55 RIM DEVICE

Item No.	Part No.	Description	Quantity	Finish
1	050105	55CK-NL Conversion Kit (order trim separate)	1	
2	050332	55 Rim Backplate w/Screws	1	X
3	050333	55 Case Bushing	1	
4	050334	55 Rim Spring Clip w/Screws	1	
5	050352	55 Rim Latch Bolt w/Axle and Spring	1	
6	050353	55 Rim Latch Bolt Axle	1	
7	050354	55 Rim Latch Bolt Spring	1	
8	050355	55NL Cam RH	1	
9	050356	55NL Cam LH	1	
10	090023	55 Axle Retainer Pkg.	2	
11	090024	55 Spring Anchor Screw Pkg.	10	
12	090025	55 Backplate Screw Pkg.	10	
13	090022	55 Rim Center Case Retaining Screw Pkg.	2	
13	090050	55 Rim Center Case Retaining Screw Pkg.	10	
14	900507	55 Rim Center Case Mounting Pkg.	1	X
		12-24 x 3/4" OPHMS	2	
14	900512	Rim 2" Dr SNB Mounting Pkg.	1	X
		12-24 x 1" OPHMS	4	

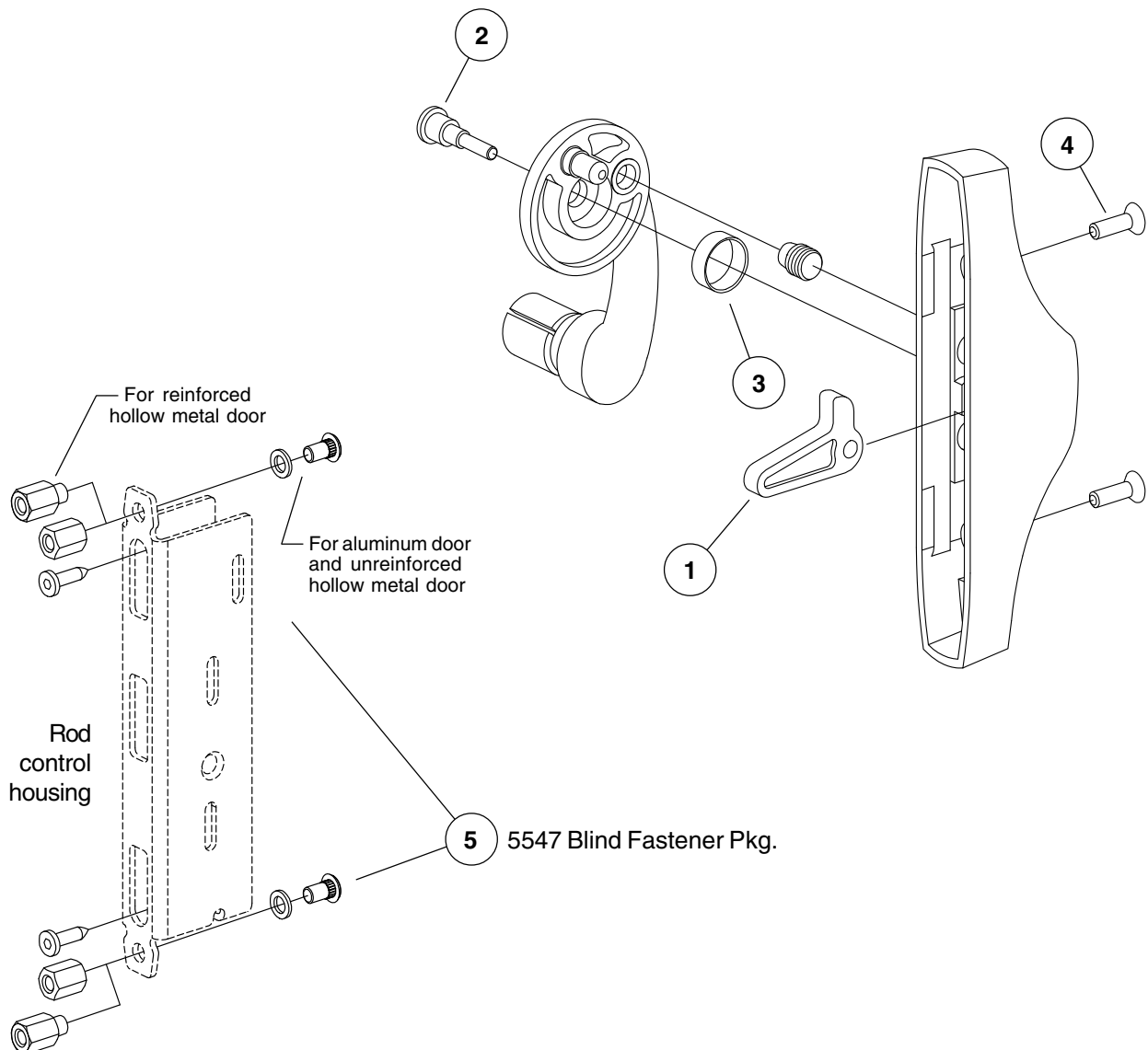
X in "Finish" column designates finished item; specify finish when ordering.



## CENTER CASE PARTS: 5547 DEVICE

Item No.	Part No.	Description	Quantity	Finish
1	050357	5547 Control Lever	1	
2	090051	55 Retaining Screw Pkg.	10	
2	090026	55 Retaining Screw Pkg.	2	
3	050333	55 Case Bushing	1	
4	900508	5547 Center Case Mounting Pkg.		X
		12-24 x 1/2" OPHMS	2	
4	900514	5547 2" Dr SNB Mounting Pkg.		X
		12-24 x 1" OPHMS	2	
5	900539	5547 Blind Fastener Pkg.	1	

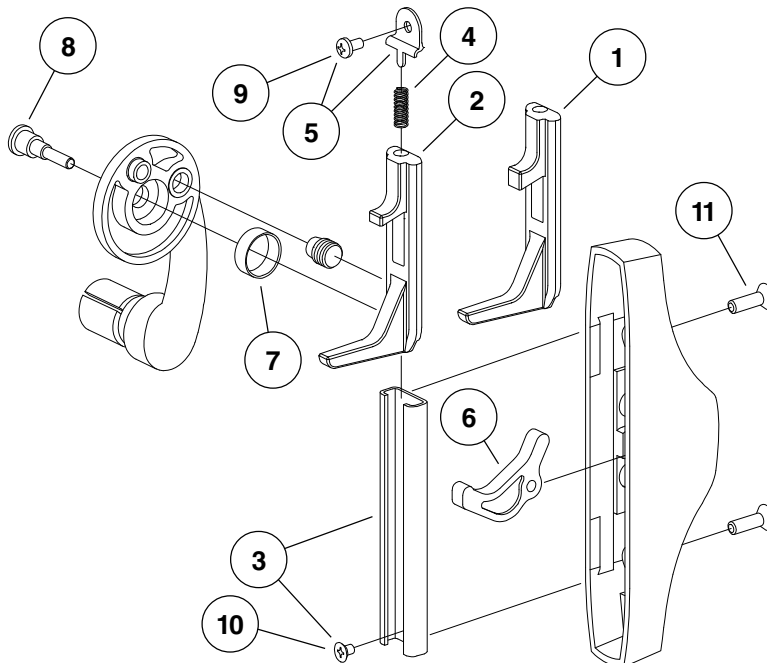
X in "Finish" column designates finished item; specify finish when ordering.



## CENTER CASE PARTS: 5547-F, 5547WDC, 5575, 5575-F DEVICES

Item No.	Part No.	Description	Quantity	Finish
1	050360	5547-F/5547WDC Lift Member	1	
2	050361	5575/5575-F Lift Member	1	
3	050359	5547-F/5547WDC Lift Member Channel	1	
4	050362	5547/5547-F Latch Release Spring	1	
5	050363	5547-F/5547WDC Spring Anchor	1	
6	050358	5547-F/5547WDC Lift Memembr Lever	1	
7	050333	55 Case Bushing	1	
8	090051	55 Retaining Screw Pkg.	10	
8	090026	55 Retaining Screw Pkg.	2	
9	090024	55 Spring Anchor Screw Pkg.	10	
10	090027	Lift Member Guide Screw Pkg.	10	
11	900509	5547-F/5575/5575-F Center Case Mounting Pkg.		X
		12-24 x 5/8" OPHMS	2	
11	900507	5547WDC Center Case Mounting Pkg.		X
		12-24 x 3/4" OPHMS	2	
11	900512	5547WDC 2" Dr SNB Mounting Pkg.		X
		12-24 x 1" OPHMS	4	
11	900514	5547/5575 2" Dr SNB Mounting Pkg.		X
		12-24 x 1" OPHMS	2	

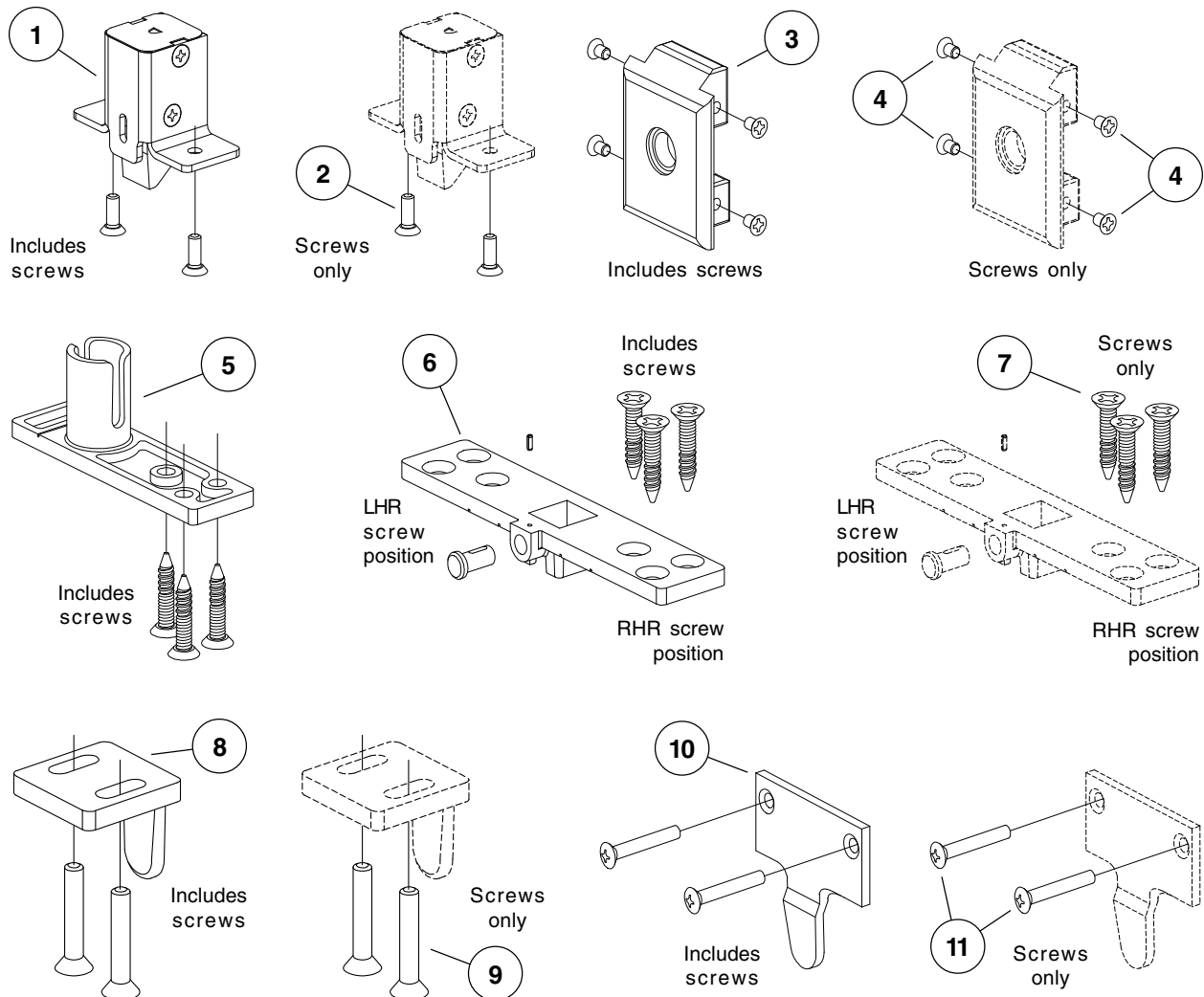
X in "Finish" column designates finished item; specify finish when ordering.



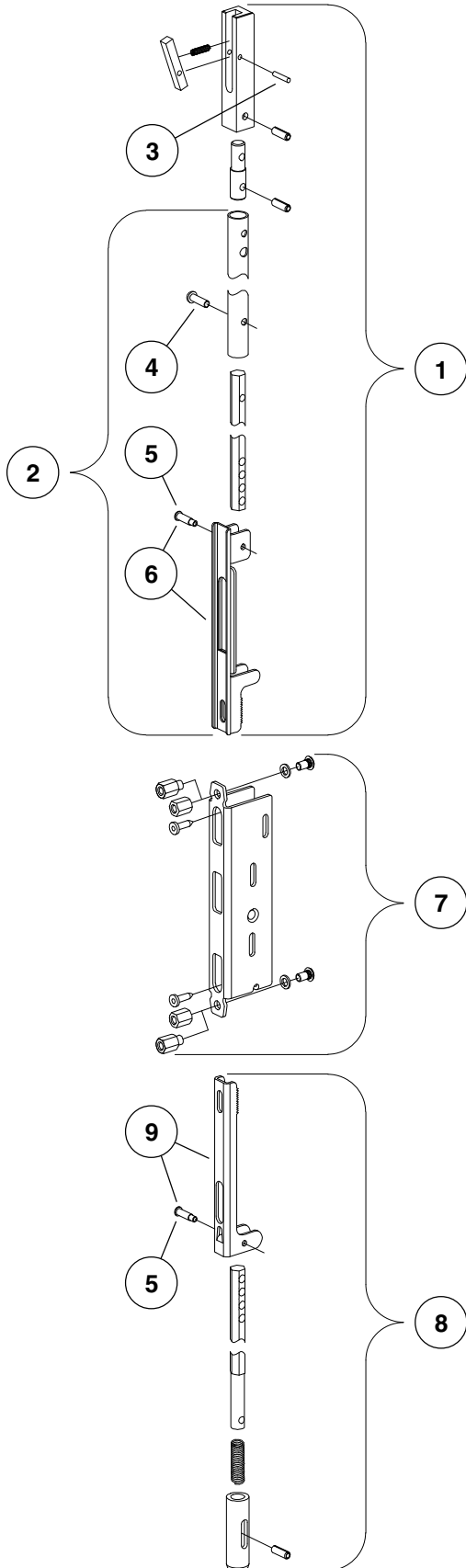
# VERTICAL LATCHES

Item No.	Part No.	Description	Quantity	Finish
1	114141	5547-F Soffit Latch Kit (includes screws)	1	
2	900502	5547 Soffit Latch Mounting Pkg.	2	
3	050278	5547-F Release Guide Cover with Screws	1	X
4	PKGSRV.1018	5547-F Top Latch Release Screw Pkg.	20	
5	050370	5547/5547WDC Bottom Bracket Guide (includes screws)	1	
6	100316	5547/5547WDC Top Plate (includes screws)	1	
7	090033	5547WDC Top Plate Screw Pkg.	10	
8	900576	5547-F Plunger Release Bracket (includes screws)	1	X
9	090034	5547-F Plunger Release Bracket Screw Pkg.	10	X
10	900614	5547-F Flush Transom Release Bracket with Screws	1	X
11	090035	5547-F Flush Transom release Bracket Screw Pkg.	10	X

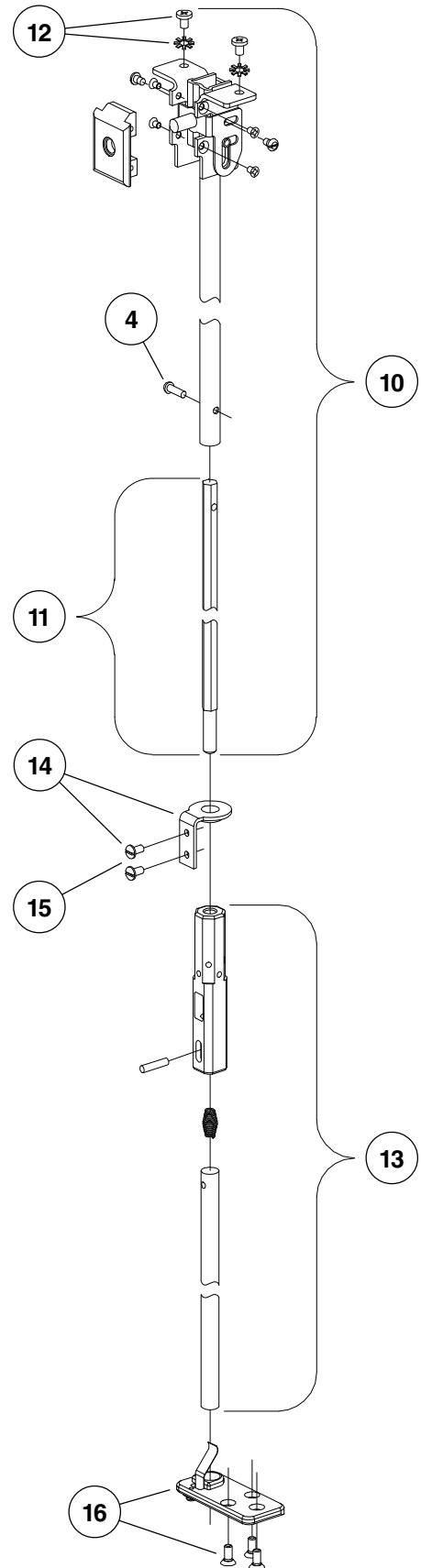
X in "Finish" column designates finished item; specify finish when ordering.



# VERTICAL RODS: 5547 DEVICE



# VERTICAL RODS: 5547-F DEVICE



## VERTICAL RODS: 5547 DEVICE

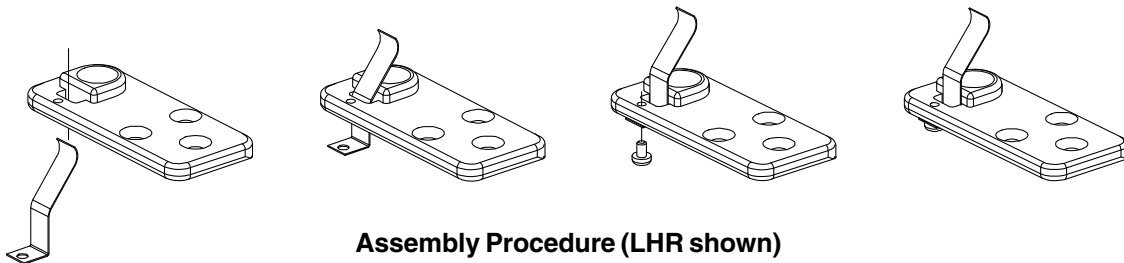
Item No.	Part No.	Description	Quantity	Finish
1	050053	5547 Top Rod Kit 6'8"-8' Door	1	
1	050372	5547 Top Rod Kit 8'-10' Door	1	
2	051704	5547 Extension Rod Kit 8'-10' Door	1	
3	090032	5547 Top Rod 1/8" x 5/8" Roll Pin Pkg.	10	
4	090011	5547 Rod Connector Rivet Pkg.	10	
5	090030	5547 Rod Connector Pin Pkg.	2	
6	050368	5547 Top Rod Connector with Pin	1	
7	050367	5547 Rod Control Housing	1	
8	050036	5547 Bottom Rod Kit	1	
9	050369	5547 Bottom Rod Connector with Pin	1	

X in "Finish" column designates finished item; specify finish when ordering.

## VERTICAL RODS: 5547-F DEVICE

Item No.	Part No.	Description	Quantity	Finish
10	050457	5547-F Top Rod Kit 6'8"-8' Door	1	X
10	050373	5547-F Top Rod Kit 8'-10' Door	1	X
11	051705	5547-F Extension Rod Kit 8'-10' Door	1	
12	900541	5547-F Rod Set Mounting Pkg.	1	
13	050458	5547-F Bottom Rod Kit	1	
14	105144	5547-F Rod Guide Pkg.	1	
15	090018	5547-F Rod Guide Mounting Screw Pkg.	10	
16	100741	5547-F Bottom Guide Pkg.	1	

X in "Finish" column designates finished item; specify finish when ordering.



**Assembly Procedure (LHR shown)**  
 5547-F Bottom Guide Pkg.  
 Part No. 100741

## VERTICAL RODS: 5547WDC DEVICE

Item No.	Part No.	Description	Quantity	Finish
17	050110	5547WDC Top Rod Kit 6'8"-8' Door	1	
17	050374	5547WDC Top Rod Kit 8'-10' Door	1	
18	051707	5547WDC Extension Rod Kit 8'-10' Door	1	
19	100315	5547WDC Latch Control	1	
20	050096	5547WDC Bottom Rod Kit	1	

X in "Finish" column designates finished item; specify finish when ordering.

