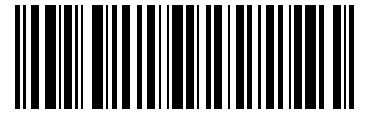


VON DUPRIN®

Installation Instructions



931222-00

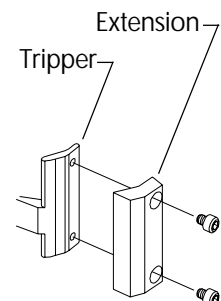
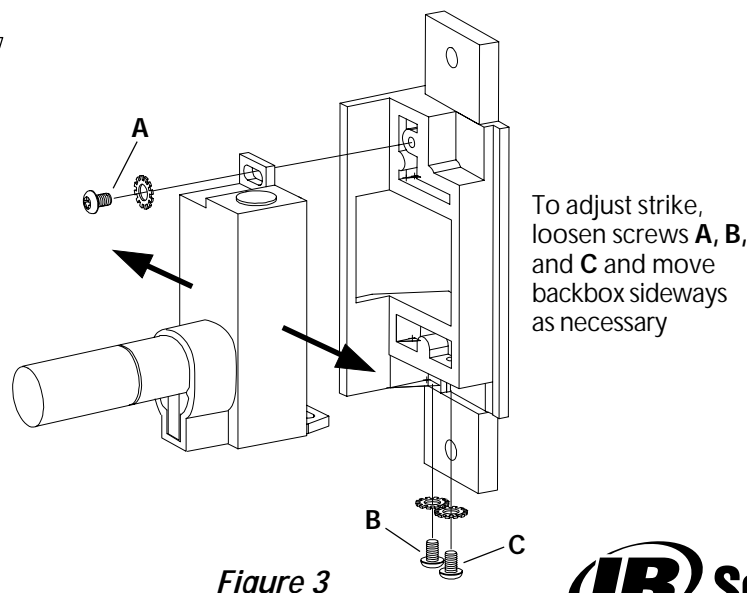
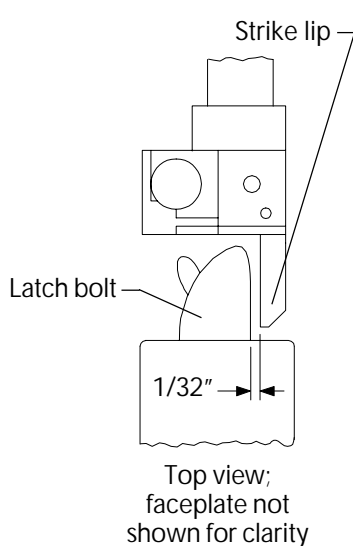
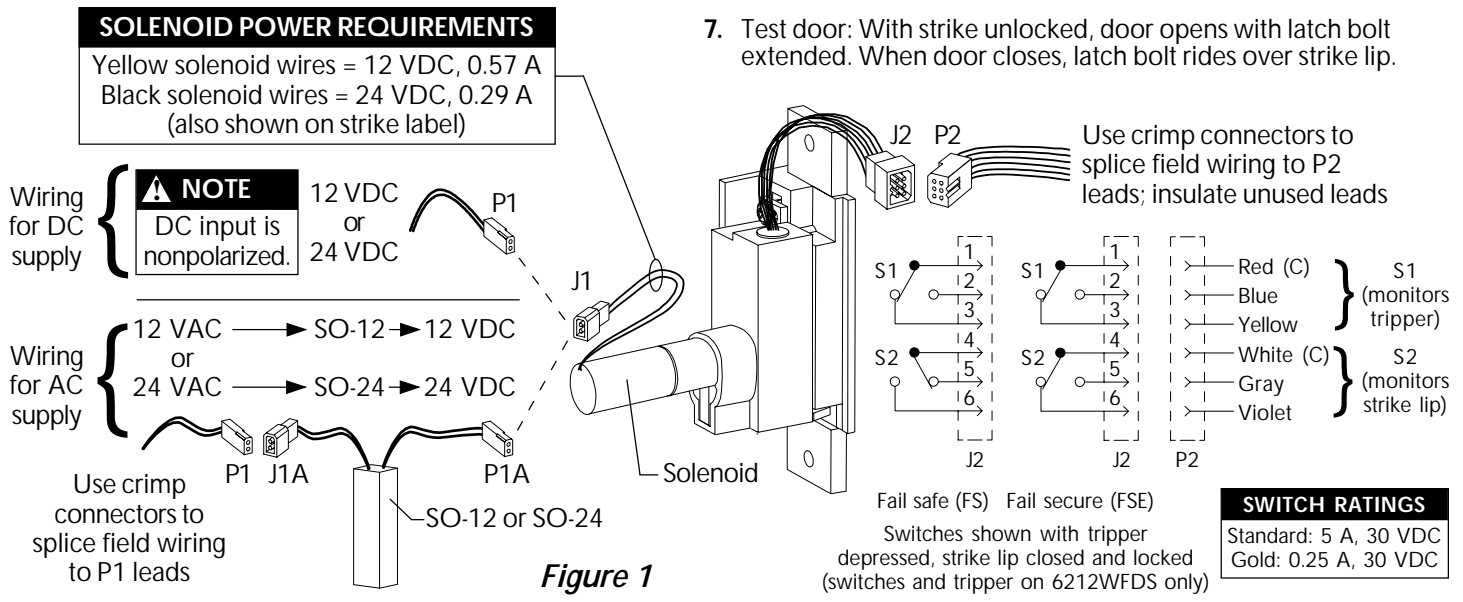
STRIKEFORCE® 6212WF/6212WFDS Electric Strike

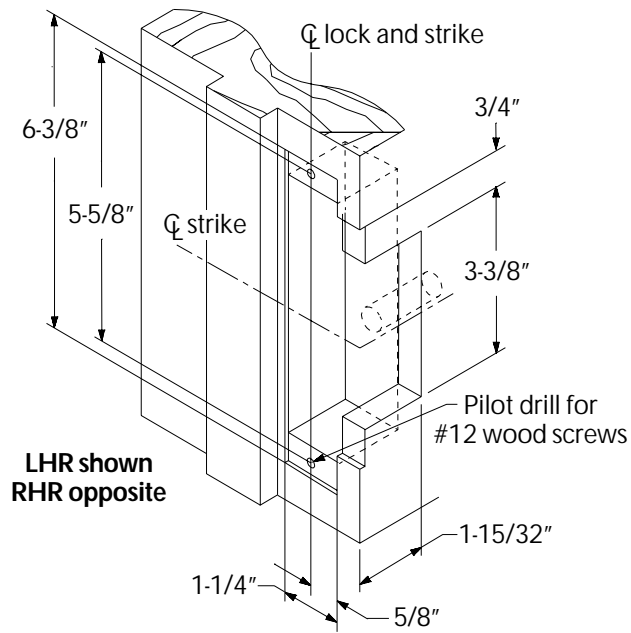
Single Door Wood Frame Mortise or Cylindrical Application

Notes: Deadbolt will not function with this strike.
Check with factory for retrofit applications.

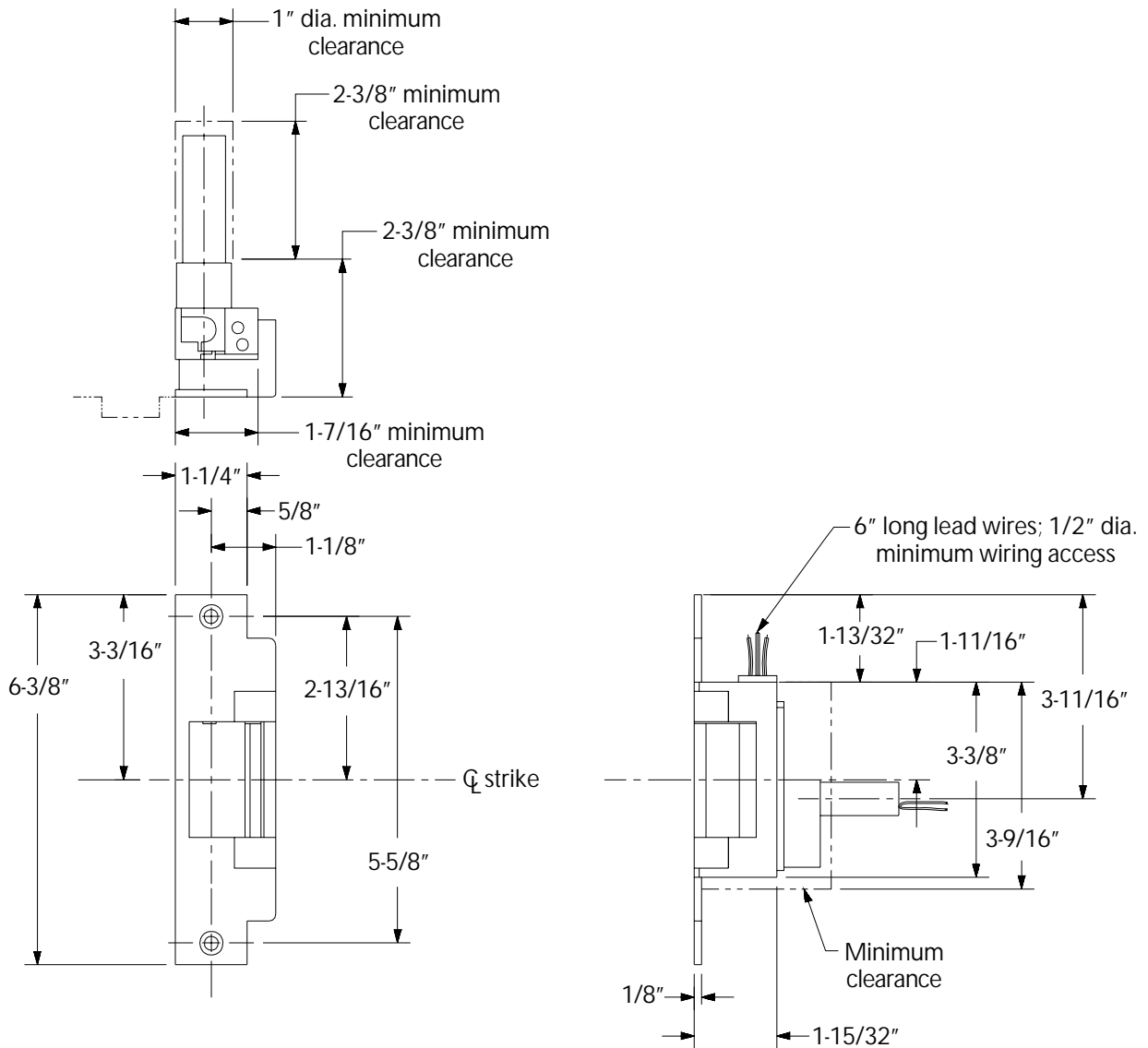
1. For lock or device preparation, see their directions.
2. Prepare frame for strike (see other side).
3. Wire strike (Figure 1). (Switches on 6212WFDS only.)

4. Test strike: Apply solenoid power. Fail secure (FSE) lip unlocks. Fail safe (FS) lip locks. Figure 1 shows status of switches.
5. Install strike with two #12-24 screws. Make sure clearance between latch bolt and strike lip is 1/32" (Figure 2). If not, uninstall strike, adjust (Figure 3), and reinstall.
6. If latch bolt does not extend far enough to actuate tripper, install extension (Figure 4). (Tripper on 6212WFDS only.)
7. Test door: With strike unlocked, door opens with latch bolt extended. When door closes, latch bolt rides over strike lip.





Door Preparation for Strike



Strike Dimensions and Required Clearances