

VON DUPRIN

PARTS MANUAL

JULY 2001



2670 EXIT ALARM LOCK

2609 DOUBLE DOOR EXIT ALARM LOCK



INDEX

2670 Exit Alarm Lock

Lock Side	3
Hinge Side	5

General Information

How to Order	2
Finishes	2
Outside Trim Functions	3
Strikes.....	3

PART NUMBER CHANGES

This manual reflects the product as sold in July 2001. Because of changes to the product and/or manufacturing process, part numbers can change.

2670 FINISHES

U.S. Std. Reference	BHMA Reference	Description
US28	628	Anodized Alum. (Clear)
313AN	710	Anodized Alum. (313) Dark Bronze
315AN	711	Anodized Alum. (315) Black

INTRODUCTION

This Manual contains a listing of replaceable parts and assemblies for the 2670 Exit Alarm Lock (EAL) Device and the 2609 Double Door Exit Alarm Lock. The 2609 Double Door Exit Alarm Lock contains a 2670 Device and Double Door Strike.

HOW TO ORDER

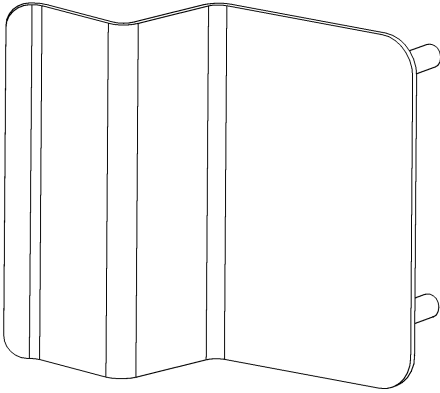
Some parts are sold separately. Other items are available as part of an assembly. For the best possible service when ordering replacement parts or assemblies, please provide the following information:

- Part or Assembly number
- Description
- Quantity needed
- Finish desired (if available finished)
- Date of original purchase, if known

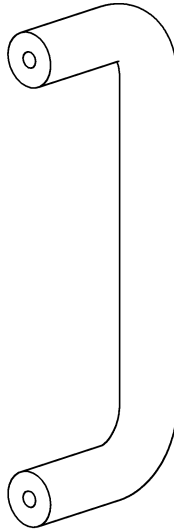
Exit Device Division
Ingersoll-Rand Company
2720 Tobey Drive
Indianapolis, Indiana 46219
Phone: (800) 999-0408
(317) 613-8944
Fax: (800) 999-0328
(317) 613-8302

OUTSIDE TRIM FUNCTIONS

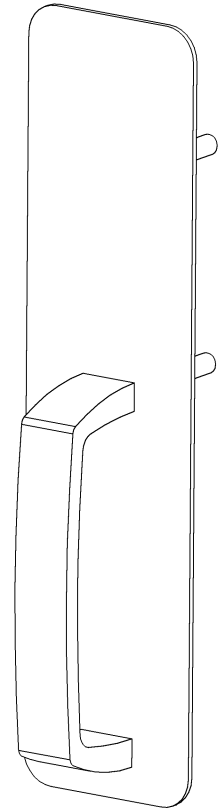
210DT



IVES - 8102 *

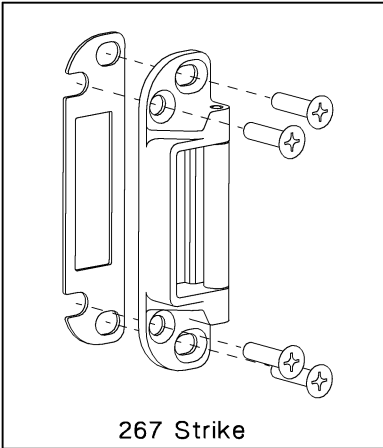


230DT



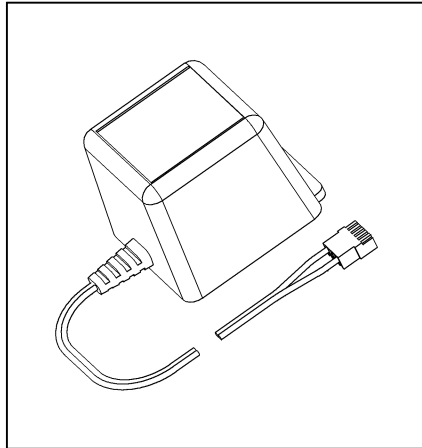
"DT" (Dummy Trim) for pull operation

STANDARD STRIKE

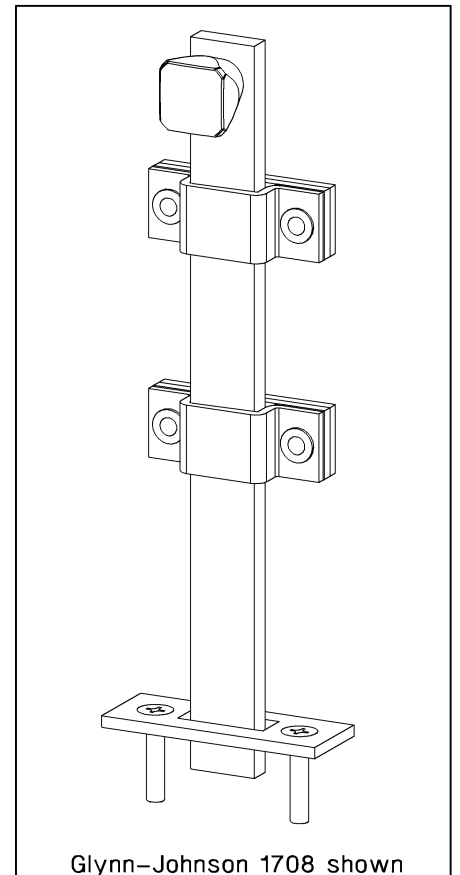


267 Strike

PT790 (Transformer)

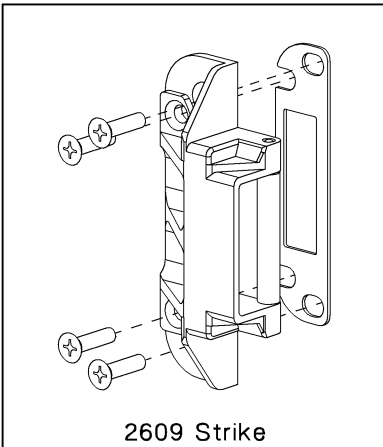


SURFACE OR FLUSH BOLTS



Glynn-Johnson 1708 shown

DOUBLE DOOR STRIKE



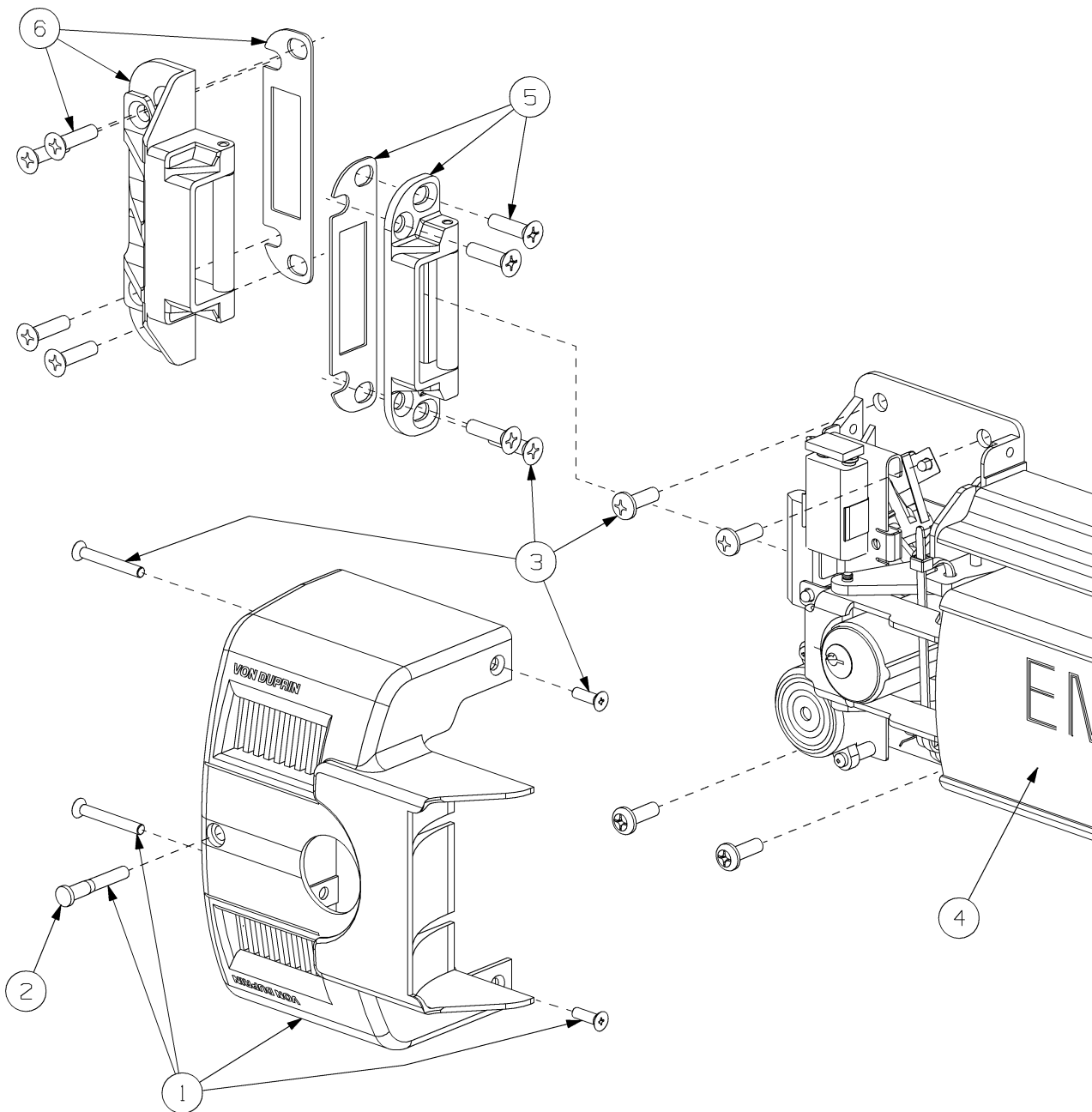
2609 Strike

* Ives products can be purchased separately.
Customer Service #(877) 613-8766 Fax #(877) 424-8494

2670 & 2609 EXIT ALARM LOCK (LOCKSIDE)

ITEM NO.	QTY	PART NO.	DESCRIPTION	FINISH
1	1	COVER.109	2670 Lock Cover Kit - US28	X
1	1	COVER.112	2670 Lock Cover Kit - 315AN	X
1	1	COVER.113	2670 Lock Cover Kit - 313AN	X
2	1	PIPE.101	Lightpipe Kit	
3	1	PKGSCR.1001	2670 Complete Mounting Screw Pack - SP28	X
3	1	PKGSCR.1002	2670 Complete Mounting Screw Pack - Black	X
4	1	SIGN.1001	2670 Alarm Sign - French w/Braille	
4	1	SIGN.1002	2670 Alarm Sign - Spanish w/Braille	
4	1	SIGN.1003	2670 Alarm Sign - English w/Braille	
5	1	STRIKE.101	267 Strike Package - US19	
6	1	STRIKE.102	2609 Strike Package - US19	

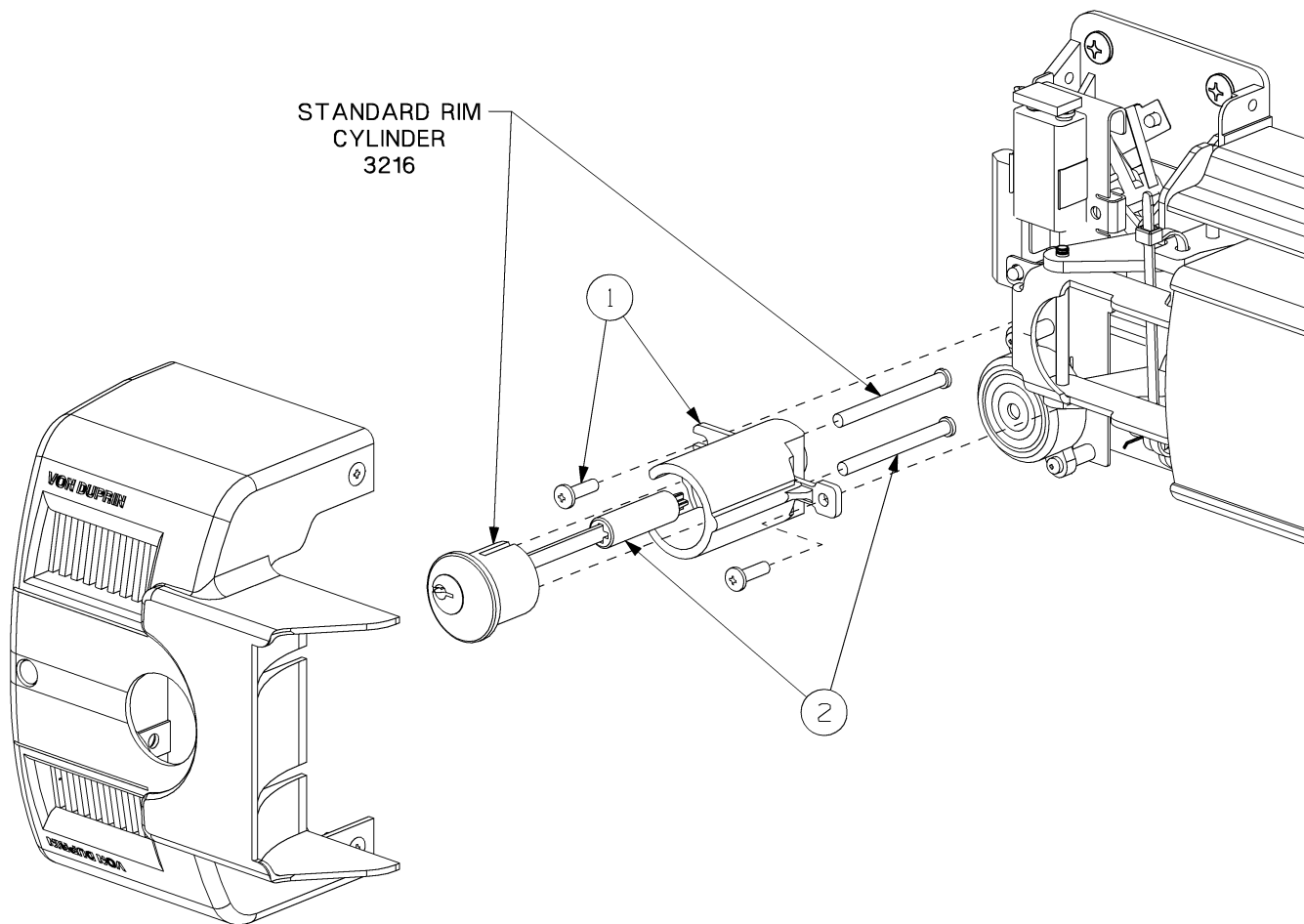
X DESIGNATES FINISHED ITEMS AND FINISH MUST BE SPECIFIED WHEN ORDERING



2670 & 2609 EXIT ALARM LOCK (LOCKSIDE)

ITEM NO.	QTY	PART NO.	DESCRIPTION	FINISH
1	1	BRKT.121	2670 Cylinder Retaining Bracket Kit	
2	1	PKGSCR.1001	2670 Complete Mounting Screw Pack - SP28	X
2	1	PKGSCR.1002	2670 Complete Mounting Screw Pack - Black	X

X DESIGNATES FINISHED ITEMS AND FINISH MUST BE SPECIFIED WHEN ORDERING



2670 & 2609 EXIT ALARM LOCK (HINGE SIDE)

ITEM NO.	QTY	PART NO.	DESCRIPTION	FINISH
1	1	COVER.114	2670 Hinge Cover Kit - US28	X
1	1	COVER.115	2670 Hinge Cover Kit - 315AN	X
1	1	COVER.116	2670 Hinge Cover Kit - 313AN	X
2	1	ECAP.105	2670 Pushbar Endcap Kit - US28	X
2	1	ECAP.106	2670 Pushbar Endcap Kit - 315AN	X
2	1	ECAP.107	2670 Pushbar Endcap Kit - 313AN	X
3	1	PKGSCR.1001	2670 Complete Mounting Screw Pack - SP28	X
3	1	PKGSCR.1002	2670 Complete Mounting Screw Pack - Black	X

X DESIGNATES FINISHED ITEMS AND FINISH MUST BE SPECIFIED WHEN ORDERING

