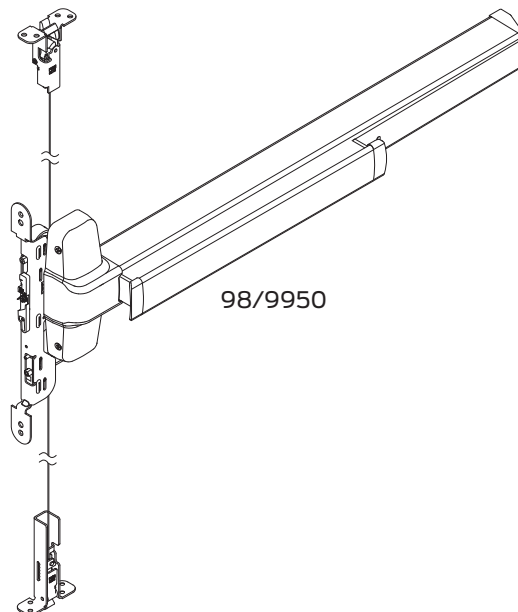
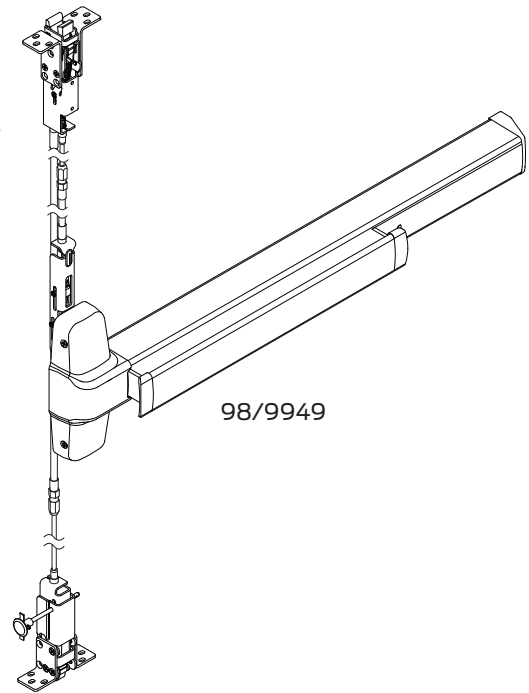
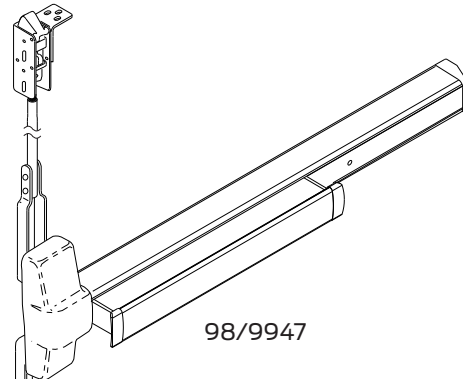


VON DUPRIN®

98/9947,
98/9949,
& 98/9950
Series Exit
Devices

Service manual



INDEX

| | |
|---|-------|
| 98/9947, 98/9949, & 98/9950WDC Devices | |
| Basic Device | 4-5 |
| Panic and Fire Metal Door Concealed Vertical Rods and Latches | 6-7 |
| WDC Wood Door Concealed Vertical Rods and Latches | 8-9 |
| Panic and Fire Metal Door Concealed Vertical Cables and Latches | 10-11 |
| WDC Wood Door Concealed Vertical Cables and Latches | 12-15 |
| Baseplate Assembly | 16 |
| Center Case Assembly | 17 |
| LBR (Less Bottom Rod) / LBL (Less Bottom Latch) Fire Latch Kit | 17 |
| Variations of the Basic Device | |
| CD (Cylinder Dogging) | 4-5 |
| HD-EL (Hex Dogging/Electric Latch Retraction) | 18 |
| EL (Electric Latch Retraction) | 19 |
| SS (Signal Switch) | 19 |
| RX (Request to Exit) | 20-21 |
| LX (Latch Bolt Monitoring) | 20-21 |
| CX (Chexit Discontinued) | 22 |
| CX (Chexit New) | 23 |
| CX (Chexit New RCM Option) | 24 |
| CX-CD/SD (Chexit/Special Dogging) | 25 |
| ALK (Exit Alarm Kit) | 26 |
| Service Replacement Items | 27-28 |
| General Information | |
| Introduction | 2 |
| How to Order | 2 |
| Part Number Changes | 2 |
| Finishes | 3 |
| Outside Trim Functions | 3 |
| Strikes | 3 |

INTRODUCTION

This manual contains a listing of replaceable parts and assemblies for the 98/9947 Concealed Vertical Rod Exit Devices and the 98/9949 / 98/9950WDC Concealed Vertical Cable Exit Devices. 98 Series and 99 Series devices are almost identical. The 99 Series has a grooved case; the 98 series has a smooth case.

HOW TO ORDER

Some parts are sold separately. Other items are available as part of a kit or multiple quantity package. For the best possible service when ordering replacement parts or assemblies, please provide the following information:

- Part number or assembly number
- Description
- Quantity needed
- Finish desired (if available finished)
- Date of original purchase (if known)

To find out the name of your local Von Duprin distributor or sales representative, contact:

Von Duprin Division
Allegion
2720 Tobey Drive
Indianapolis, Indiana 46219
Phone: (877) 671-7011

PART NUMBER AND AVAILABILITY CHANGES

This manual was designed to help illustrate the replacement parts and kits that are available for sale. Because of changes to the product and/or manufacturing process, part numbers and availability can change over time.

98/99 SERIES FINISHES

OUTSIDE TRIM FUNCTIONS

| | | | | | | | | |
|--|--|----------------|-------------------|------------------------|-------|-----------|------|-----------|
| | | | | | | | | |
| 992L 996L 992L-NL** 996L-NL** | 992L-BE* 996L-BE* 992L-DT*** 996L-DT*** | 992EO 996EO | 994L 994L-NL** | 994L-BE* 994L-DT*** | 994EO | | | |
| | | | | | | | | |
| 991K 991K-NL** | 991K-BE* 991K-DT*** | 990EO | 990DT*** | 990NL** | 990TP | 990TP-BE* | 376T | 110NL**** |

| U.S. Std Reference | BHMA Reference | Description |
|--------------------|----------------|-------------------------------------|
| US3 | 605 | Polished Brass |
| US4 | 606 | Dull Brass |
| US10 | 612 | Dull Bronze |
| US15 | 619 | Satin Nickel |
| US26 | 625 | Polished Chrome |
| US26D | 626 | Dull Chrome |
| US28 | 628 | Anodized Alum. (Clear) |
| US32D | 630 | Satin Stainless Steel |
| 313AN | 710 | Anodized Alum. (313) Dark Bronze |
| 315AN | 711 | Anodized Alum. (Black) |

* "BE" (Blank Escutcheon) no cylinder used - lever always active
 ** "NL" (Night Latch) rigid lever - key retracts latch bolt

*** "DT" (Dummy Trim) rigid lever for pull operation
 **** Optional Pull needs to be added

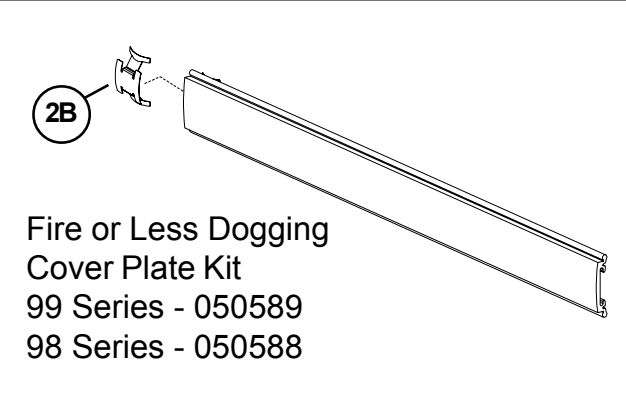
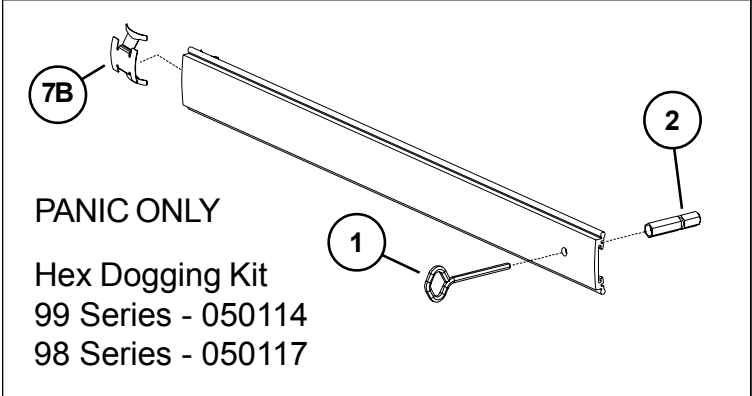
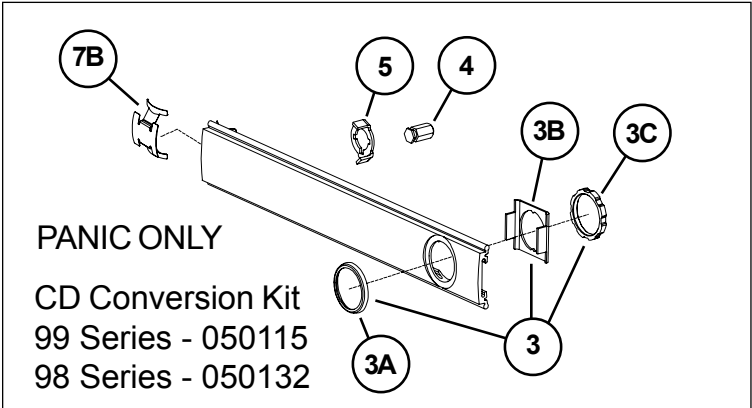
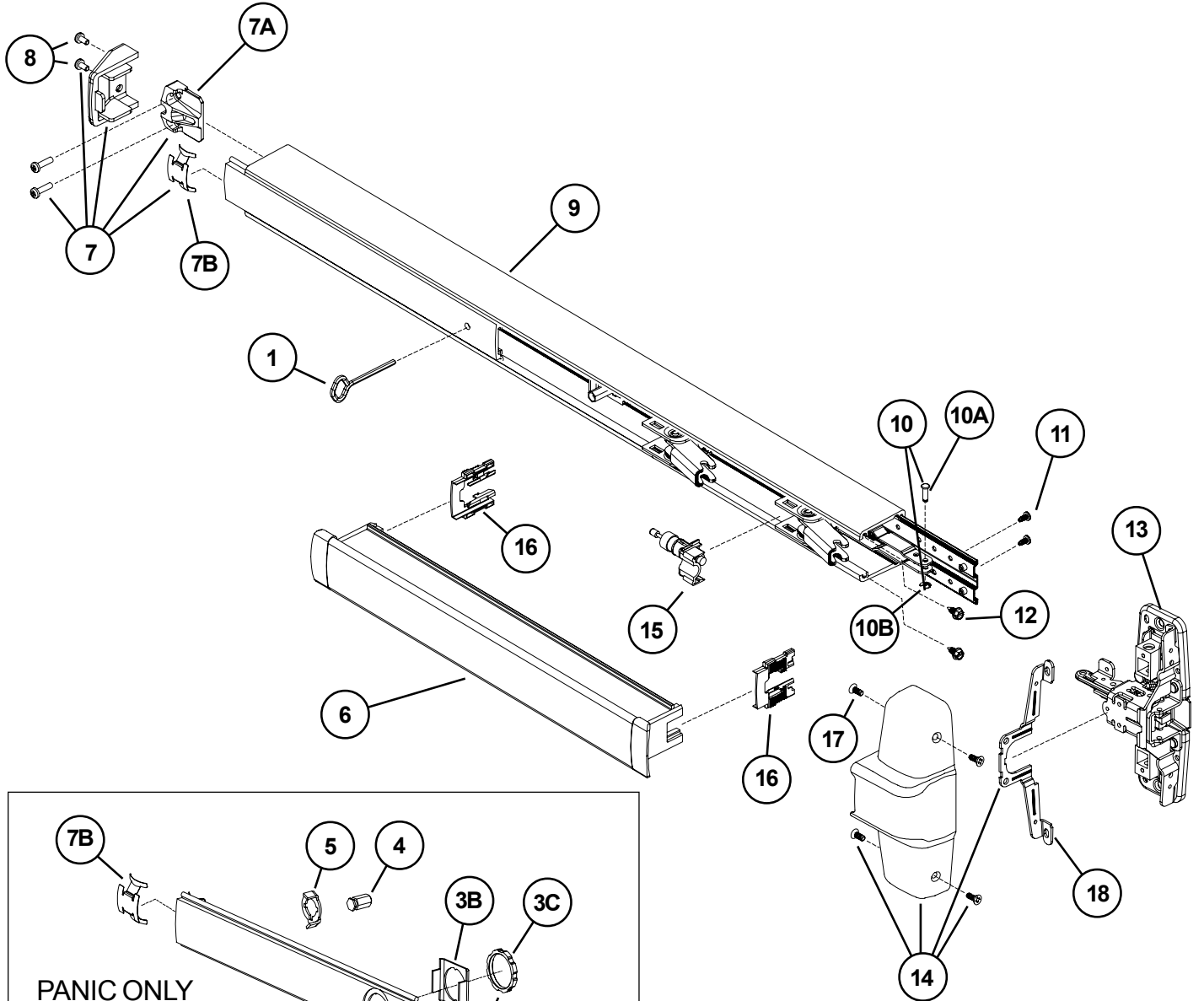
98/9947 STRIKES

98/9949 STRIKES

98/9950 STRIKES

| | | | | |
|---|--|---|---|---|
| <p>Screw Pkg 900285</p> <p>338 Strike (Top) Standard Panic or Fire Exit Hardware</p> | <p>385A Strike (Bottom) Panic or Fire Exit Hardware</p> | <p>2400741 349 Bottom Strike Kit Standard Panic or Fire Exit Hardware</p> | <p>Includes top latch mounting screws</p> <p>23945223 249 Top Strike Kit Standard Panic or Fire Exit Hardware</p> | <p>Includes shims and top latch mounting screws</p> <p>24665002 150 Top Strike Kit Standard Panic or Fire Exit Hardware</p> |
| <p>Screw 964191</p> <p>283 Strike (Top) Wood Frame</p> | <p>304L Strike (Bottom) Panic or Fire Exit Hardware</p> | <p>24230914 338 Strike Filler Plate (Top) used for 47 Series retrofit</p> | <p>47244841 WDC Strike Filler Plate (Top) used for 47 Series retrofit</p> | <p>Includes bottom latch mounting screws</p> <p>24664997 450 Bottom Strike Kit Standard Panic or Fire Exit Hardware</p> |

**98/9947 & 98/9949 PANIC DEVICE
98/9947-F & 98/9949-F FIRE DEVICE**



98/9947 & 98/9949 PANIC DEVICE
98/9947-F & 98/9949-F FIRE DEVICE

| Item No. | Quantity | Part No. | Description | Finish |
|----------|----------|----------|--|--------|
| | 1 | 900563 | 98/9947 & 98/9949 Series Mtg. Pkg. (1-3/4) | |
| | 1 | 900568 | 98/9947 & 98/9949 Series Mtg. Pkg. (2-1/4) | |
| 1 | 1 | 090085 | 227 Dog Key 5/32" Hex (Pkg of 10) | |
| 1 | 1 | 090005 | 227 Dog Key 5/32" Hex (Pkg of 2) | |
| 2 | 1 | 090040 | Hex Dog Shaft (Pkg of 2) | |
| 3 | 1 | 107813 | Cylinder Mounting Pkg | X |
| 3A | 1 | 050525 | Cylinder Collar | X |
| 3B | 1 | 050490 | Cylinder Locating Washer - CD/SS | |
| 3C | 1 | 050526 | Cylinder Locknut | |
| 4 | 1 | 090046 | CD Dogging Plug (Pkg of 2) | |
| 5 | 1 | 090045 | CD Actuator Arm (Pkg of 2) | |
| 6 | 1 | *PBKIT | 98/99 Series Push Bar Retrofit Kit - 3' Door | X |
| 6 | 1 | *PBKIT | 98/99 Series Push Bar Retrofit Kit - 4' Door | X |
| 7 | 1 | 050014 | 98/99 Series End Cap Kit | X |
| 7A | 1 | 050524 | Impact Resistant End Cap Bracket | |
| 7B | 1 | 090036 | Cover Plate Anti-rattle Spring (Pkg of 10) | |
| 8 | 1 | 900597 | Device End Cap and C/Case Screw Pkg. | X |
| 9 | 1 | 968144 | 99 Series Mechanism Case - 3' Door | X |
| 9 | 1 | 968146 | 99 Series Mechanism Case - 4' Door | X |
| 9 | 1 | 970191 | 98 Series Mechanism Case - 3' Door | X |
| 9 | 1 | 970192 | 98 Series Mechanism Case - 4' Door | X |
| 10 | 1 | 050529 | 98/99 Series Control Link Pin & Ret. Ring | |
| 10A | 1 | 090031 | 98/99 Series Control Link Pin (Pkg of 10) | |
| 10B | 1 | 090107 | Retaining Ring (Pkg of 10) | |
| 11 | 2 | 090037 | #8-32 x 3/8" Baseplate Screw (Pkg of 10) | |
| 12 | 2 | 090073 | Mechanism Case Bracket Screw (Pkg of 10) | |
| 13*** | 1 | 050022 | 98/9947-F & 98/9949-F C/Case Kit Less Cover | |
| 14** | 1 | 050073 | 98/9947-F & 98/9949-F C/Case Cover Kit | X |
| 15 | 1 | 050491 | Shock Absorber & Holder Assembly | |
| 16 | 2 | 090049 | Push Bar Guide (Pkg of 10) | |
| 17 | 4 | 900892 | Center Case Cover Screws (Pkg of 4) | X |
| 18 | 1 | 050564 | Center Case Cover Bracket | |

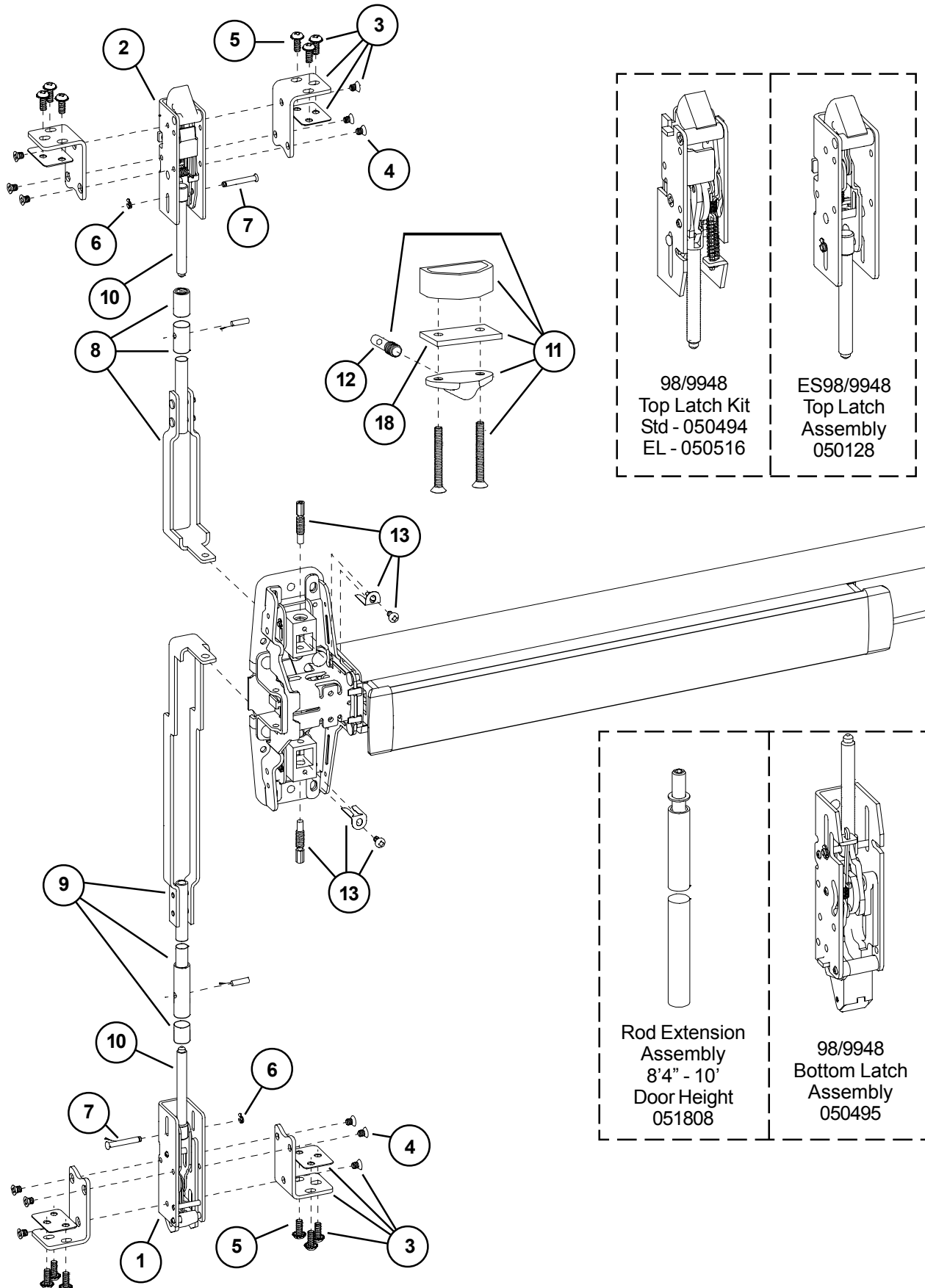
X in "Finish" column designates finished items; finish must be specified when ordering.

* To order, specify device type, size, and finish. Example: PBKIT 98 3' US28

**Includes parts for three-piece cover conversion.

***Center case assembly parts shown on page 17.

98/9947 & 98/9947-F METAL DOOR VERTICAL RODS AND LATCHES



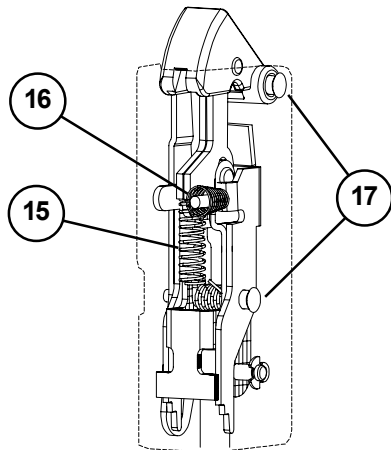
98/9947 & 98/9947-F METAL DOOR VERTICAL RODS AND LATCHES

| Item No. | Quantity | Part No. | Description | Finish |
|----------|----------|----------|--|--------|
| * | 1 | 050047 | 98/9948 Latch Retrofit Kit-(non EL) | |
| * | 1 | 050048 | 98/9948-F Latch Retrofit Kit-(non EL) | |
| * | 1 | 050522 | EL98/9948 Latch Retrofit Kit | |
| * | 1 | 050523 | EL98/9948-F Latch Retrofit Kit | |
| 1** | 1 | 050493 | 98/9947 Bottom Latch Kit | |
| 2** | 1 | 050492 | 98/9947 Top Latch Kit | |
| 3** | 2 | 109324 | 98/9947 Latch Mtg Bracket | |
| 3** | 2 | 112868 | 98/9948 Latch Mtg Bracket | |
| 4 | 6 | 090059 | Latch Bracket Mtg Screw (Latch) | |
| 5 | 6 | 090061 | Latch Bracket Mtg Screw (Metal Door) | |
| 5 | 6 | 900856 | Latch Bracket Mtg Screw (Wood Door) | |
| 6 | 2 | 090063 | Retaining Ring (Pkg of 10) | |
| 7 | 2 | 090064 | Latch Link Pin (Pkg of 10) | |
| 8 | 1 | 050574 | Adjustable Top Rod 6'8" - 8'4" Door | |
| 9 | 1 | 050575 | Adjustable Bottom Rod Kit | |
| 10 | 2 | 090071 | 98/9947 Rod Connecting Screw (Pkg of 2) | |
| 10 | 2 | 090072 | 98/9948 Rod Connecting Screw (Pkg of 2) | |
| 11 | 1 | 106222 | Ratchet Release Pkg | X |
| 12 | 1 | 090070 | Ratchet Release Screw | |
| 13 | 1 | 900620 | 98/9947 Adjusting Screw Package (Pkg of 2) | |
| 13 | 1 | 900898 | 98/9947 Adjusting Screw LBR Package | |
| 14 | 1 | 090065 | Bolt Return Spring (Pkg of 10) | |
| 15 | 1 | 090066 | Top Latch Compression Spring (Pkg of 10) | |
| 16 | 1 | 090069 | Ratchet Lever Spring (Pkg of 2) | |
| 17 | 1 | 090062 | Btm Latch Case Spirol Pin (Pkg of 10) | |
| 18 | 1 | 970978 | 98/9947 Ratchet Release Spacer | |

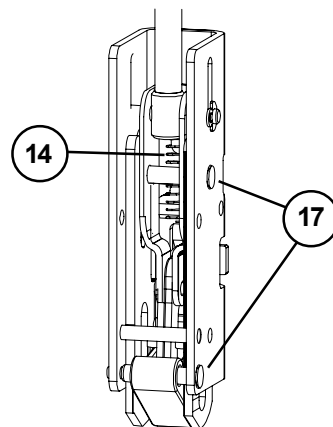
X in "Finish" column designates finished items; finish must be specified when ordering.

*Retrofit kit includes items 1-3 to convert 98/9947 to 98/9948.

**Each latch kit (item 1-2) includes only one latch mtg bracket (item 3). Panic device uses only 1 mounting bracket per latch while Fire (F) device uses 2 per latch. For service replacement only. Refer to retrofit kits to convert 98/9947 to 98/9948.

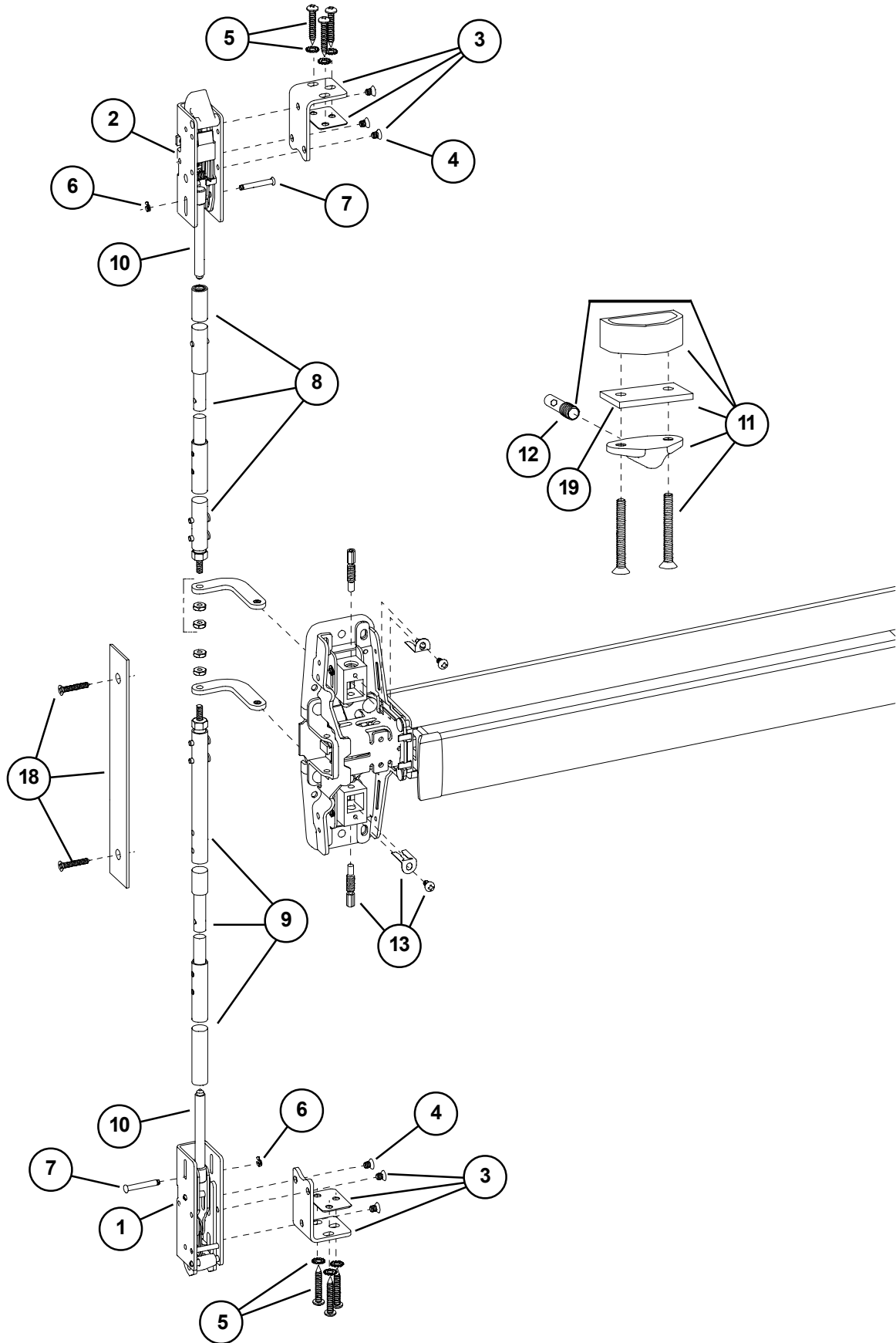


98/9947 Top Latch



98/9947 Bottom Latch

98/9947 & 98/9947-F WDC (WOOD DOOR CONCEALED) VERTICAL RODS AND LATCHES

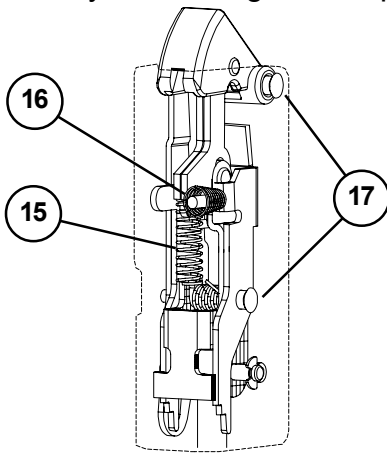


98/9947 & 98/9947-F WDC (WOOD DOOR CONCEALED) VERTICAL RODS AND LATCHES

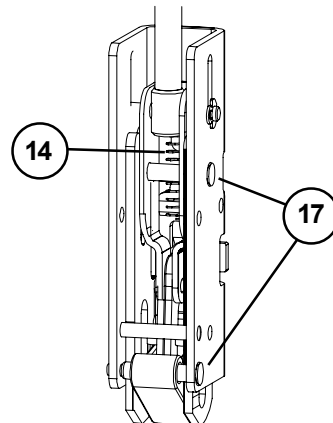
| Item No. | Quantity | Part No. | Description | Finish |
|----------|----------|----------|--|--------|
| 1* | 1 | 050493 | 98/9947 Bottom Latch Kit | |
| 2* | 1 | 050492 | 98/9947 Top Latch Kit | |
| 3* | 2 | 109324 | 98/9947 Latch Mtg Bracket | |
| 4 | 6 | 090059 | Latch Bracket Mtg Screw (Latch) | |
| 5 | 1 | 900856 | WDC Auxiliary Mtg. Package | |
| 6 | 2 | 090063 | Retaining Ring (Pkg of 10) | |
| 7 | 2 | 090064 | Latch Link Pin (Pkg of 10) | |
| 8 | 1 | 050582 | WDC Adjustable Top Rod 6'8" - 8'4" Door | |
| 9 | 1 | 050583 | WDC Adjustable Bottom Rod Kit | |
| 10 | 2 | 090071 | 98/9947 Rod Connecting Screw (Pkg of 2) | |
| 10 | 2 | 090072 | 98/9948 Rod Connecting Screw (Pkg of 2) | |
| 11 | 1 | 106222 | Ratchet Release Pkg | X |
| 12 | 1 | 090070 | Ratchet Release Screw (Pkg of 2) | |
| 13 | 1 | 900620 | 98/9947/48 Rod Adjust Pkg | |
| 13 | 1 | 900898 | LBR Adjusting Screw Pkg | |
| 14 | 1 | 090065 | Bolt Return Spring (Pkg of 10) | |
| 15 | 1 | 090066 | Top Latch Compression Spring (Pkg of 10) | |
| 16 | 1 | 090069 | Ratchet Lever Spring (Pkg of 2) | |
| 17 | 1 | 090062 | Btm Latch Case Spirol Pin (Pkg of 10) | |
| 18 | 1 | 050088 | 98/9947WDC & 98/9949WDC Scalp Plate | X |
| 19 | 1 | 970978 | 98/9947 Ratchet Release Spacer | |

X in "Finish" column designates finished items; finish must be specified when ordering.

*Each latch kit (item 1-2) includes only one latch mtg bracket (item 3). All WDC devices require only 1 mounting bracket per latch.

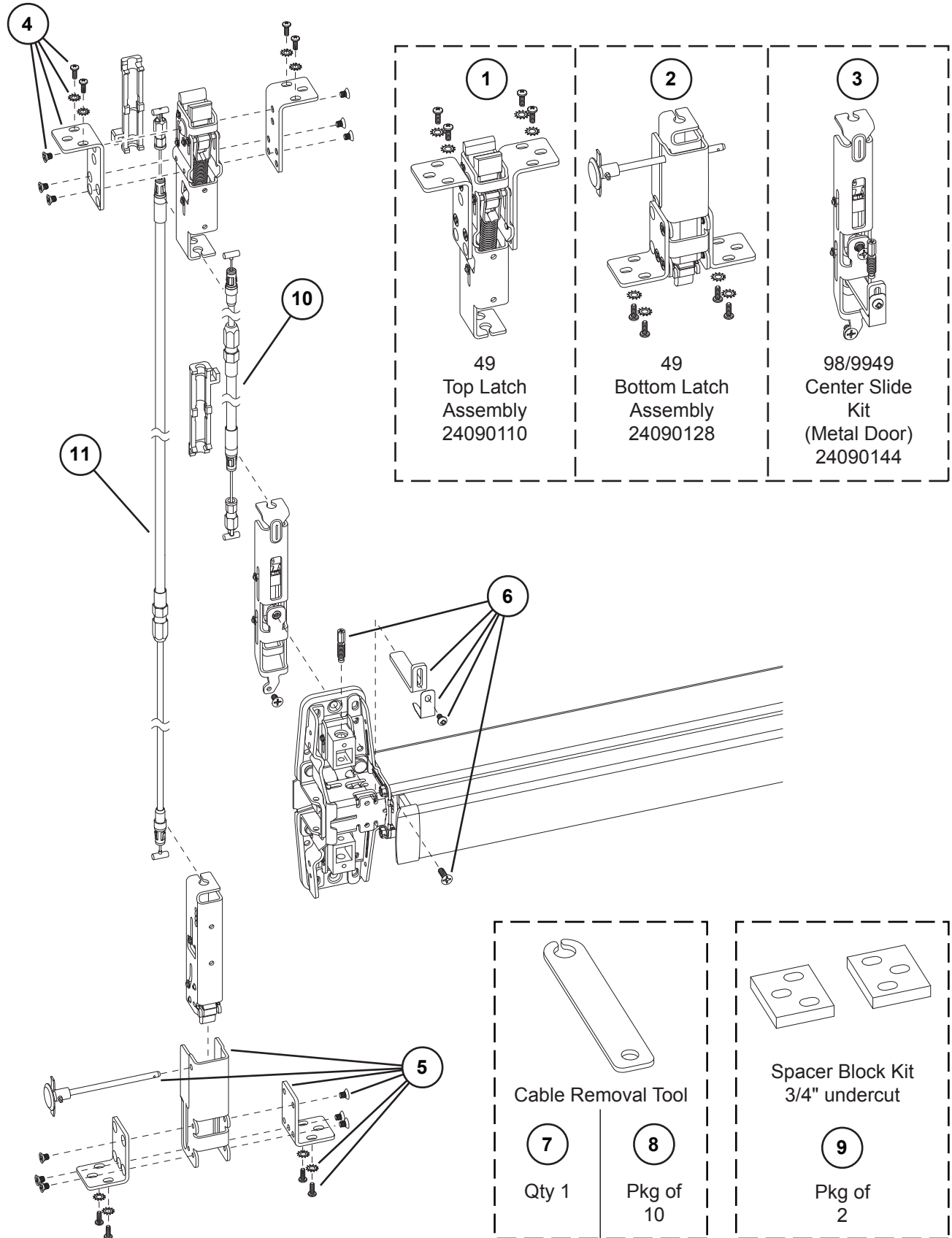


98/9947 Top Latch



98/9947 Bottom Latch

98/9949 & 98/9949-F METAL DOOR VERTICAL CABLES AND LATCHES



98/9949 & 98/9949-F METAL DOOR VERTICAL CABLES AND LATCHES

| Item No. | Quantity | Part No. | Description | Finish |
|----------|----------|----------|---|--------|
| 1 * | 1 | 24090110 | 49 Top Latch Assembly | |
| 2 | 1 | 24090128 | 49 Bottom Latch Assembly | |
| 3 | 1 | 24090144 | 98/9949 Center Slide Kit (Metal Door) | |
| 4 * | 1 | 23946429 | 49 Top Mounting Pkg | |
| 5 | 1 | 23946437 | 49 Bottom Mounting Pkg | |
| 6 | 1 | 23946445 | 98/9949 HM/AL Center Slide Mounting Pkg | |
| 7 | 1 | 24052979 | Cable Removal Tool | |
| 8 | 10 | 24090706 | Cable Removal Tool (Pkg of 10) | |
| 9 | 2 | 24231516 | Spacer Block Kit - 3/4" undercut (Pkg of 2) | |

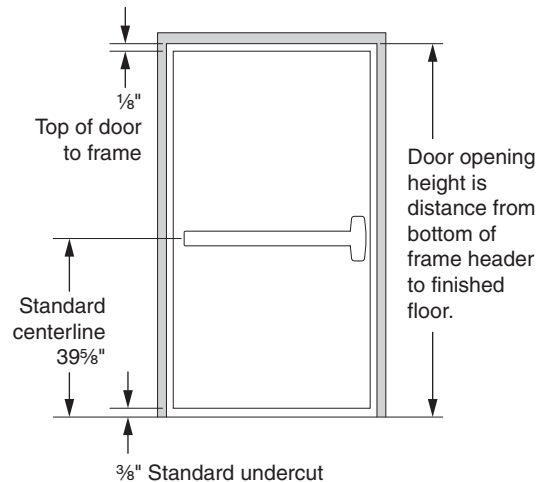
*A cable removal tool is included with the assembly/package.

Each latch assembly includes two latch mounting brackets.

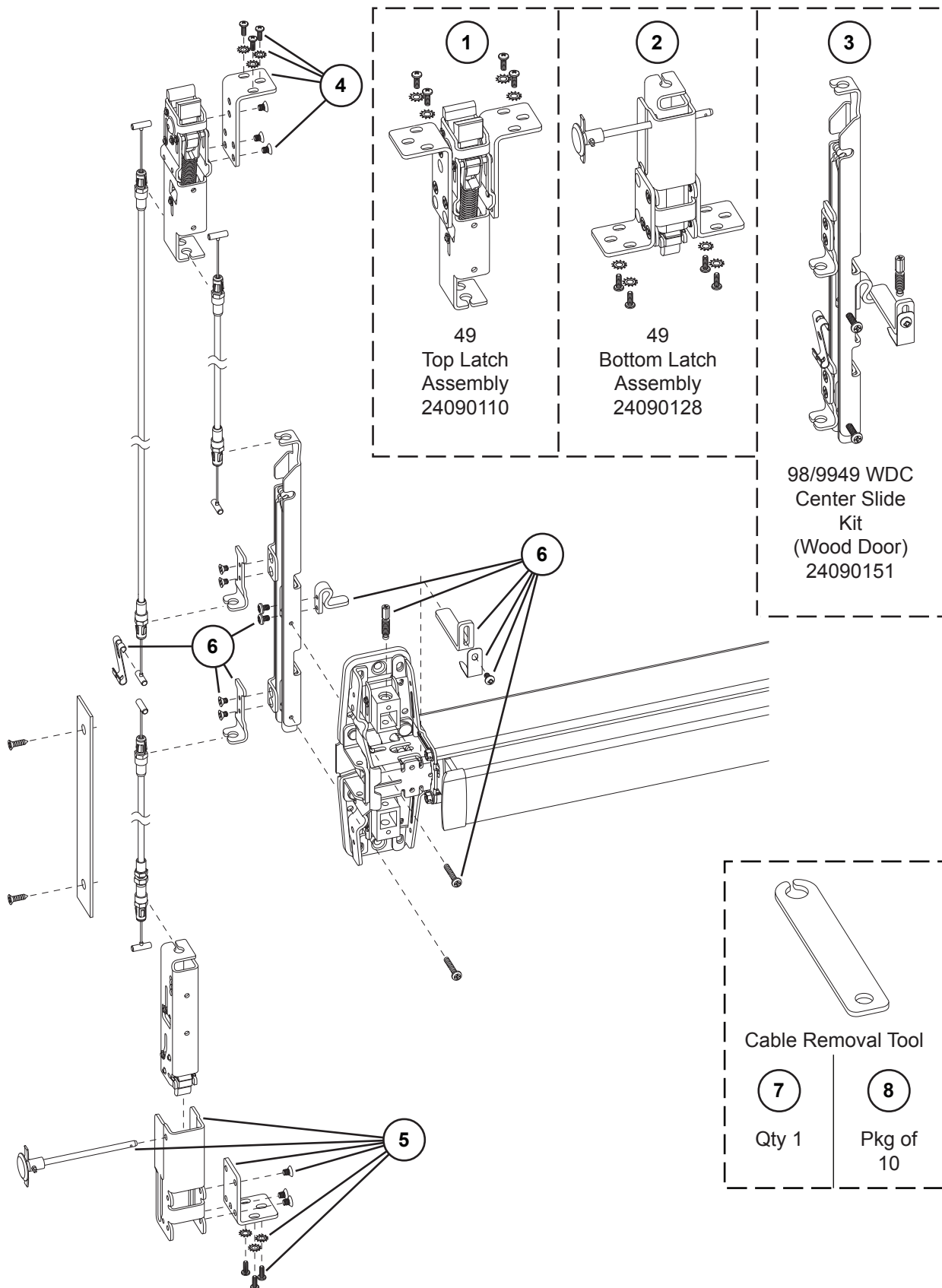
STANDARD SIZE CABLES

| Item No. | Quantity | Part No. | Description / Door Opening Height * | Finish |
|----------|----------|----------|-------------------------------------|--------|
| 10 | 1 | 47250175 | Top Cable (6' 10" - 8' 0") | |
| 10 | 1 | 47250176 | Top Cable (8' 0" - 9' 2") | |
| 10 | 1 | 47250177 | Top Cable (9' 2" - 10' 4") | |
| 11 | 1 | 47250178 | Bottom Cable (6' 10" - 8' 0") | |
| 11 | 1 | 47250179 | Bottom Cable (8' 0" - 9' 2") | |
| 11 | 1 | 47250180 | Bottom Cable (9' 2" - 10' 4") | |

*Based on standard centerline of 39 $\frac{5}{8}$ " from finished floor



98/9949 & 98/9949-F WDC (WOOD DOOR CONCEALED) VERTICAL CABLES AND LATCHES



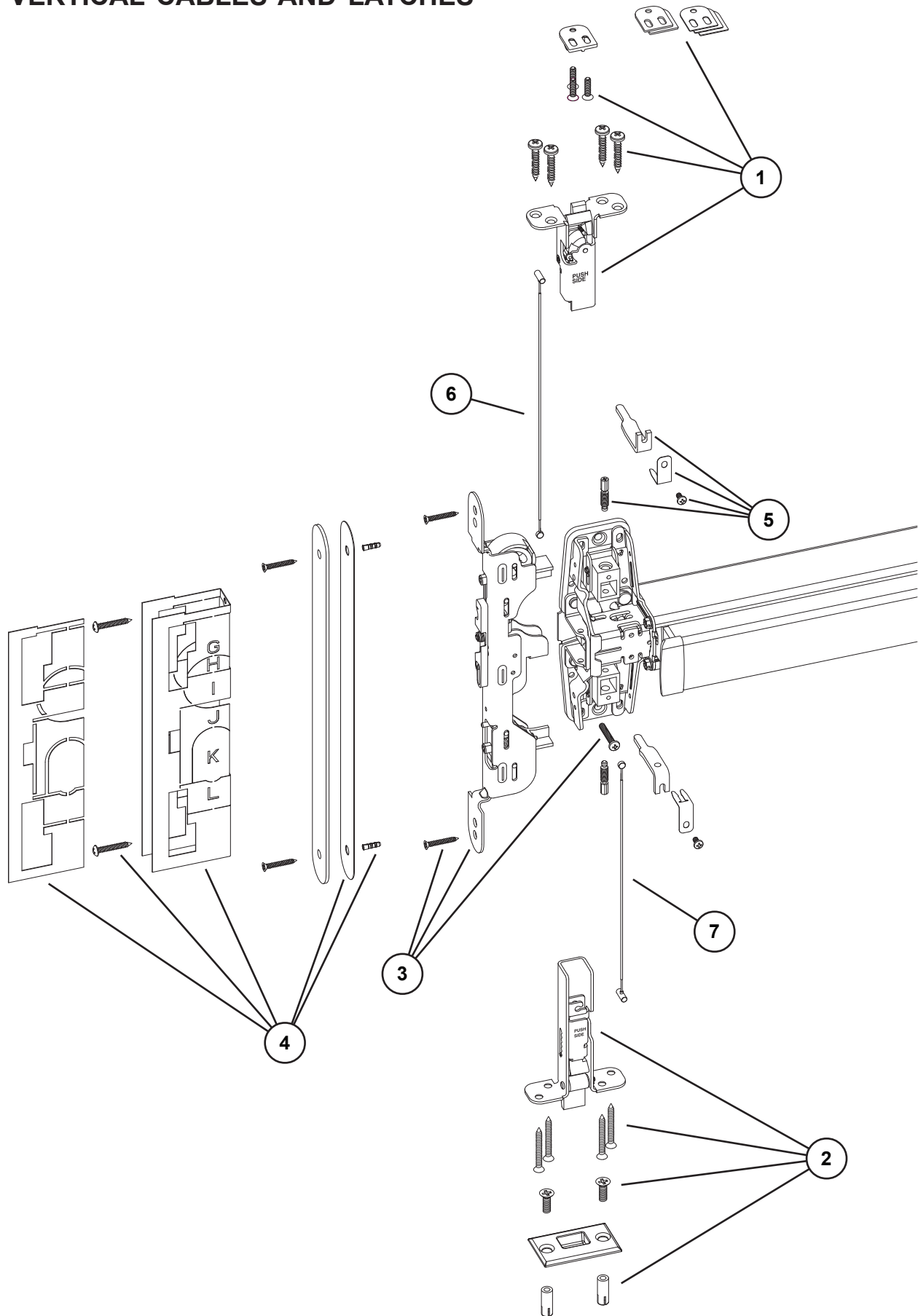
**98/9949 & 98/9949-F WDC (WOOD DOOR CONCEALED)
VERTICAL CABLES AND LATCHES**

| Item No. | Quantity | Part No. | Description | Finish |
|----------|----------|----------|---|--------|
| 1 * | 1 | 24090110 | 49 Top Latch Assembly | |
| 2 | 1 | 24090128 | 49 Bottom Latch Assembly | |
| 3 * | 1 | 24090151 | 98/9949 WDC Center Slide Kit (Wood Door) | |
| 4 * | 1 | 23946429 | 49 Top Mounting Pkg | |
| 5 | 1 | 23946437 | 49 Bottom Mounting Pkg | |
| 6 | 1 | 24010902 | 98/9949 WDC Center Slide Mounting Pkg | |
| 7 | 1 | 24052979 | Cable Removal Tool | |
| 8 | 10 | 24090706 | Cable Removal Tool (Pkg of 10) | |
| 9 | 2 | 24231516 | Spacer Block Kit - 3/4" undercut (Pkg of 2) | |

*A cable removal tool is included with the assembly/package.

Each latch assembly includes two latch mounting brackets.

98/9950WDC & 98/9950WDC-F (WOOD DOOR CONCEALED) VERTICAL CABLES AND LATCHES

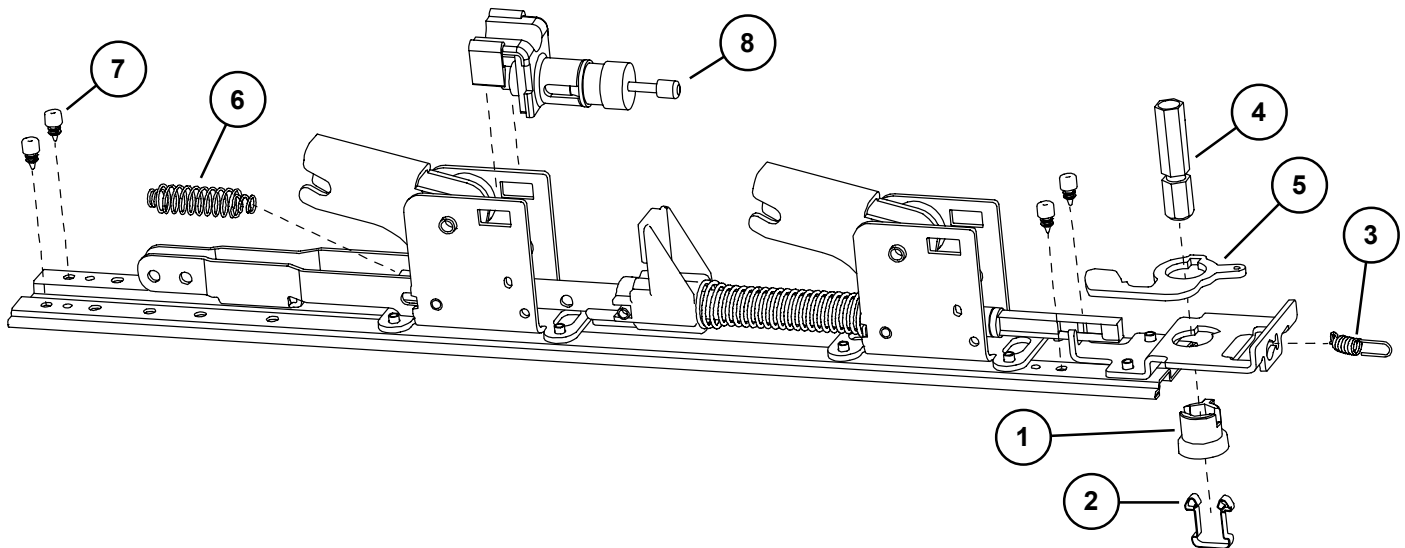


**98/9950WDC & 98/9950WDC-F (WOOD DOOR CONCEALED)
VERTICAL CABLES AND LATCHES**

| Item No. | Quantity | Part No. | Description | Finish |
|----------|----------|----------|-----------------------------|--------|
| 1 | 1 | 48968820 | 50WDC Top Latch Kit | |
| 2 | 1 | 48968838 | 50WDC Bottom Latch Kit | |
| 3 | 1 | 48973291 | 98/9950WDC Center Slide Kit | |
| 4 | 1 | 48968861 | 98/9950WDC-F Fire Kit | |
| 5 | 1 | 24685554 | 98/9950WDC Lift Finger Kit | |
| 6 | 1 | 24648180 | Top Cable 6'8"-7'0" WDC | |
| 6 | 1 | 24647273 | Top Cable 7'1"-8'0" WDC | |
| 6 | 1 | 24647281 | Top Cable 8'1"-9'0" WDC | |
| 6 | 1 | 24647299 | Top Cable 9'1"-10'0" WDC | |
| 7 | 1 | 24647265 | Bottom Cable WDC | |

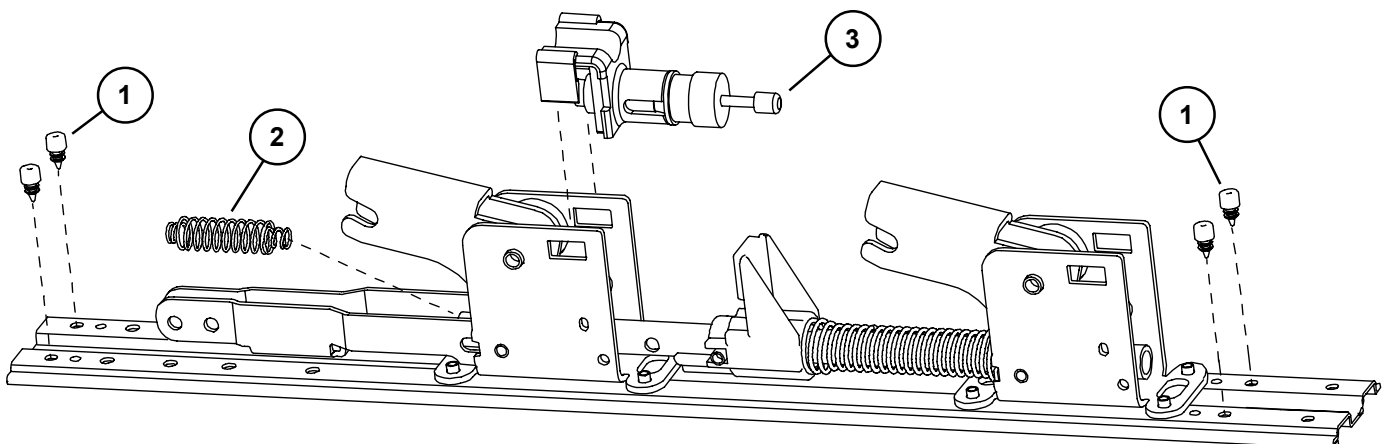
98/9947, 98/9949, & 98/9950 PANIC DEVICE BASEPLATE ASSEMBLY

| Item No. | Quantity | Part No. | Description | Finish |
|----------|----------|----------|-----------------------------------|--------|
| 1 | 1 | 090043 | Dogging adapter (Pkg of 2) | |
| 2 | 1 | 090042 | Dogging adapter spring (Pkg of 2) | |
| 3 | 1 | 090041 | Dogging spring (Pkg of 2) | |
| 4 | 1 | 090040 | Hex dogging shaft (Pkg of 2) | |
| 5 | 1 | 090044 | Dogging hook (Pkg of 2) | |
| 6 | 1 | 090039 | Latch return spring (Pkg of 10) | |
| 7 | 4 | 090038 | Rubber bumper (Pkg of 4) | |
| 8 | 1 | 050491 | Shock absorber | |



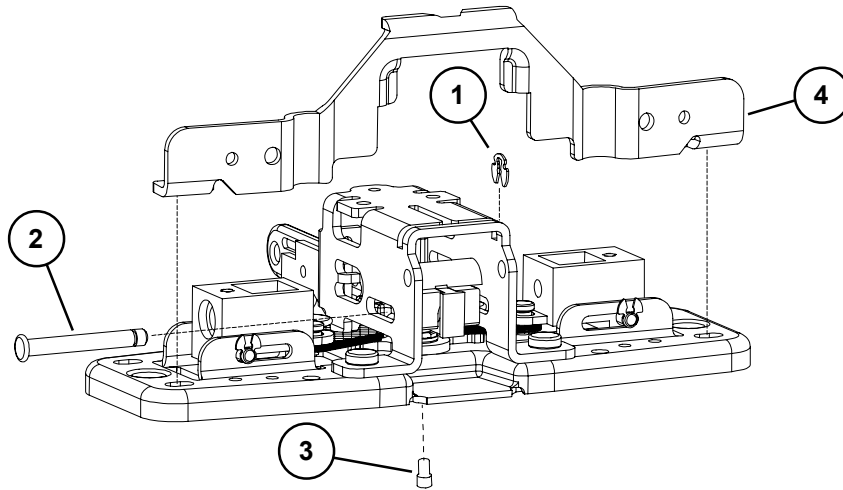
98/9947-F, 98/9949-F, & 98/9950-F FIRE DEVICE BASEPLATE ASSEMBLY

| Item No. | Quantity | Part No. | Description | Finish |
|----------|----------|----------|---------------------------------|--------|
| 1 | 4 | 090038 | Rubber bumper (Pkg of 4) | |
| 2 | 1 | 090039 | Latch return spring (Pkg of 10) | |
| 3 | 1 | 050491 | Shock absorber | |



98/9947, 98/9949, & 98/9950 DEVICE CENTER CASE ASSEMBLY

| Item No. | Quantity | Part No. | Description | Finish |
|----------|----------|----------|---------------------------------|--------|
| 1 | 2 | 090107 | Retaining Ring (Pkg of 10) | |
| 2 | 2 | 090079 | Latch Bolt Pin (Pkg of 10) | |
| 3 | 1 | 090074 | NL Drive Screw (Pkg of 10) | |
| 4 | 1 | 050565 | Center Case Reinforcing Bracket | |



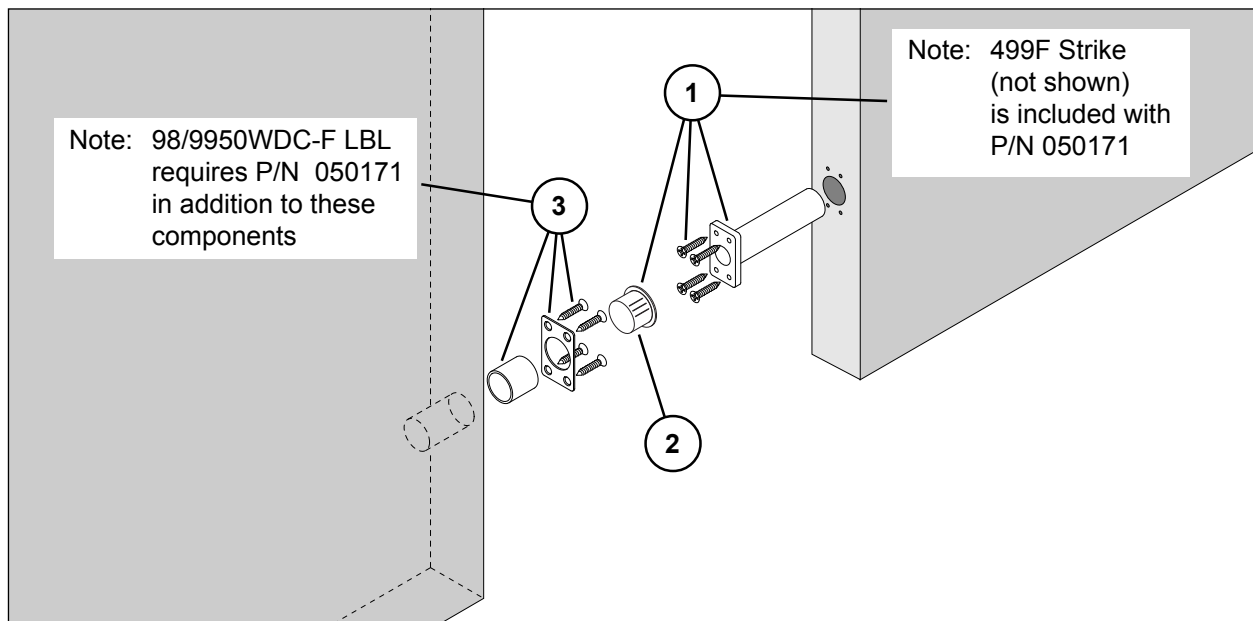
98/9947-F LBR (LESS BOTTOM ROD)

98/9949-F LBL (LESS BOTTOM LATCH)

98/9950WDC-F LBL (LESS BOTTOM LATCH)

FIRE LATCH KIT

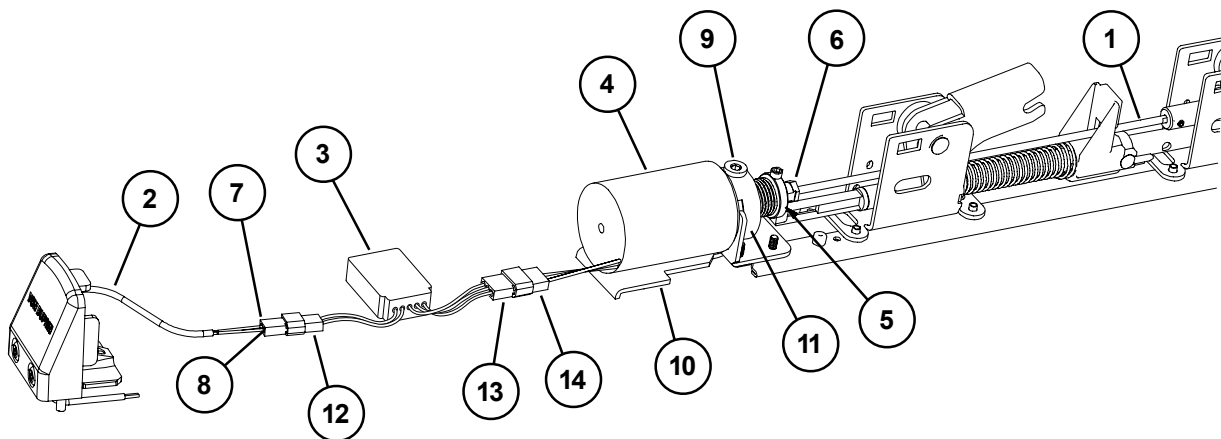
| Item No. | Quantity | Part No. | Description | Finish |
|----------|----------|----------|-------------------------------|--------|
| 1 | 1 | 050171 | LBR/LBL Fire Latch/Strike Kit | |
| 2 | 1 | 050509 | LBR/LBL Fire Strike Plug | |
| 3 | 1 | 48968887 | 50WDC Fire Pin Kit | |



**HD-EL9847/HD-EL9947, HD-EL9849/HD-EL9949, & HD-EL9850/HD-EL9950
HEX DOGGING/ELECTRIC LATCH
RETRACTION OPTION - PANIC DEVICE ONLY**

| Item No. | Quantity | Part No. | Description | Finish |
|----------|----------|----------|--------------------------------------|--------|
| 1 | 1 | 050531 | EL Dogging Rod Kit - 3' device | |
| 1 | 1 | 050532 | EL Dogging Rod Kit - 4' device | |
| 2 | 1 | 110388 | EL 6' Cable and Connector | |
| 3 | 1 | 050534 | EL Potted Module | |
| 4 | 1 | 050536 | HD-EL Solenoid | |
| 5 | 1 | 050537 | HD-EL Solenoid Plunger | |
| 6 | 1 | 050538 | EL Dogging Rod Retainer | |
| 7 | 1 | 050539 | EL Receptacle Connector - 2 Position | |
| 8 | 2 | 050540 | EL Female Terminal | |
| 9 | 1 | 050541 | HD-EL Dog Screw | |
| 10 | 1 | 050542 | HD-EL Solenoid Bracket | |
| 11 | 1 | 050543 | HD-EL Dogging Spring | |
| 12 | 1 | 990599 | EL Plug Connector - 2 Position | |
| 13 | 1 | 990857 | EL Receptacle Connector - 3 Position | |
| 14 | 1 | 990858 | EL Plug Connector - 3 Position | |
| * | 1 | 050384 | HD-EL Conversion Kit - 3' | |
| * | 1 | 050385 | HD-EL Conversion Kit - 4' | |

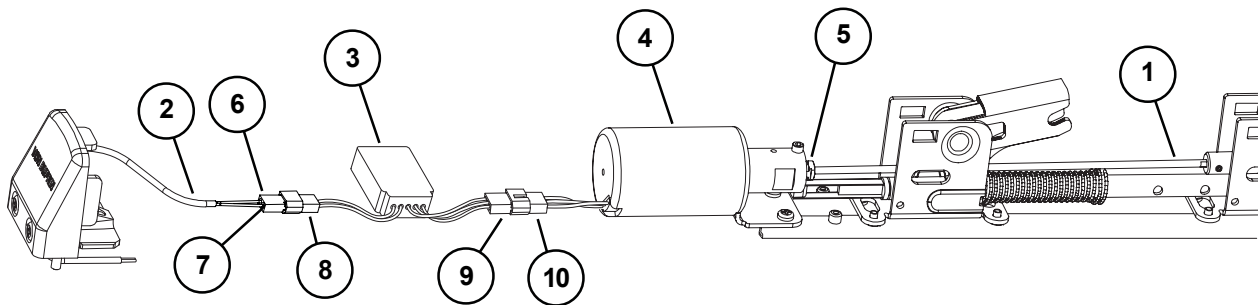
*Kit includes items 1-11 plus new control link, retaining ring, and baseplate screws.



EL9847/EL9947, EL9849/EL9949, & EL9850/EL9950 SERIES ELECTRIC LATCH RETRACTION OPTION

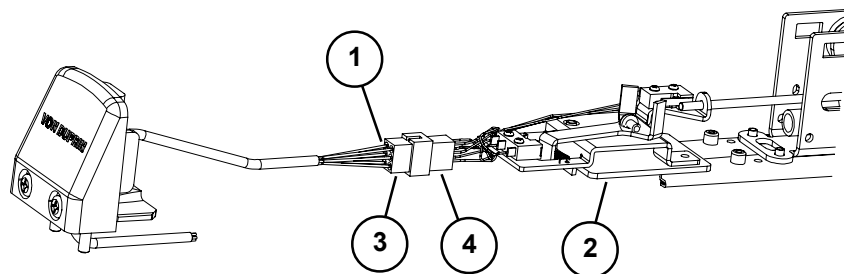
| Item No. | Quantity | Part No. | Description | Finish |
|----------|----------|----------|--------------------------------------|--------|
| 1 | 1 | 050531 | EL Dogging Rod Kit - 3' device | |
| 1 | 1 | 050532 | EL Dogging Rod Kit - 4' device | |
| 2 | 1 | 110388 | EL 6' Cable and Connector | |
| 3 | 1 | 050534 | EL Potted Module | |
| 4 | 1 | 050535 | EL Solenoid Assembly | |
| 5 | 1 | 050538 | EL Dogging Rod Retainer | |
| 6 | 1 | 050539 | EL Receptacle Connector | |
| 7 | 2 | 050540 | EL Female Terminal | |
| 8 | 1 | 990599 | EL Plug Connector - 2 Position | |
| 9 | 1 | 990857 | EL Receptacle Connector - 3 Position | |
| 10 | 1 | 990858 | EL Plug Connector - 3 Position | |
| * | 1 | 050070 | EL Conversion Kit - 3' | |
| * | 1 | 050078 | EL Conversion Kit - 4' | |

*Kit includes items 1-7 plus new control link pin, retaining ring, and baseplate screws.

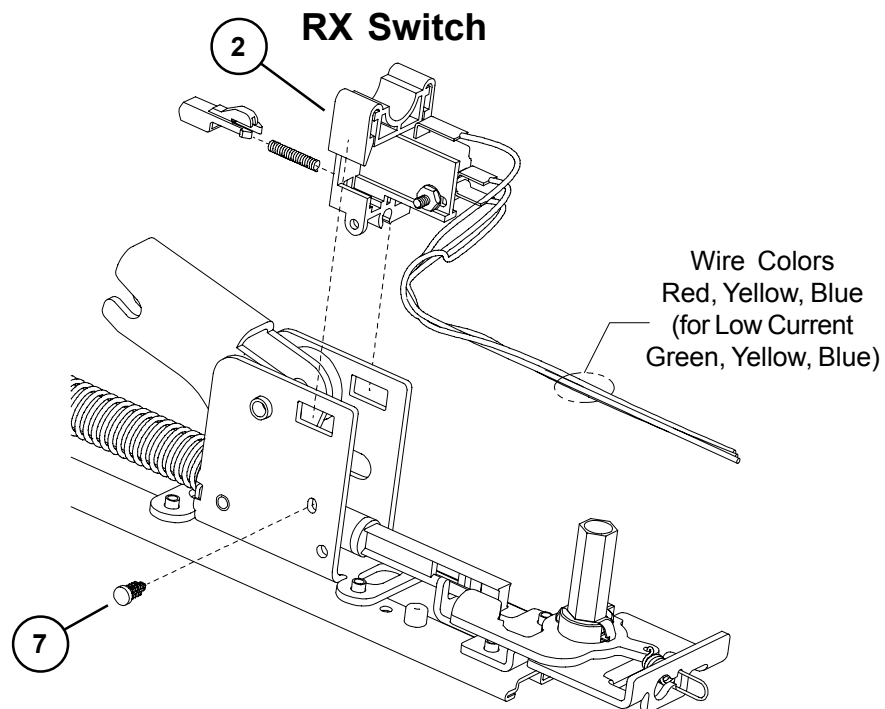
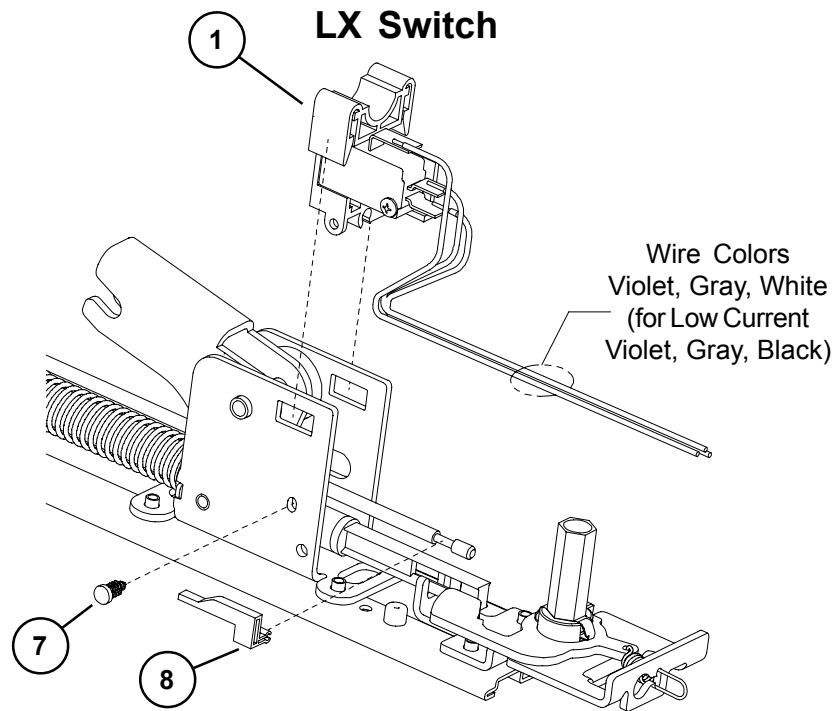


SS9847/SS9947, SS9849/SS9949, & SS9850/SS9950 SERIES SIGNAL SWITCH OPTION

| Item No. | Quantity | Part No. | Description | Finish |
|----------|----------|----------|--------------------------------------|--------|
| 1 | 1 | 050544 | SS Cable | |
| 2 | 1 | 050545 | SS Housing | |
| 3 | 1 | 990601 | SS Plug Connector - 6 Position | |
| 4 | 1 | 990602 | SS Receptacle Connector - 6 Position | |

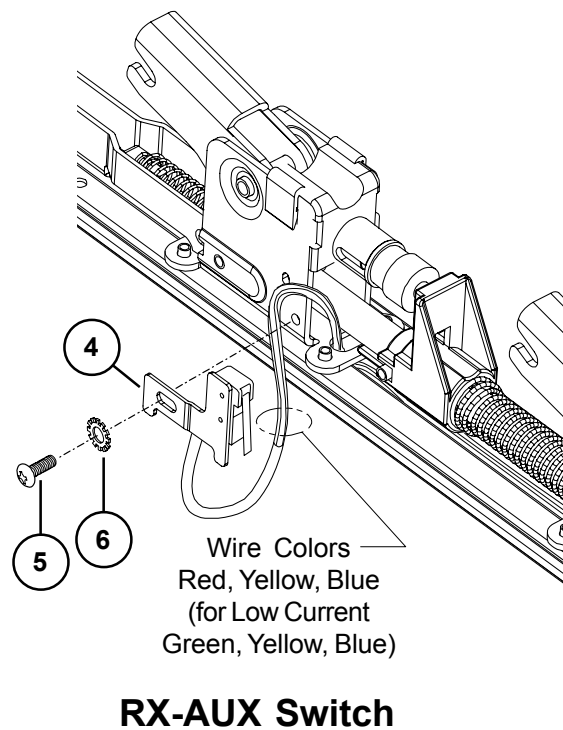
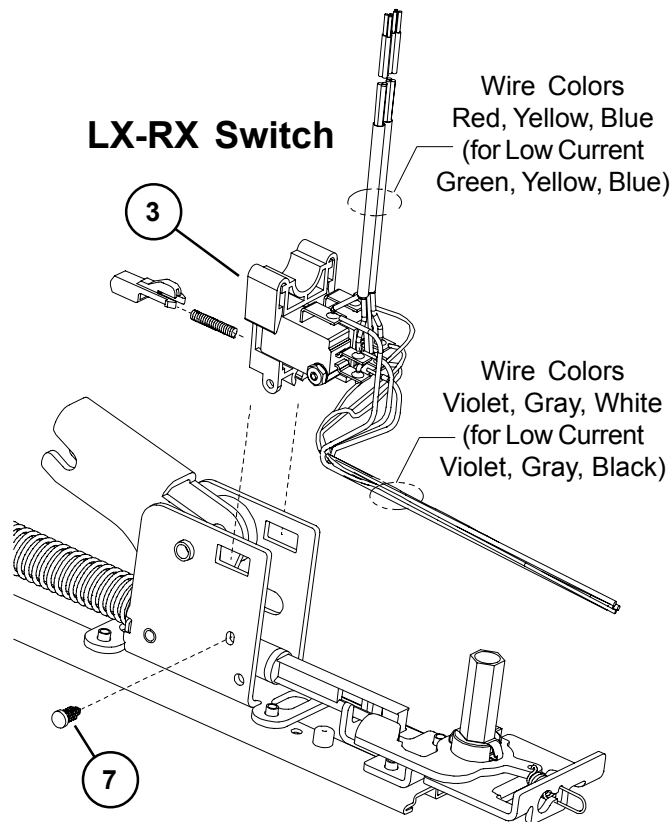


98/9947, 98/9949, & 98/9950 SERIES LX (LATCH BOLT MONITOR) & RX (REQUEST TO EXIT) OPTIONS



98/9947, 98/9949, & 98/9950 SERIES LX (LATCH BOLT MONITOR) & RX (REQUEST TO EXIT) OPTIONS

| Item No. | Quantity | Part No. | Description | Finish |
|----------|----------|----------|--|--------|
| 1 | 1 | 050254 | LX Switch Kit 3' Device | |
| 1 | 1 | 050255 | LX Switch Kit 4' Device | |
| 1 | 1 | 050247 | LX-EL Switch Kit | |
| 1 | 1 | 050283 | LX-LC (Low Current) Switch Kit 3' Device | |
| 1 | 1 | 050285 | LX-LC (Low Current) Switch Kit 4' Device | |
| 1 | 1 | 050287 | LX-LC-EL (Low Current) Switch Kit | |
| 2 | 1 | 050251 | RX Switch Kit | |
| 2 | 1 | 050281 | RX-LC (Low Current) Switch Kit | |
| 3 | 1 | 050256 | LX-RX Switch Kit 3' Device | |
| 3 | 1 | 050257 | LX-RX Switch Kit 4' Device | |
| 3 | 1 | 050259 | LX-RX-EL Switch Kit | |
| 3 | 1 | 050289 | LX-RX-LC (Low Current) Sw. Kit 3' Device | |
| 3 | 1 | 050291 | LX-RX-LC (Low Current) Sw. Kit 4' Device | |
| 3 | 1 | 050293 | LX-RX-LC-EL (Low Current) Switch Kit | |
| 2 & 4 | 1 | 050270 | RX-2 Switch Kit | |
| 4 | 1 | 050271 | RX-AUX Switch Kit | |
| 5 | 1 | 964558 | 8-32 x 5/16" PPHMS | |
| 6 | 1 | 964019 | #8 Washer | |
| 7 | 1 | 090099 | Pine Tree Clip (Pkg of 10) | |
| 8 | 1 | 971091 | LX Actuator | |

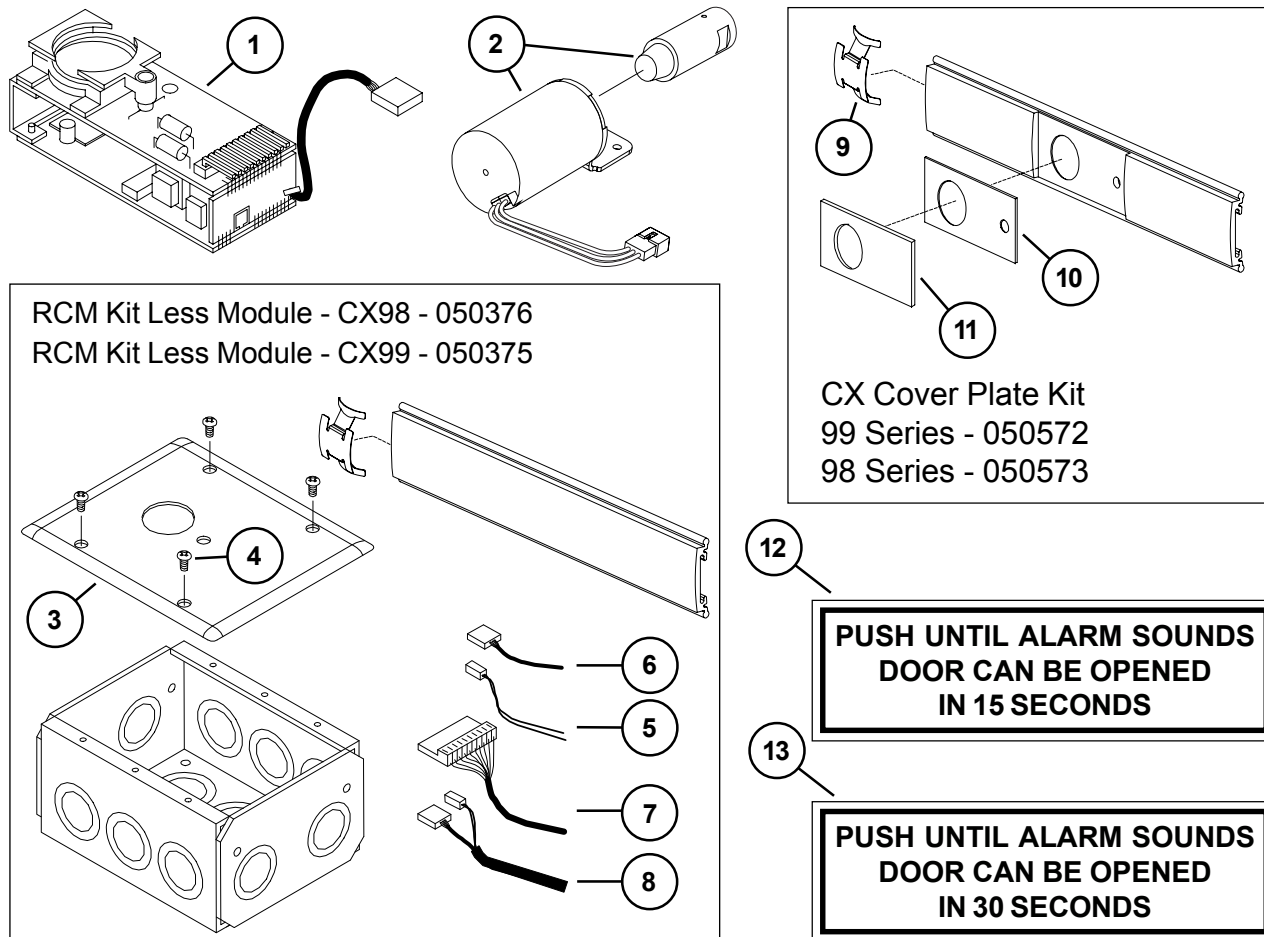


CX98/9947, CX98/9949, & CX98/9950 SERIES CHEXIT AND CX-RCM OPTION

For discontinued Chexit devices made before August, 24 2015

| Item No. | Quantity | Part No. | Description | Finish |
|----------|----------|----------|--|--------|
| 1 | 1 | 050228 | Chexit PCB Kit - 15 Second Release | |
| 1* | 1 | 050700 | Chexit PCB Kit - 30 Second Release | |
| 1 | 1 | 050701 | Chexit PCB Kit - 0 Second Release | |
| 1 | 1 | 050702 | Chexit PCB Kit - Boca 15 Second Release | |
| 1* | 1 | 050703 | Chexit PCB Kit - Boca 30 Second Release | |
| 2 | 1 | 050533 | CX Solenoid and Plunger | |
| 3 | 1 | 113111 | Faceplate and Adapter | X |
| 4 | 4 | 963898 | 6-32 x 3/8" OPHMS Faceplate Screw | X |
| 5 | 1 | 991338 | RCM 2-Wire RX Cable | |
| 6 | 1 | 991339 | RCM 3-Wire Solenoid Cable | |
| 7 | 1 | 112018 | Chexit Wiring Assembly | |
| 8 | 1 | 991336 | CX-RCM Cable Assy - 5 Wire | |
| 9 | 1 | 090036 | Cover Plate Anti-rattle Spring (Pkg of 10) | |
| 10 | 1 | 970513 | LED Cover Mask - Chexit | |
| 11 | 1 | 970519 | LED Cover - Chexit | |
| 12 | 1 | 113781 | Sign 15 Second - Chexit | |
| 13 | 1 | 113782 | Sign 30 Second - Chexit | |

*Over 15 second delay requires a letter of approval from the authority having local jurisdiction over the premises prior to the installation of the device. Allegion cannot grant such approval nor does it warrant local jurisdiction compliance.

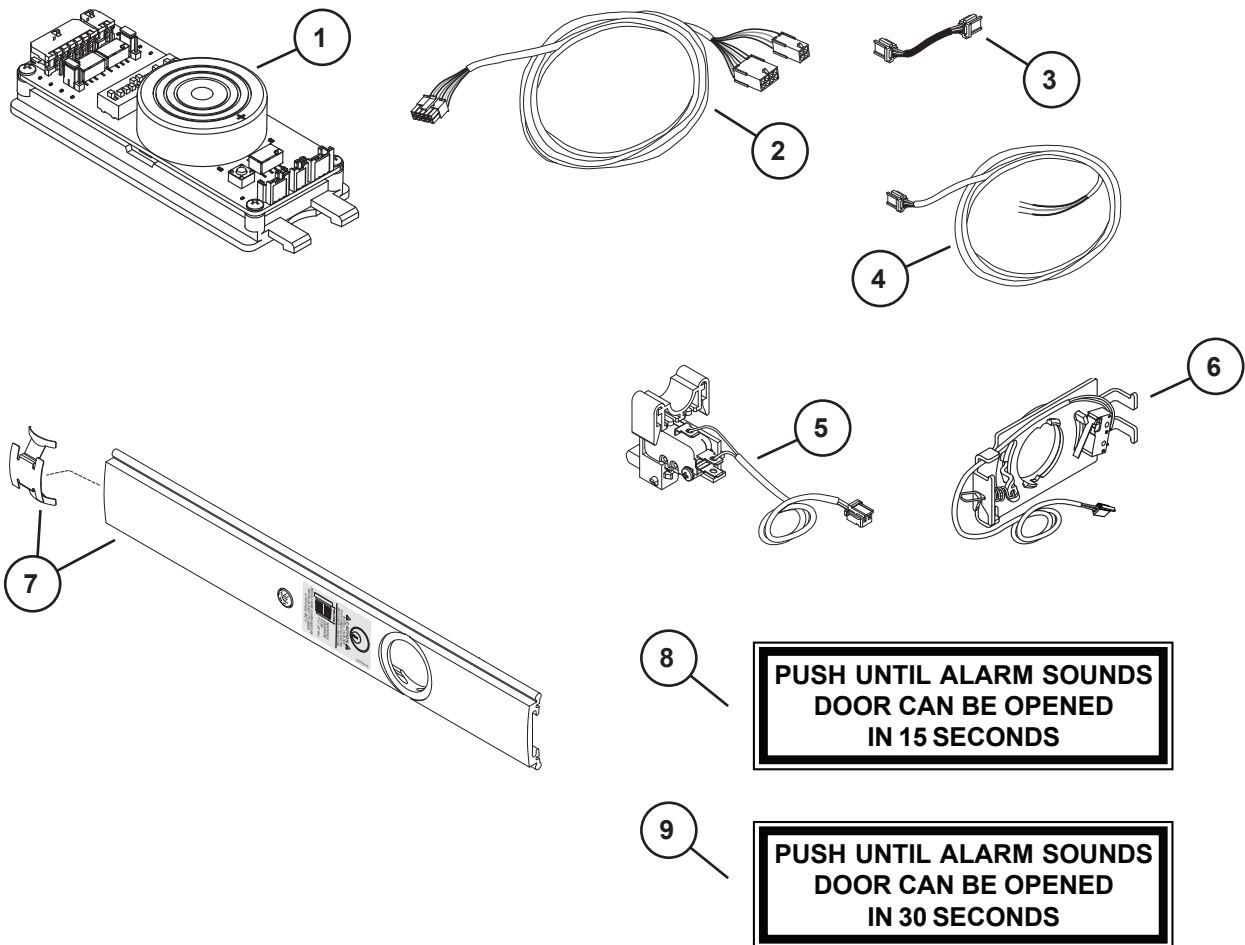


CX98/9947, CX98/9949, & CX98/9950 SERIES CHEXIT

For new Chexit devices made after August, 24 2015

| Item No. | Quantity | Part No. | Description | Finish |
|----------|----------|----------|--------------------------------------|--------|
| 1 | 1 | 040086 | Standard - 15 Second Release Delay | |
| 1* | 1 | 040087 | Special Infinite Release Delay | |
| 1* | 1 | 040088 | Special 30 Second Release Delay | |
| 1 | 1 | 040089 | Special 0 Second Release Delay | |
| 1 | 1 | 040090 | Special Mute 15 Second Release Delay | |
| 1 | 1 | 040091 | BOCA 15 Second Release Delay | |
| 2 | 1 | 040191 | CX Field Wiring Cable | |
| 3 | 1 | 040192 | CX Motor Cable | |
| 4 | 1 | 040193 | CX Trim Device Cable | |
| 5 | 1 | 116717 | CX RX Switch Assembly | |
| 6 | 1 | 040170 | CX Key Switch Assembly 3' | |
| 6 | 1 | 040189 | CX Key Switch Assembly 4' | |
| 7 | 1 | 040093 | CX33/99 Cover Plate Kit | X |
| 7 | 1 | 040094 | CX35/98 Cover Plate Kit | X |
| 8 | 1 | 113781 | Sign 15 Second | |
| 9 | 1 | 113782 | Sign 30 Second | |

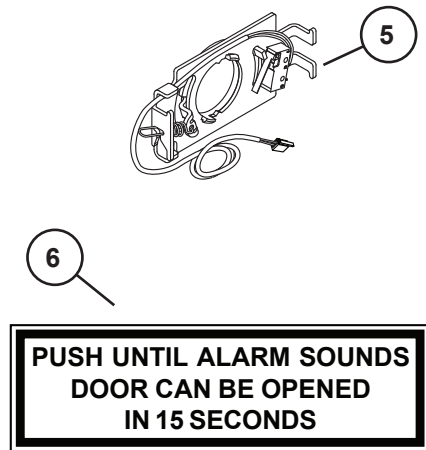
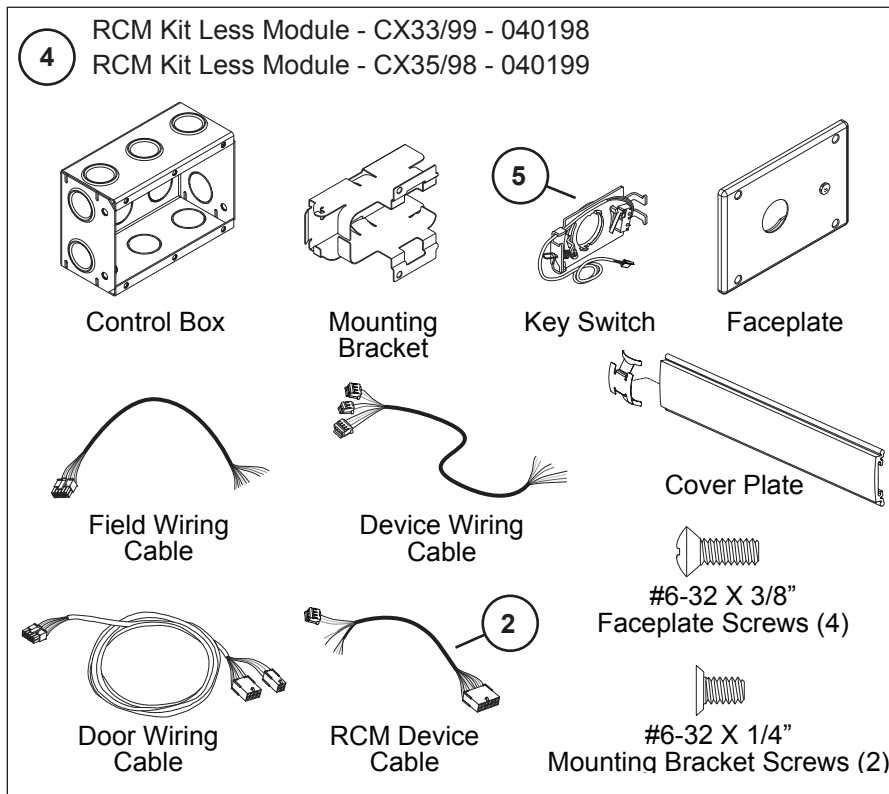
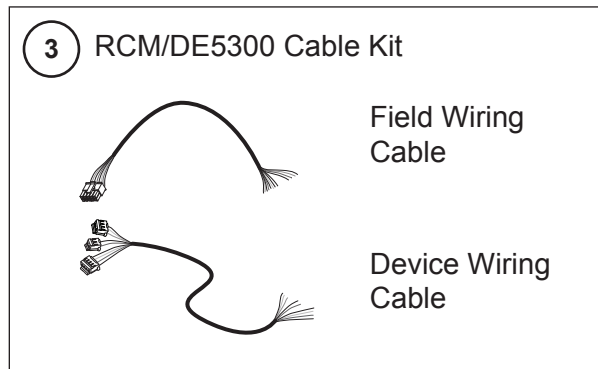
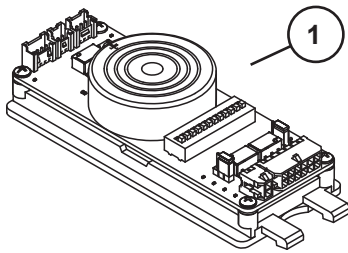
*Over 15 second delay requires a letter of approval from the authority having local jurisdiction over the premises prior to the installation of the device. Allegion cannot grant such approval nor does it warrant local jurisdiction compliance.



CX-RCM/DE5300 OPTIONS

For new RCM/DE5300 devices made after August, 24 2015

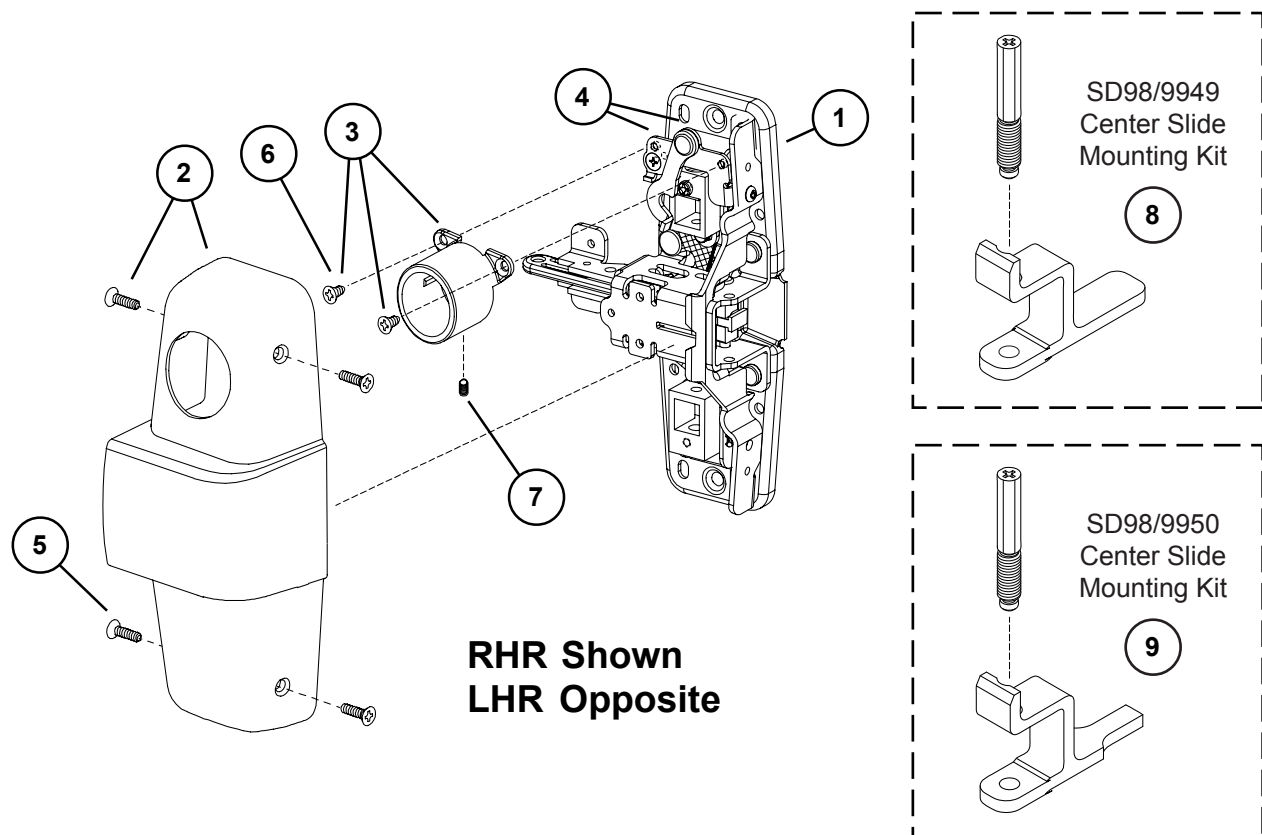
| Item No. | Quantity | Part No. | Description | Finish |
|----------|----------|----------|------------------------------------|--------|
| 1 | 1 | 116711 | Standard - 15 Second Release Delay | |
| 2 | 1 | 040092 | RCM Device Cable | |
| 3 | 1 | 040188 | DE5300/RCM Cable Kit | |
| 4 | 1 | 040198 | RCM Kit Less Module - CX33/99 | X |
| 4 | 1 | 040199 | RCM Kit Less Module - CX35/98 | X |
| 5 | 1 | 040169 | DE5300/RCM Key Switch Assy | |
| 6 | 1 | 113781 | Sign 15 Second | |



CX-CD/SD98/9947, CX-CD/SD98/9949, & CX-CD/SD98/9950 SERIES OPTION

| Item No. | Quantity | Part No. | Description | Finish |
|----------|----------|--------------|--|--------|
| 1* | 1 | 050552 | SD98/9947/49/50 RHR Center Case Kit Less Cvr | |
| 1* | 1 | 050553 | SD98/9947/49/50 LHR Center Case Kit Less Cvr | |
| 2 | 1 | 050562 | SD98/9947/49/50 RHR Center Case Cover Kit | X |
| 2 | 1 | 050563 | SD98/9947/49/50 LHR Center Case Cover Kit | X |
| 3 | 1 | 112409 | CD-CX/SD Cylinder Dog Housing | |
| 4 | 1 | 112455 | CD-CX/SD Cylinder Dog Bracket Kit RHR | |
| 4 | 1 | 112456 | CD-CX/SD Cylinder Dog Bracket Kit LHR | |
| 5 | 4 | 900892 | Center Case Cover Screws | X |
| 6 | 2 | PkgServ.1018 | 8-32 x 1/4" UFPHMS (Pkg of 20) | |
| 7 | 1 | 964240 | Bracket Set Screw | |
| 8 | 1 | 24123291 | SD98/9949 Center Slide Mounting Kit | |
| 9 | 1 | 47244842 | SD98/9950 Center Slide Mounting Kit | |

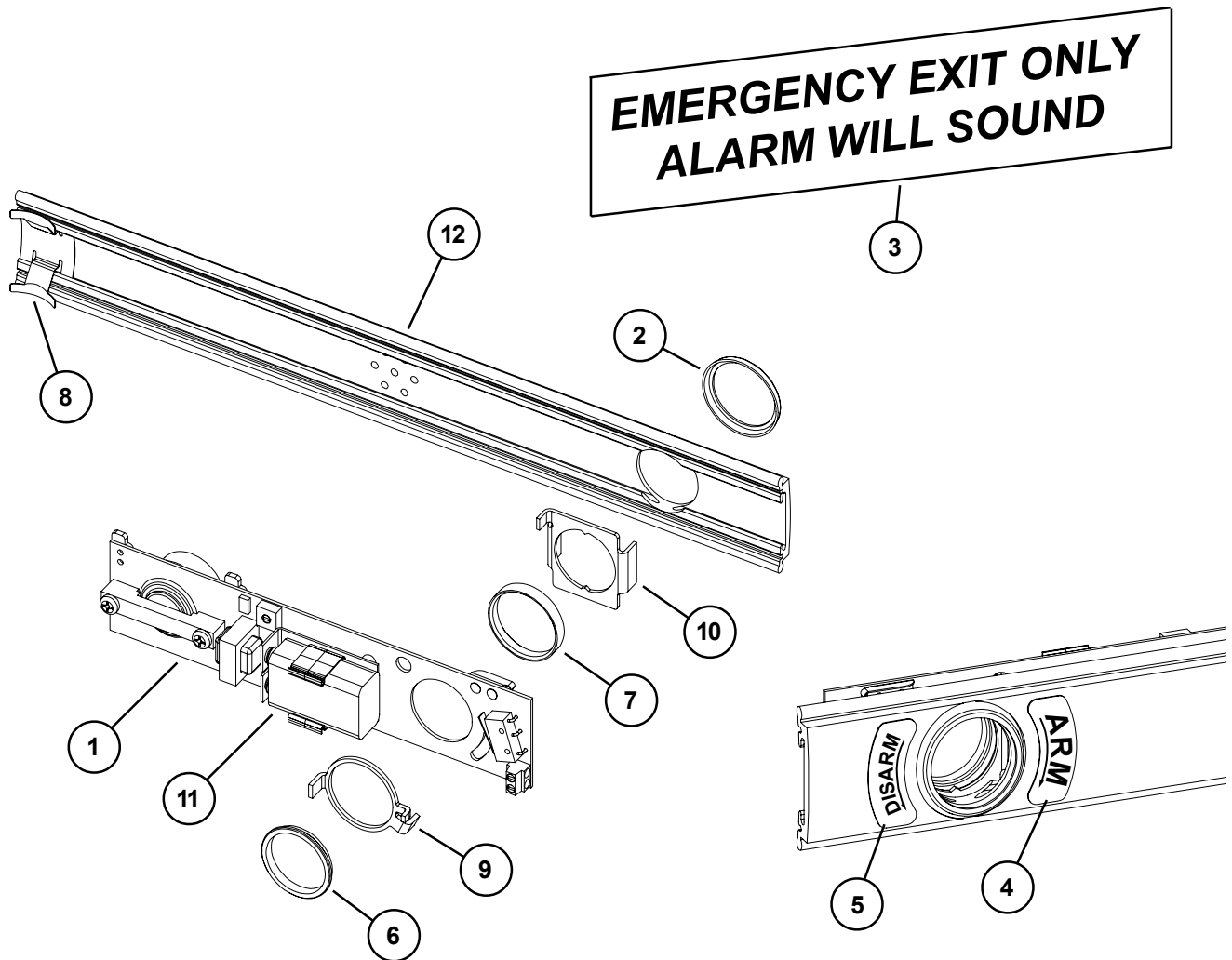
*Parts shown are for the CX-CD/SD option. For other available center case parts refer to page 17.



98/9947, 98/9949, & 98/9950 ALK EXIT ALARM KIT

| Item No. | Quantity | Part No. | Description | Finish |
|----------|----------|----------|--|--------|
| 1 | 1 | 111795 | ALK PCB Assembly | |
| 2 | 1 | 050525 | Cylinder Collar | X |
| 3 | 1 | 969122 | ALK Alarm Device Sign | |
| 4 | 1 | 969349 | ALK Arming Label | |
| 5 | 1 | 969350 | ALK Disarming Label | |
| 6 | 1 | 969354 | Retainer Nut | |
| 7 | 1 | 970594 | ALK Cylinder Spacer | |
| 8 | 1 | 090036 | Cover Plate Anti-rattle spring (Pkg of 10) | |
| 9 | 1 | 971556 | ALK Switch Actuator | |
| 10 | 1 | 971557 | ALK Cylinder Bracket | |
| 11 | 1 | 990637 | ALK Battery | |
| 12 | 1 | 050569 | 99 Series ALK Cover Plate Kit | X |
| 12 | 1 | 050570 | 98 Series ALK Cover Plate Kit | X |

X in "Finish" column designates finished items; finish must be specified when ordering.

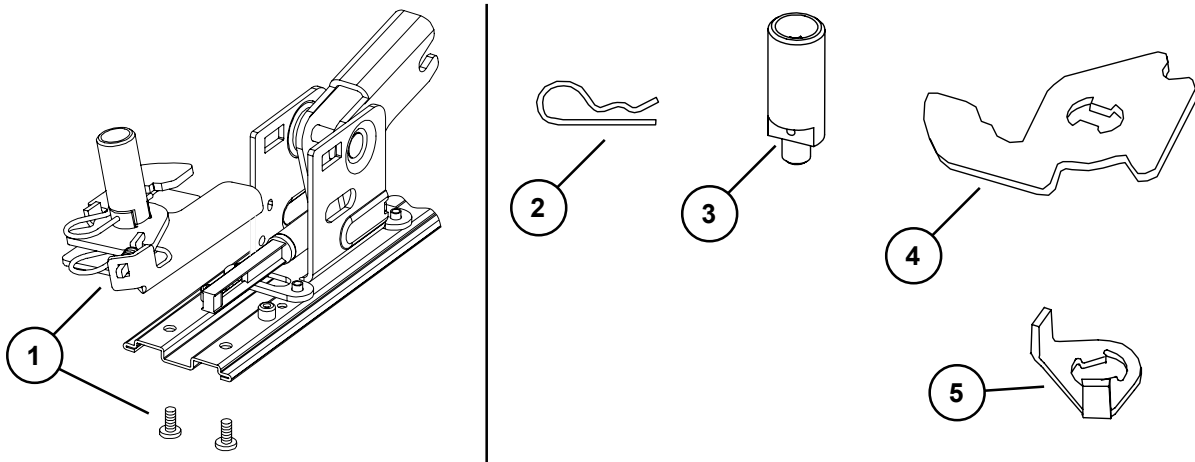


98/9947 SERIES SERVICE REPLACEMENT ITEMS

| Item No. | Quantity | Part No. | Description | Finish |
|----------|----------|----------|---|--------|
| 1 | 1 | 050153 | Old Style Hex Dogging Replacement Kit | |
| 2 | 1 | 963909 | #22 Hitch Pin - Hex/CD Dogging Old Style | |
| 3 | 1 | 968112 | Old Style Hex Dog Shaft | |
| 4 | 1 | 969941 | Old Style Dogging Hook | |
| 5 | 1 | 968116 | Old Style CD Actuator Arm | |
| 6 | 1 | 900905 | Old Style End Cap and Bracket Assembly | X |
| 7 | 1 | 970548 | Old Style Cover Plate Stop - End Cap | |
| 8 | 1 | 900901 | Old Style End Cap Screw Package | X |
| 9 | 1 | 971082 | Old Style 98/99 End Cap - Stainless Steel | X |
| 9 | 1 | 971083 | Old Style 98/99 End Cap - Brass | X |
| 9 | 1 | 971084 | Old Style 98/99 End Cap - Bronze | X |
| 9 | 1 | 971085 | Old Style 98/99 End Cap - Aluminum | X |

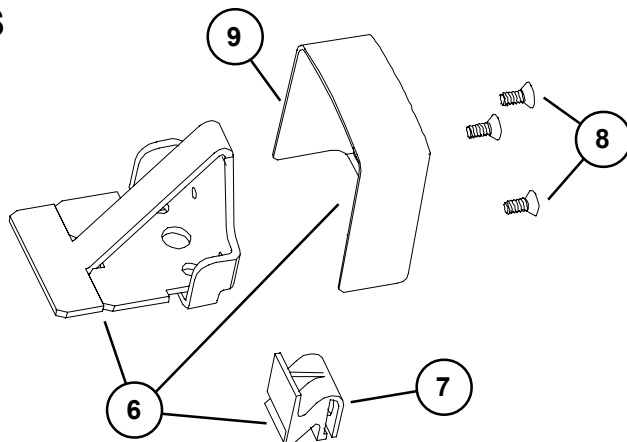
X in "Finish" column designates finished items; finish must be specified when ordering.

OLD STYLE DOGGING PARTS (FOR DEVICES SHIPPED BEFORE AUGUST 1997)



OLD STYLE END CAP PARTS (FOR DEVICES SHIPPED BEFORE JANUARY 2002)

Note: Newer style end cap kit shown on pages 4-5. Newer style end cap kit can be used on devices manufactured before January 2002, but mechanism case and cover plate on hinge stile must have a square cut and a clean edge.



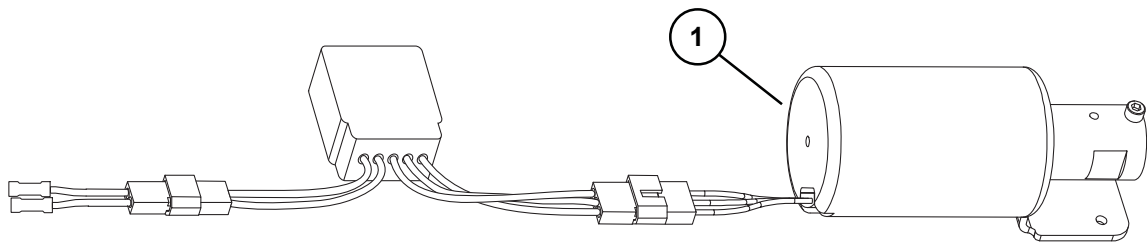
98/9947 SERIES SERVICE REPLACEMENT ITEMS

| Item No. | Quantity | Part No. | Description | Finish |
|----------|----------|----------|-----------------------------|--------|
| 1 | 1 | 050218 | EL Solenoid Replacement Kit | |

X in "Finish" column designates finished items; finish must be specified when ordering.

EL SOLENOID REPLACEMENT KIT (FOR DEVICES SHIPPED BEFORE JANUARY 1987)

Note: This kit replaces the old style EL solenoid parts with the new style.



About Allegion

Allegion (NYSE: ALLE) creates peace of mind by pioneering safety and security. As a \$2 billion provider of security solutions for homes and businesses, Allegion employs more than 8,000 people and sells products in more than 120 countries across the world. Allegion comprises 27 global brands, including strategic brands CISA®, Interflex®, LCN®, Schlage® and Von Duprin®.

For more, visit www.allegion.com.

aptiQ ■ LCN ■  ■ STEELCRAFT ■ VON DUPRIN