

PRODUCT FEATURES



- Integrated LED lighting provides a warm, decorative ambiance for a harmonious interplay of bold form and sensible function.
- Designed to seamlessly integrate into contemporary interiors, this sconce delivers understated elegance with clean lines and a minimalist aesthetic.
- Fully dimmable integrated LED lamp
- Contemporary Modern design
- Modern finishes available

LAMPING

ORDERING INFORMATION

SLWS679	COLOR TEMP	FINISH
	27 2700K	CCBZ BRONZE CCHAB HAND RUBBED ANTIQUE BRASS

SLWS679 _____

JOB NAME _____

NOTES _____

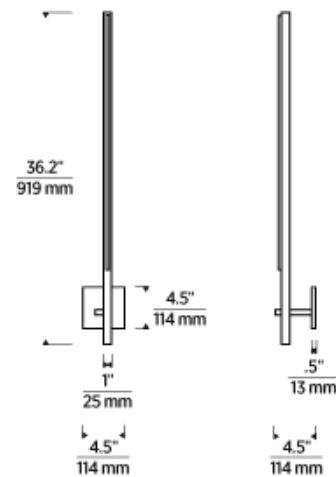


CITYSCAPE RIGHT X-LARGE SCONCE

VISUAL COMFORT & Co.

SPECIFICATIONS

PRIMARY MATERIAL	Brass
SHADE MATERIAL	Crystal
NET WEIGHT	5.5 lbs
HEIGHT	36.2in
WIDTH	4.5in
LENGTH	4.5in
MIN. EXTENSION FROM WALL	
UP LIGHT / DOWN LIGHT / BOTH?	
WET LISTED	
DAMP LISTED	
DRY LISTED	
UP / DOWN	
HORIZONTAL / VERTICAL	
WALL / CEILING MOUNT	
GENERAL LISTING	ETL Listed
ADA COMPLIANT	
INCLUDES	



LAMPING SPECIFICATIONS

	LED LAMP	INTEGRATED LED	NON LED	NO LAMP
DELIVERED LUMENS		858		
WATTS		16.6		
MAX WATTAGE PER BULB		16.6W		
		120V-277V 0-10, ELV, TRIAC		
CCT		2700K		
CRI		90 CRI		
LED LIFETIME				
L70		>50,000		
AVERAGE BULB HOURS				
FIELD SERVICEABLE LED				
LAMP BASE		Dedicated LED		
LAMP SHAPE		Dedicated LED		
LAMP INCLUDED?		True		
WARRANTY**		5 Years		

* Dimming information available at www.techlighting.com/Downloads#dimming

** Visit techlighting.com for specific warranty limitations and details.

T20 / T24 / JA8 INFORMATION

	Integrated LED	Replacement LED Lamp	No Lamp *
This product can be used to comply with California Building Energy Efficiency Standards 2016 Title 24 Part 6 / JA8.	No		
This product can be used to comply with California Appliance Efficiency Standards 2016 Title 20 and may be shipped to and sold in California.			

* If a light fixture or component does not include a lamp or light source, it is the responsibility of the customer to select a lamp that meets the T24 and T20 requirements.

