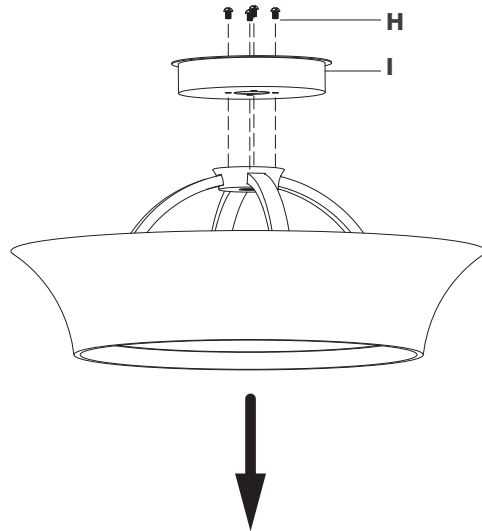
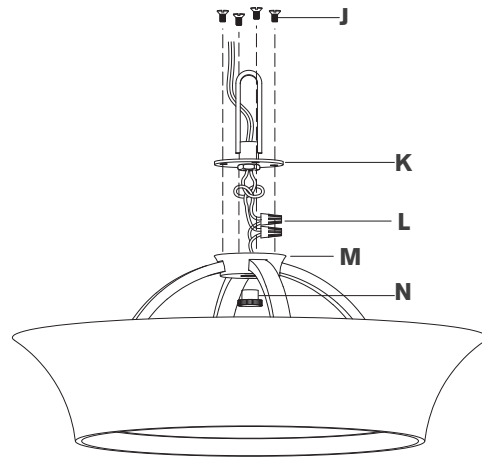


ASSEMBLY INSTRUCTIONS

Semi-Flush mount Option



Pendant Option



Garland Semi-Flush Mount Convert to Pendant

NOTICE:

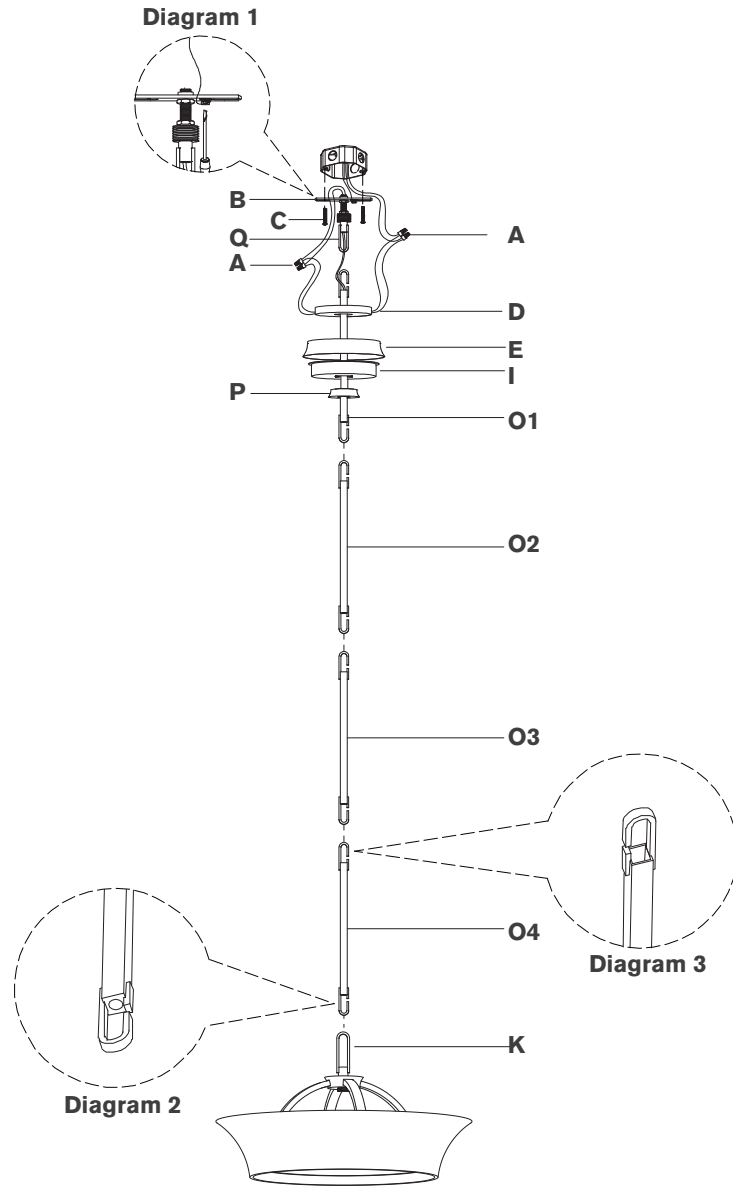
This light fixture part should be installed in accordance with all applicable, local installation codes, and by a person familiar with the construction and operation of it, as well as the hazards involved.

TOOLS REQUIRED (NOT INCLUDED):

Phillips Screwdriver Slotted Screwdriver

1. Carefully remove all parts from the box. Place on a clean, soft surface.
2. Remove canopy (I) from fixture by removing screws (H).
NOTE: Screws (H) will be not be used for pendant mount assembly. Keep parts and store for future use.
3. Connect fixture extension neutral wire (ribbed) to the fixture neutral wire (white) using wire nut (L).
4. Connect fixture extension hot wire (smooth with markings) to fixture hot wire (black) using wire nut (L).
CAUTION: Do not reverse the hot and neutral connections.
5. Make sure all wire connections are tight, then carefully tuck into the hub (M).
6. Install fixture loop (K) to hub (M) and secure with screws (J).
7. Thread finial (N) to bottom of hub (M).
8. Follow pendant assembly instructions to complete the installation.

ASSEMBLY INSTRUCTIONS



Garland Pendant

NOTICE:

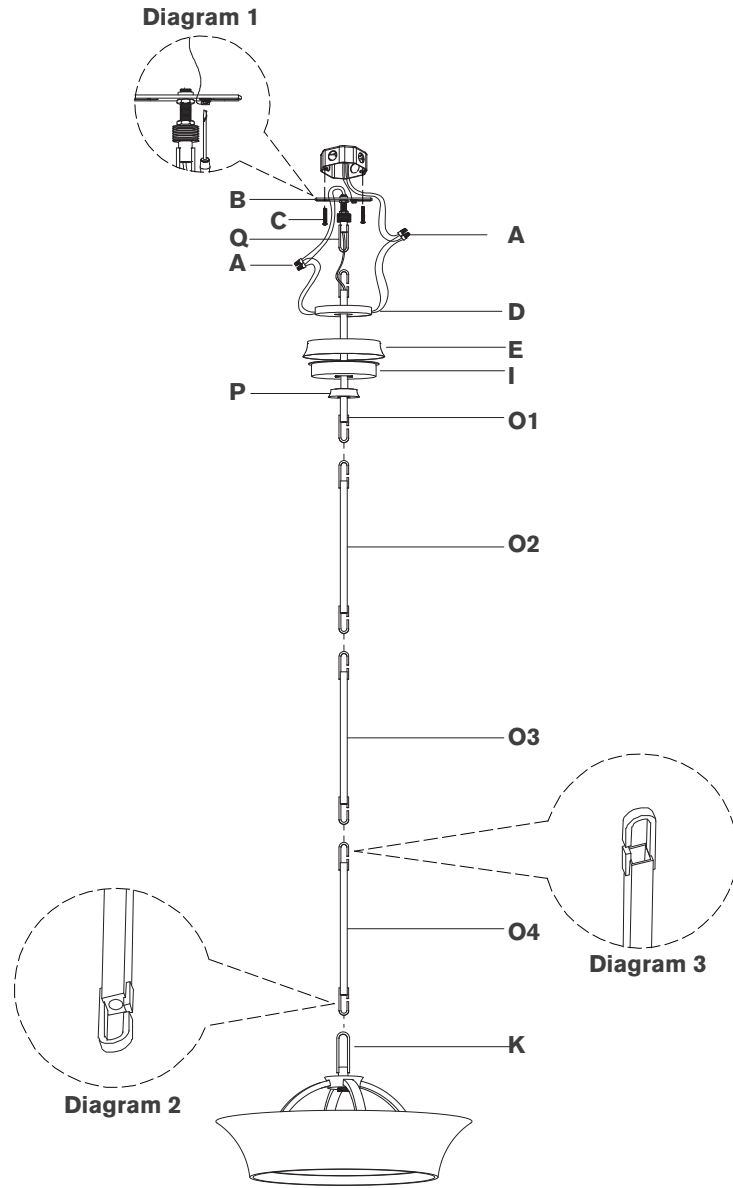
This light fixture part should be installed in accordance with all applicable, local installation codes, and by a person familiar with the construction and operation of it, as well as the hazards involved.

TOOLS REQUIRED (NOT INCLUDED):

Phillips Screwdriver Slotted Screwdriver Measuring Tape
Wire Cutters

1. Carefully remove all parts from the box. Place on a clean, soft surface.
2. Install mounting plate (B) to junction box and secure with mounting screws (C).
3. Connect supply ground wire (usually green or bare copper) around the green grounding screw (see diagram 1). Tighten.
NOTE: It is imperative that the fixture is grounded.
4. Secure collar loop (Q) to mounting plate (B) using pliers to tighten locknut.
5. Install driver (D), canopy cover (E) and canopy (I) to collar loop (Q) and secure with collar ring (P).
6. Feed wire through hanging rods (Q1 & Q2 & Q3 & Q4) and connect together according to the direction shown in the diagram (2 & 3).
7. Attach hanging rods to fixture loop (K) and to collar loop (Q).
8. Cut excess wires, being sure to leave enough to reach the junction box. Separate wires, and strip insulation on each 5/8".
9. Loosen collar ring (P) and let canopy (I), canopy cover (E) and driver (D) slip down rods carefully and rest on top of fixture body.
10. Twist all fixture wires together. Slip through center hole of collar loop (Q).
NOTE: Untwist wires and separate to prepare for connection.

ASSEMBLY INSTRUCTIONS



Garland Pendant

NOTICE:

This light fixture part should be installed in accordance with all applicable, local installation codes, and by a person familiar with the construction and operation of it, as well as the hazards involved.

11. Connect fixture neutral wire (ribbed) to the driver output neutral wire (black) using wire nut **(A)**.
 12. Connect fixture hot wire (smooth with markings) to the driver output hot wire (red) using wire nut **(A)**.
 13. Connect driver input neutral wire (white) to the supply neutral wire (usually white) using wire nut **(A)**.
 14. Connect driver input hot wire (black) to the supply hot wire (usually black) using wire nut **(A)**.
- CAUTION:** Do not reverse the hot and neutral connections.
15. Make sure all wire connections are tight, then carefully tuck into the junction box.
 16. Install driver **(D)**, canopy cover **(E)** and canopy **(I)** to mounting plate **(B)** and secure with collar ring **(P)**.

Care Instructions: Clean only with a soft dry cloth or feather duster. Do not use abrasive or chemical agents.