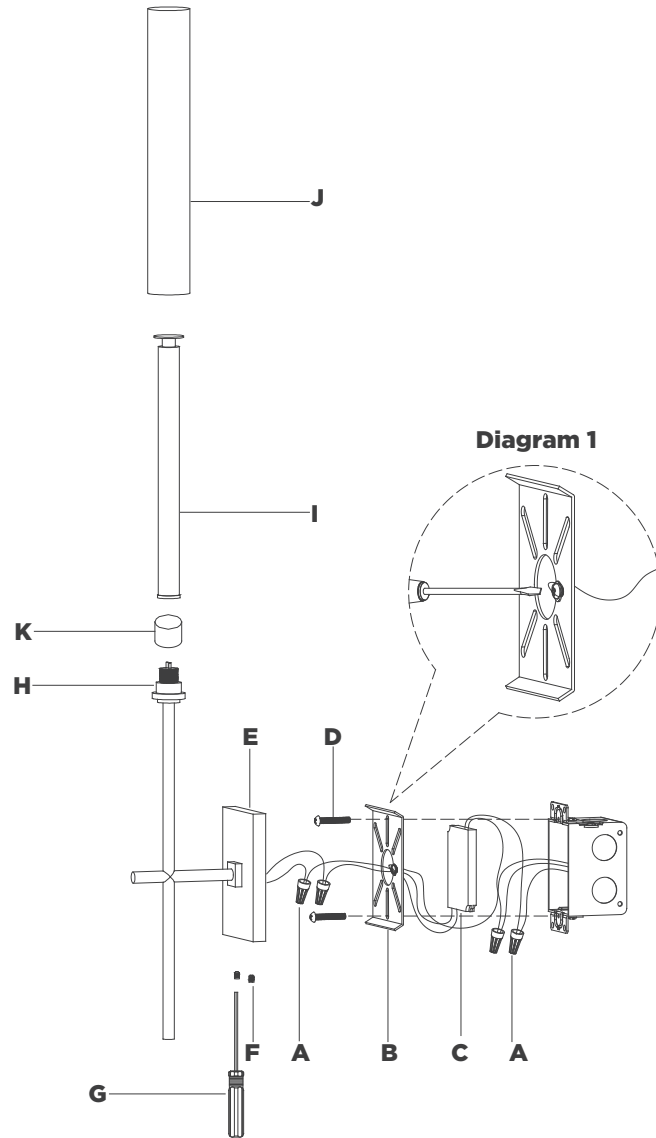


## ASSEMBLY INSTRUCTIONS



Fay 18" Sconce

Item # IKF2110

### NOTICE:

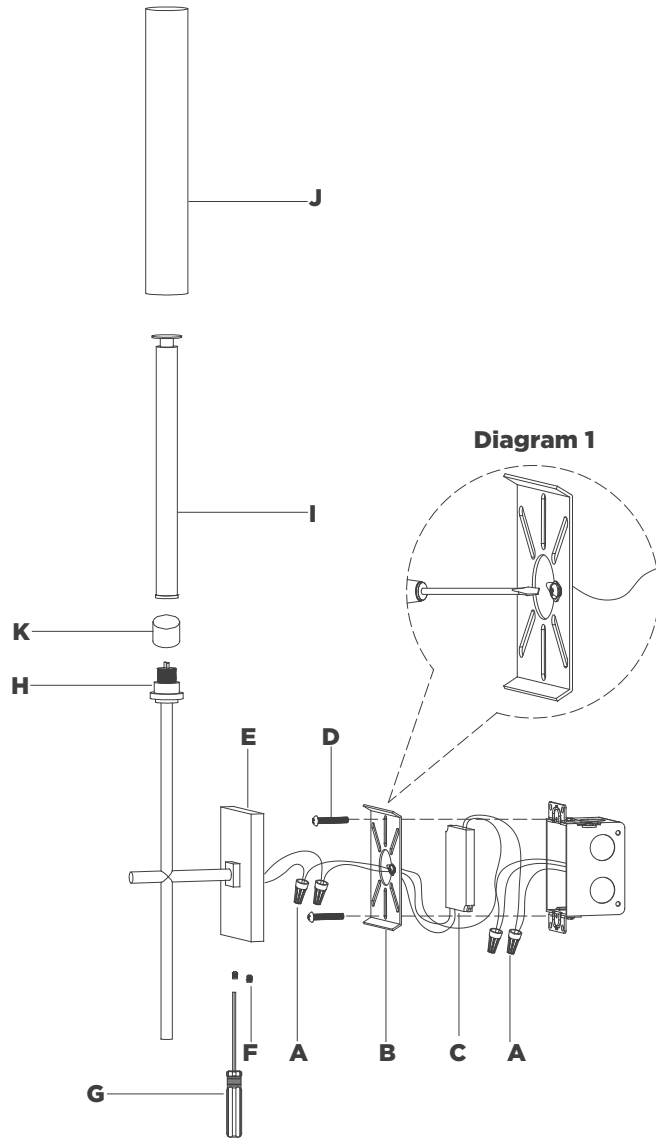
This light fixture should be installed in accordance with all applicable, local installation codes, and by a person familiar with the construction and operation of it, as well as the hazards involved. Inspect item and contents carefully. If any damage or defect is found, do not install. Retain all packaging material until installation is complete and approved.

### TOOLS REQUIRED (NOT INCLUDED):

Phillips Screwdriver    Slotted Screwdriver

1. Carefully remove all parts from the box. Place on a clean, soft surface.
2. Remove mounting plate **(B)** from fixture **(E)** by removing set screws **(F)** using provided screwdriver **(G)**.
3. Connect driver **(C)** input neutral wire (white) to the supply neutral wire (usually white) using wire nut **(A)**.
4. Connect driver **(C)** input hot wire (black) to the supply hot wire (usually black) using wire nut **(A)**.  
**CAUTION:** Do not reverse the hot and neutral connections.
5. Insert driver **(C)** into junction box.
6. Install mounting plate **(B)** to junction box and secure with mounting screws **(D)**.
7. Connect supply ground wire (usually green or bare copper) around the green grounding screw (see diagram 1). Tighten.  
**NOTE:** It is imperative that the fixture is grounded.
8. Connect fixture neutral wire (black) to driver **(C)** output neutral wire (black) using wire nut **(A)**.
9. Connect fixture hot wire (red) to driver **(C)** output hot wire (red) using wire nut **(A)**.  
**CAUTION:** Do not reverse the hot and neutral connections.

## ASSEMBLY INSTRUCTIONS



## Fay 18" Sconce

Item # IKF2110

### NOTICE:

This light fixture should be installed in accordance with all applicable, local installation codes, and by a person familiar with the construction and operation of it, as well as the hazards involved. Inspect item and contents carefully. If any damage or defect is found, do not install. Retain all packaging material until installation is complete and approved.

10. Install fixture **(E)** to mounting plate **(B)** and secure with set screws **(F)** using provided screwdriver **(G)**.
11. Remove protective cover **(K)** from socket **(H)**, then install LED light source **(I)** to socket **(H)**.
12. Place shade **(J)** onto LED light source **(I)**.

**CARE INSTRUCTIONS:** Clean only with a soft dry cloth or feather duster. Do not use abrasive or chemical agents.