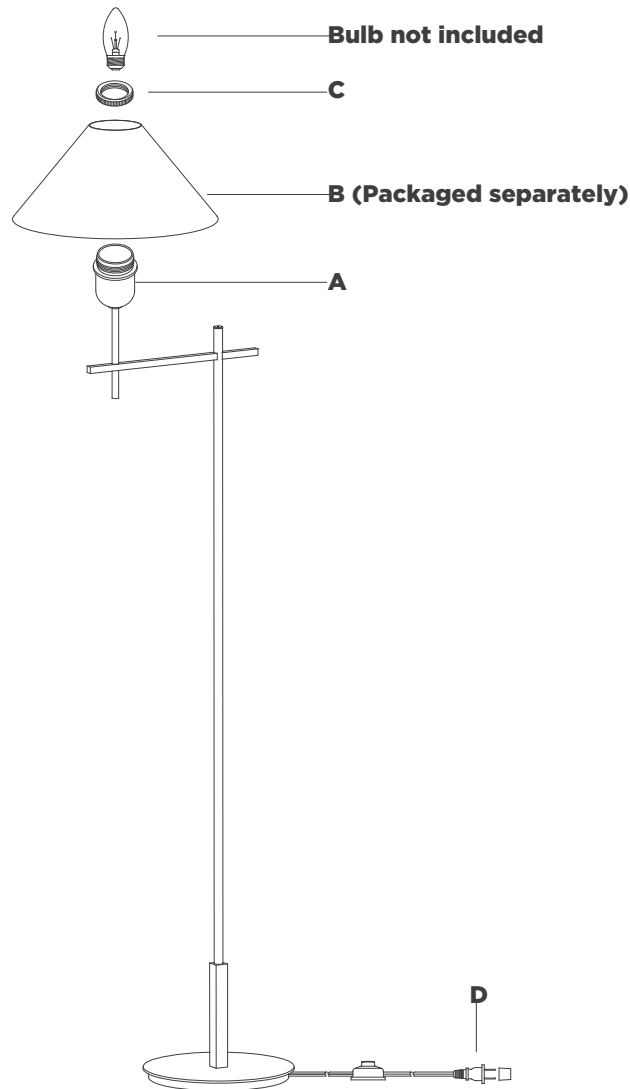


ASSEMBLY INSTRUCTIONS



Hackney Bridge Arm Floor Lamp

Item # SP1023

NOTICE:

Inspect item carefully before attempting to install. If there is any damage or obvious defect, do not install. Item may not be returned once it has been installed.

1. Carefully remove all parts from the box. Place on a clean, soft surface.
2. Remove socket ring (C) from socket (A).
3. Remove shade (B) from packaging and place on socket (A) by securing with socket ring (C).
NOTE: If shade has additional packaging, carefully cut off from interior of shade to avoid damages.
4. Install light bulb into the socket (A).
5. Remove protective cover (D) from plug.
6. Plug into electrical outlet and test fixture.

CARE INSTRUCTIONS: Clean only with a soft dry cloth or feather duster. Do not use abrasive or chemical agents.