

## PRODUCT FEATURES

- An optimal choice for outdoors, bedrooms, living rooms, studies and offices.
- Available in modern finishes
- 12-14 hours of battery life, allowing use for extended periods without worrying about running out of power
- 5- hour charging time
- Designed with an integrated 3-step touch-dimmer.



## LAMPING

Includes 120-240V 2.2 watts, 200 delivered lumens, 90 CRI 2700K LED module. Built-in three way dimming. Black includes black cable. White includes white cable. Hand Rubbed Antique Brass includes cream cable. 6 feet of USB C to C cable. Wall charger included.

Black



Black

Hand Rubbed  
Antique Brass

Matte White

## ORDERING INFORMATION

SLTB569	COLOR TEMP	FINISH
	27 2700K	B BLACK HAB HAND RUBBED ANTIQUE BRASS W MATTE WHITE

SLTB569 \_\_\_\_\_

JOB NAME \_\_\_\_\_

NOTES \_\_\_\_\_

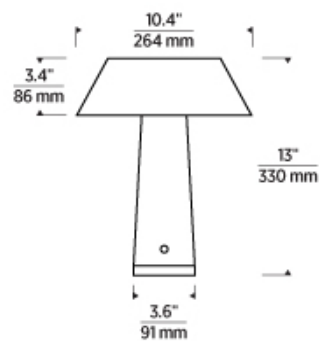


# SESA ACCENT RECHARGEABLE TABLE LAMP

VISUAL COMFORT & Co.

## SPECIFICATIONS

PRIMARY MATERIAL	Aluminum or Brass
SHADE MATERIAL	Aluminum or Brass
NET WEIGHT	4.5 lbs
HEIGHT	13in
WIDTH	10.4in
LENGTH	10.4in
WET LISTED	
DAMP LISTED	
DRY LISTED	
GENERAL LISTING	ETL Listed
INCLUDES	



## LAMPING SPECIFICATIONS

	LED LAMP	INTEGRATED LED	NON LED	NO LAMP
DELIVERED LUMENS		200		
WATTS		2.2		
MAX WATTAGE PER BULB		2.2W		
		120V-240V Integrated 3-Step Touch Dimmer		
CCT		2700K		
CRI		90 CRI		
LED LIFETIME		>50000		
AVERAGE BULB HOURS				
FIELD SERVICEABLE LED				
LAMP BASE		Integrated LED		
LAMP SHAPE		Integrated LED		
LAMP INCLUDED?		True		
WARRANTY**		1 Year		

\* Dimming information available at [www.techlighting.com/Downloads#dimming](http://www.techlighting.com/Downloads#dimming)

\*\* Visit [techlighting.com](http://techlighting.com) for specific warranty limitations and details.

## T20 / T24 / JA8 INFORMATION

	Integrated LED	Replacement LED Lamp	No Lamp *
This product can be used to comply with California Building Energy Efficiency Standards 2016 Title 24 Part 6 / JA8.	No		
This product can be used to comply with California Appliance Efficiency Standards 2016 Title 20 and may be shipped to and sold in California.			

\* If a light fixture or component does not include a lamp or light source, it is the responsibility of the customer to select a lamp that meets the T24 and T20 requirements.

