

# PONTE LARGE LINEAR CHANDELIER

VISUAL COMFORT & CO.

## PRODUCT FEATURES



- Inspired by the Ponte Skyscraper in Johannesburg
- Contemporary Modern Style
- This item is made of natural brass. It is a living finish that will patina and warm with age which adds richness. If it gets an uneven patina or spots, a brass cleaner can restore the finish

## LAMPING

Includes 31.4 watts, 1436 total delivered lumens, 3000K LED modules. Dimmable with most LED compatible ELV, TRIAC and 0-10V dimmers. Ships with (4) 12" and (2) 6" rigid stems in coordinating finish. 120V-277V.

## ORDERING INFORMATION

SLLS571	COLOR TEMP	FINISH
	303000K	HAB HAND RUBBED ANTIQUE BRASS B NIGHTSHADE BLACK

SLLS571 \_\_\_\_\_

JOB NAME \_\_\_\_\_

NOTES \_\_\_\_\_

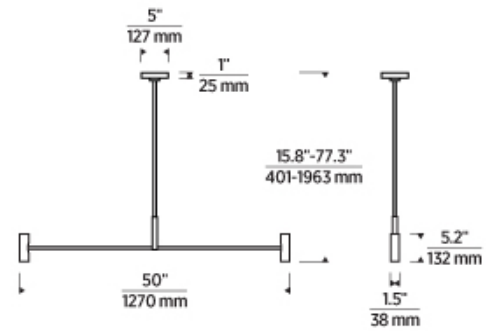


# PONTE LARGE LINEAR CHANDELIER

VISUAL COMFORT & Co.

## SPECIFICATIONS

PRIMARY MATERIAL	Aluminum or Brass
SHADE MATERIAL	Aluminum or Brass
NET WEIGHT	5 lbs
HEIGHT	5.2in
WIDTH	1.5in
LENGTH	50in
UP LIGHT / DOWN LIGHT / BOTH?	
WET LISTED	
DAMP LISTED	
DRY LISTED	
MIN. HANGING HEIGHT	15.8in
MAX HANGING HEIGHT	77.3in
TOTAL CORD LENGTH	
TOTAL STEM LENGTH	Up to 60in
STEM QTY	6
SLOPED CEILING ADAPTABLE?	Yes 22.5° Max
GENERAL LISTING	ETL Listed
INCLUDES	



## LAMPING SPECIFICATIONS

	LED LAMP	INTEGRATED LED	NON LED	NO LAMP
DELIVERED LUMENS		1436		
WATTS		31.4		
MAX WATTAGE PER BULB		31.4W		
		Universal 120V-277V 0-10, ELV, TRIAC		
CCT		3000K		
CRI		90 CRI		
LED LIFETIME		>50000		
L70				
AVERAGE BULB HOURS				
FIELD SERVICEABLE LED				
LAMP BASE		Integrated LED		
LAMP SHAPE		Integrated LED		
LAMP INCLUDED?		True		
WARRANTY**		5 Years		

\* Dimming information available at [www.techlighting.com/Downloads#dimming](http://www.techlighting.com/Downloads#dimming)

\*\* Visit [techlighting.com](http://techlighting.com) for specific warranty limitations and details.

## T20 / T24 / JA8 INFORMATION

	Integrated LED	Replacement LED Lamp	No Lamp *
This product can be used to comply with California Building Energy Efficiency Standards 2016 Title 24 Part 6 / JA8.	Yes		
This product can be used to comply with California Appliance Efficiency Standards 2016 Title 20 and may be shipped to and sold in California.			

\* If a light fixture or component does not include a lamp or light source, it is the responsibility of the customer to select a lamp that meets the T24 and T20 requirements.

