

SHIELDED MEDIUM SCONCE

VISUAL COMFORT & CO.

PRODUCT FEATURES



- Sand blasted metal shade
- Mounts vertically or horizontally
- This item is made of natural brass. It is a living finish that will patina and warm with age which adds richness. If it gets an uneven patina or spots, a brass cleaner can restore the finish
- Integrated LED
- Modern finishes available

LAMPING

Includes 11.2 watt, 113 delivered lumens, 2700K LED module. Dimmable with most LED compatible ELV, TRIAC and 0-10V dimmers. Mounts vertically or horizontally. 120V-277V.

ORDERING INFORMATION

PBWS502	COLOR TEMP	FINISH
	27 2700K	BZ BRONZE HAB HAND RUBBED ANTIQUE BRASS

PBWS502

JOB NAME

NOTES



© 2019 Tech Lighting, L.L.C. All rights reserved. The "Tech Lighting" graphic is a registered trademark of Tech Lighting, L.L.C. Tech Lighting reserves the right to change specifications for product improvements without notification.

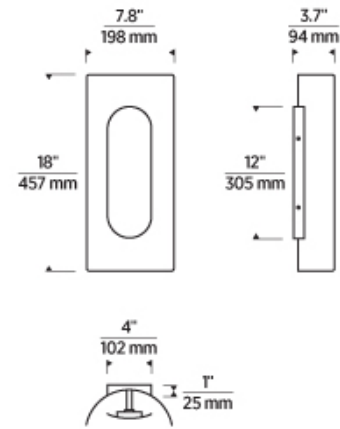
7400 Linder Avenue, Skokie, IL 60077
T 847.410.4400 | F 847.410.4500 | techlighting.com

SHIELDED MEDIUM SCONCE

VISUAL COMFORT & Co.

SPECIFICATIONS

PRIMARY MATERIAL	Brass
SHADE MATERIAL	Brass
NET WEIGHT	6 lbs
HEIGHT	18in
WIDTH	3.7in
LENGTH	7.8in
MIN. EXTENSION FROM WALL	3.7in
UP LIGHT / DOWN LIGHT / BOTH?	
WET LISTED	
DAMP LISTED	
DRY LISTED	
UP / DOWN	
HORIZONTAL / VERTICAL	
WALL / CEILING MOUNT	
GENERAL LISTING	ETL Listed
ADA COMPLIANT	
INCLUDES	



LAMPING SPECIFICATIONS

	LED LAMP	INTEGRATED LED	NON LED	NO LAMP
DELIVERED LUMENS		113		
WATTS		11.2		
MAX WATTAGE PER BULB		11.2W		
		Universal 120V-277V 0-10, ELV, TRIAC		
CCT		2700K		
CRI		90 CRI		
LED LIFETIME				
L70		>50000		
AVERAGE BULB HOURS				
FIELD SERVICEABLE LED				
LAMP BASE		Integrated LED		
LAMP SHAPE		Integrated LED		
LAMP INCLUDED?		True		
WARRANTY**		5 Years		

* Dimming information available at www.techlighting.com/Downloads#dimming

** Visit techlighting.com for specific warranty limitations and details.

T20 / T24 / JA8 INFORMATION

	Integrated LED	Replacement LED Lamp	No Lamp *
This product can be used to comply with California Building Energy Efficiency Standards 2016 Title 24 Part 6 / JA8.	Yes		
This product can be used to comply with California Appliance Efficiency Standards 2016 Title 20 and may be shipped to and sold in California.			

* If a light fixture or component does not include a lamp or light source, it is the responsibility of the customer to select a lamp that meets the T24 and T20 requirements.

