

FIO SMALL TABLE LAMP

VISUAL COMFORT & CO.

PRODUCT FEATURES



- Minimal metal cross-brace base elevates the glass as if it were art displayed upon a pedestal
- Designed with an integrated 3-step touch-dimmer.
- As each piece is artisan made, slight variations are an inherent part of this hand-blown glass fixture
- Detachable charging cord for easy portability
- Modern finishes available

LAMPING

Includes 120V-240V 8.1 watts, 945 delivered lumens, 90 CRI 2700K LED module. Dimmer on switch. Includes 6 feet of brown cloth cord.

ORDERING INFORMATION

KWTB495	COLOR TEMP	COLOR	FINISH
	27 2700K	CE CLEAR ETCHED	HAB HAND RUBBED ANTIQUE BRASS

KWTB495

JOB NAME

NOTES



© 2019 Tech Lighting, L.L.C. All rights reserved. The "Tech Lighting" graphic is a registered trademark of Tech Lighting, L.L.C. Tech Lighting reserves the right to change specifications for product improvements without notification.

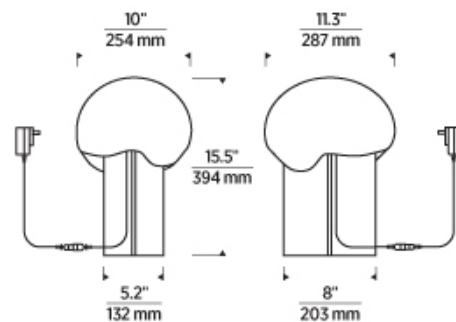
7400 Linder Avenue, Skokie, IL 60077
T 847.410.4400 | F 847.410.4500 | techlighting.com

FIO SMALL TABLE LAMP

VISUAL COMFORT & Co.

SPECIFICATIONS

PRIMARY MATERIAL	Brass
SHADE MATERIAL	Glass
NET WEIGHT	8 lbs
HEIGHT	15.5in
WIDTH	10in
LENGTH	11.3in
WET LISTED	
DAMP LISTED	
DRY LISTED	
GENERAL LISTING	ETL Listed
INCLUDES	



LAMPING SPECIFICATIONS

	LED LAMP	INTEGRATED LED	NON LED	NO LAMP
DELIVERED LUMENS		945		
WATTS		8.1		
MAX WATTAGE PER BULB		8.1W		
		120V-240V Dimmer on Switch		
CCT		2700K		
CRI		90 CRI		
LED LIFETIME				
L70		>50000		
AVERAGE BULB HOURS				
FIELD SERVICEABLE LED				
LAMP BASE		Integrated LED		
LAMP SHAPE		Integrated LED		
LAMP INCLUDED?		True		
WARRANTY**		5 Years		

* Dimming information available at www.techlighting.com/Downloads#dimming

** Visit techlighting.com for specific warranty limitations and details.

T20 / T24 / JA8 INFORMATION

	Integrated LED	Replacement LED Lamp	No Lamp *
This product can be used to comply with California Building Energy Efficiency Standards 2016 Title 24 Part 6 / JA8.	No		
This product can be used to comply with California Appliance Efficiency Standards 2016 Title 20 and may be shipped to and sold in California.			

* If a light fixture or component does not include a lamp or light source, it is the responsibility of the customer to select a lamp that meets the T24 and T20 requirements.

