

LOUVER MEDIUM TABLE LAMP

VISUAL COMFORT & CO.

PRODUCT FEATURES

- Fixture can be enjoyed with or with shade
- Modern finishes available
- Includes integrated in-line dimmer with 6 feet black cloth cord
- This item is made of natural brass. It is a living finish that will patina and warm with age which adds richness. If it gets an uneven patina or spots, a brass cleaner can restore the finish
- Protected by a 5-year warranty



LAMPING

Includes 120-240 volt 15 watts, 800 delivered lumens, 90 CRI 2700K LED module. Built-in three way dimming. Includes 6 feet of black cloth cord.

Natural Brass



Natural Brass

Polished Nickel

Dark Bronze

Natural Brass (Alt Off)

To view all available finish options, please visit techlighting.com

ORDERING INFORMATION

SLTB266	COLOR TEMP	FINISH
	27 2700K	BZ DARK BRONZE NB NATURAL BRASS N POLISHED NICKEL

SLTB266 _____

JOB NAME _____

NOTES _____

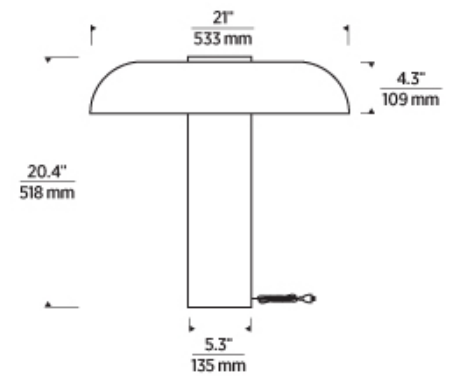


LOUVER MEDIUM TABLE LAMP

VISUAL COMFORT & Co.

SPECIFICATIONS

PRIMARY MATERIAL	Aluminum or Brass
SHADE MATERIAL	Aluminum or Brass
NET WEIGHT	13 lbs
HEIGHT	20.4in
WIDTH	21in
LENGTH	21in
WET LISTED	
DAMP LISTED	
DRY LISTED	
GENERAL LISTING	ETL Listed
INCLUDES	



LAMPING SPECIFICATIONS

	LED LAMP	INTEGRATED LED	NON LED	NO LAMP
DELIVERED LUMENS		800		
WATTS		15		
MAX WATTAGE PER BULB		15W		
		120V-240V ELV, TRIAC		
CCT		2700K		
CRI		90 CRI		
LED LIFETIME				
L70		>50000		
AVERAGE BULB HOURS				
FIELD SERVICEABLE LED				
LAMP BASE		Integrated LED		
LAMP SHAPE		Integrated LED		
LAMP INCLUDED?		True		
WARRANTY**		5 Years		

* Dimming information available at www.techlighting.com/Downloads#dimming

** Visit techlighting.com for specific warranty limitations and details.

T20 / T24 / JA8 INFORMATION

	Integrated LED	Replacement LED Lamp	No Lamp *
This product can be used to comply with California Building Energy Efficiency Standards 2016 Title 24 Part 6 / JA8.	No		
This product can be used to comply with California Appliance Efficiency Standards 2016 Title 20 and may be shipped to and sold in California.			

* If a light fixture or component does not include a lamp or light source, it is the responsibility of the customer to select a lamp that meets the T24 and T20 requirements.

