

# Collier and Perle Wall

700WSCLR, SLWS225, SLWS228, SLWS230 | 1.1

## VISUAL COMFORT & Co.

### MODERN COLLECTION

#### GENERAL PRODUCT INFORMATION:

These fixtures are intended to be installed utilizing NEC compliant junction boxes. **Either a 2"x4" Junction box or 4" Junction Box may be used.**



This product is safety listed for dry indoor locations only.

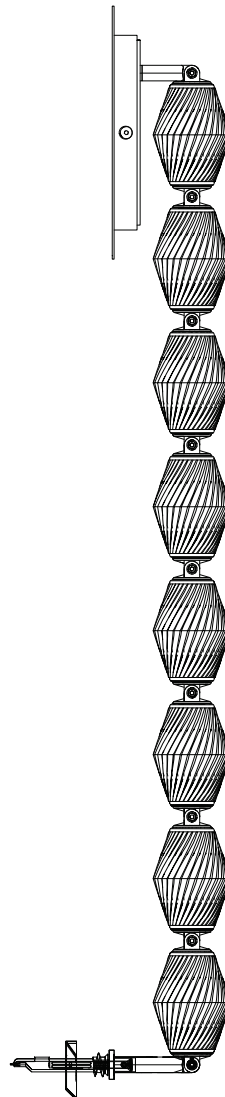
Dimmable with most LED compatible ELV, TRIAC and 0-10V dimmers.

This instruction shows a typical installation.

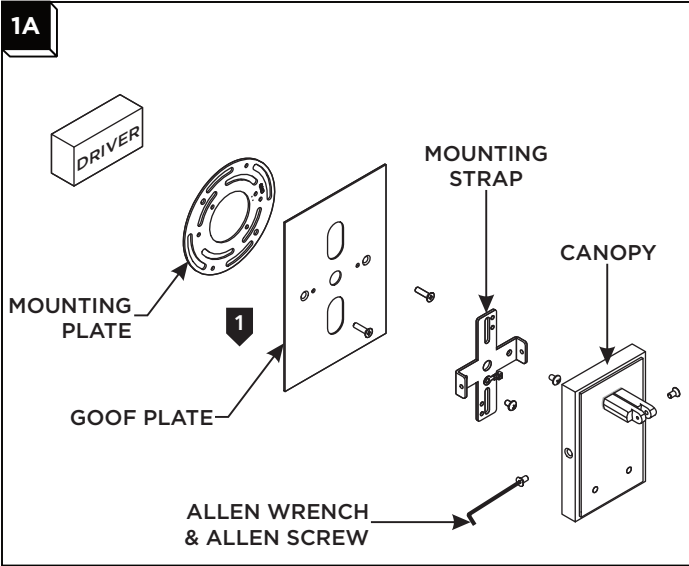
**PLEASE NOTE:** This fixture can only be installed vertically.

**CAUTION - RISK OF FIRE**  
This product must be installed in accordance with the applicable installation code by a person familiar with the construction and operation of the product and the hazards involved.  
Use minimum 90°C supply conductors.

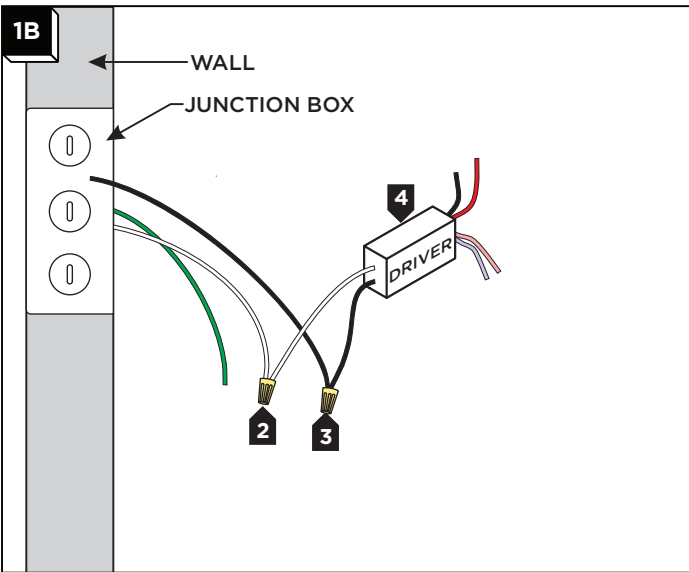
**SAVE THESE INSTRUCTIONS!**



# Install the Canopy



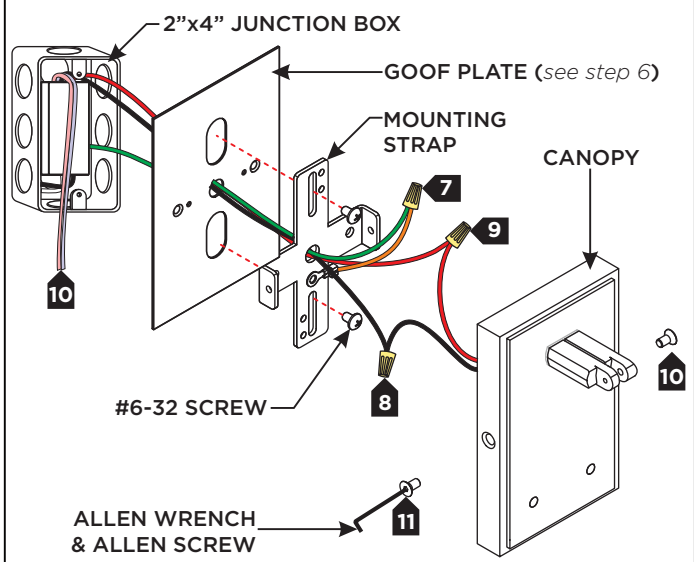
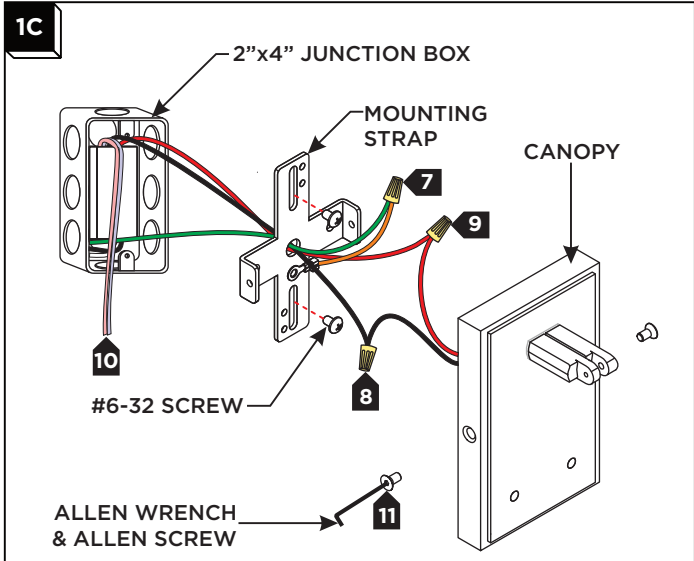
**1** Remove the driver and mounting hardware from the canopy by removing the Allen screws using the provided Allen wrench.



- 2** Connect the white driver wire to the neutral power line with a wire nut.
- 3** Connect the black driver wire to the hot power line with a wire nut.
- 4** Place the driver into the junction box.

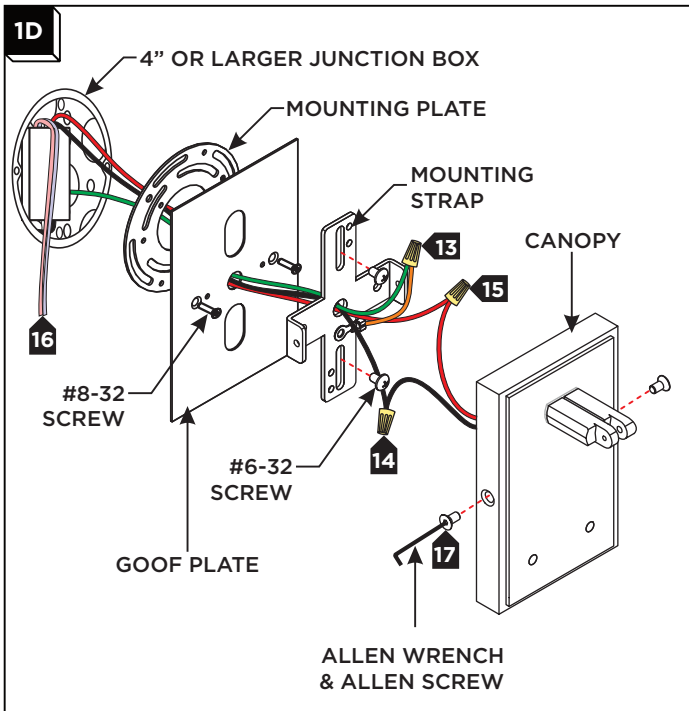
**For 2"x4" junction boxes, go to step 1C.**  
**For junction boxes larger than 2"x4" , skip to step 1D.**

**NOTE:** The goof plate is intended for use with junction boxes larger than 2"x4". The goof plate may still be installed using a 2"x4" junction box for aesthetic purposes.

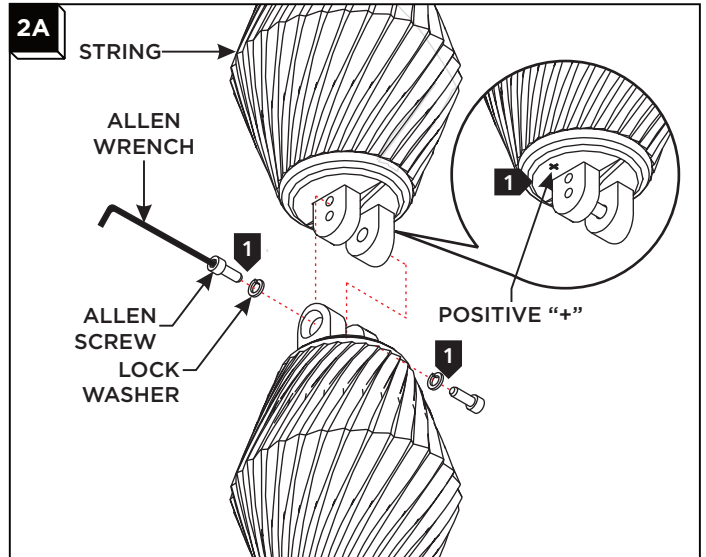


- 5** For junction boxes larger than 2"x4", skip to step 1D.
- 6** Feed the ground and driver output wires through the center of the mounting strap and install it to the 2"x4" junction box with the two 6-32x.75" pan head screws. **NOTE:** If installing the goof plate for aesthetic purposes, install the goof plate along with the mounting strap using the two 6-32x.75".
- 7** Connect the fixture to a suitable ground in accordance with local electrical codes.
- 8** Connect the black/blue driver wire to the black/blue fixture wire with a wire nut.
- 9** Connect the red driver wire to the red fixture wire with a wire nut.
- 10** For 0-10V dimming, use the purple and gray/pink wires to connect to a compatible dimmer. **If not using 0-10V dimming**, make sure to cap off these wires.
- 11** Install the canopy onto the mounting strap with the Allen screws using the provided Allen wrench.

## Install the Strings

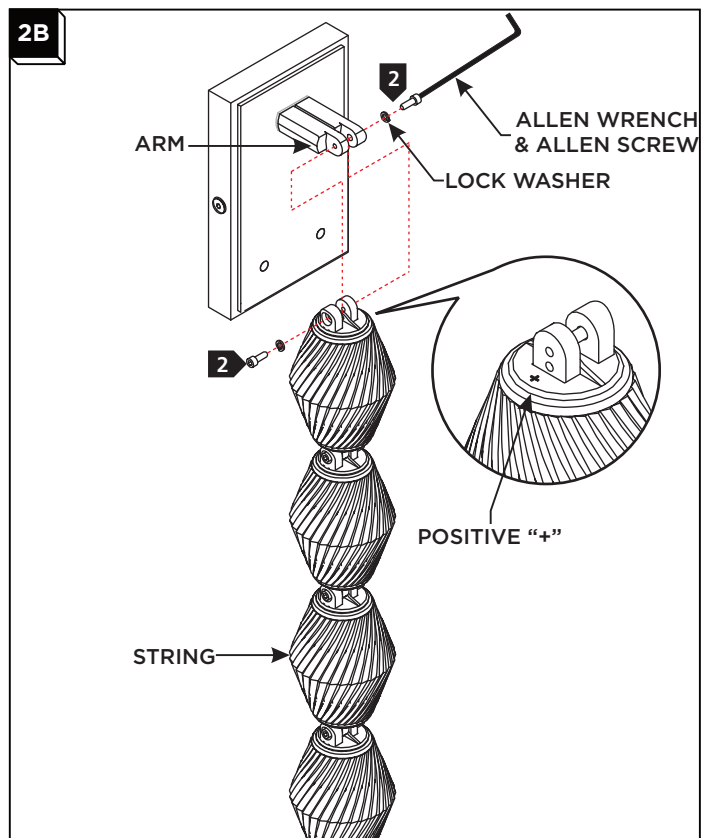


- 11** Feed the ground and driver output wires through the center of the mounting plate and goof plate, then install them to a junction box 4" or greater with the two #8-32" screws ensuring that the threaded holes on the mounting plate are positioned vertical and leveled.
- 12** Feed the ground and driver output wires through the center of the mounting strap, then install it to the goof plate with the two 6-32x.75" pan head screws
- 13** Connect the fixture to a suitable ground in accordance with local electrical codes.
- 14** Connect the black/blue driver wire to the black/blue fixture wire with a wire nut.
- 15** Connect the red driver wire to the red fixture wire with a wire nut.
- 16** **For 0-10V dimming**, use the purple and gray/pink wires to connect to a compatible dimmer. **If not using 0-10V dimming**, make sure to cap off these wires.
- 17** Install the canopy onto the mounting strap with the Allen screws using the provided Allen wrench.



- 1** Connect strings together by using the washers and Allen screws making sure to match the polarity. Tighten the Allen screws until snug. **Only connect up to 2' strings at a time** (8 modules max).

**CAUTION:** Do not hold up more than 2' of string by a single crystal. The weight from the string may damage the end-cap components and cause damage to the string. Handle strings with two hands, and handle like delicate jewelry.

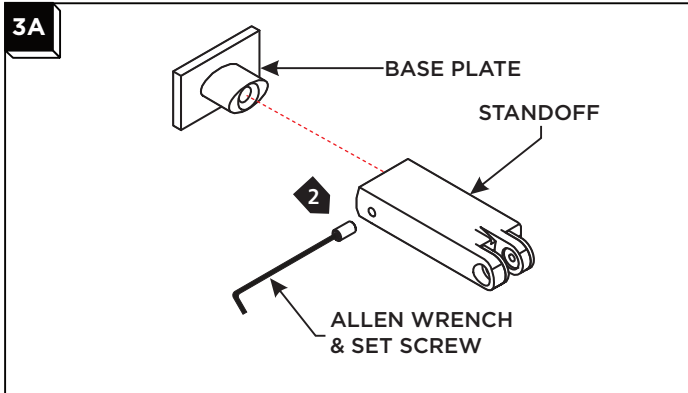


- 2** Connect strings to the arm by using the washers and Allen screws making sure to match the polarity. Tighten the Allen screws until snug.

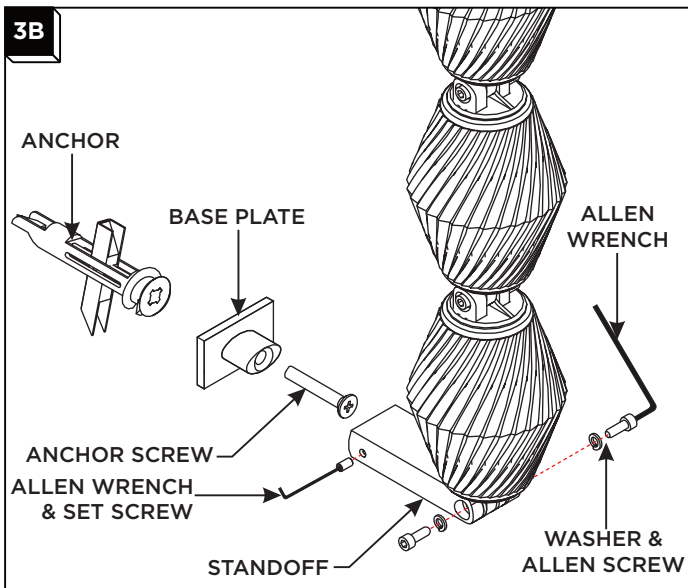
If installing the Standoff, go to step 3A.

If installing the Finial, go to step 4A.

### Install the Standoff (Optional)

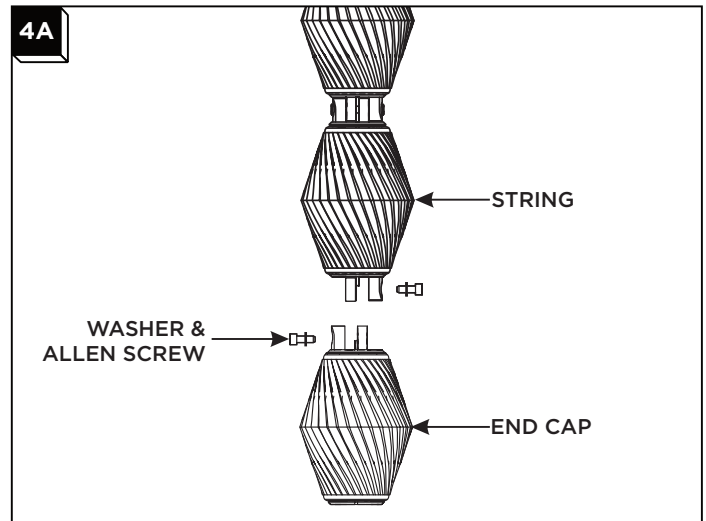


- 1 Disassemble standoff assembly by unscrewing the set screw on the standoff using the provided Allen wrench.



- 2 Install standoff to the end of the string using the Allen screws and washers with the provided Allen wrench.
- 3 Measure and mark against wall surface where the base plate locates.
- 4 Install the anchor to a surface at the marked location.
- 5 Install anchor screw to secure standoff base plate to surface.
- 6 Insert standoff to base plate and secure with set-screw using the provided Allen wrench.

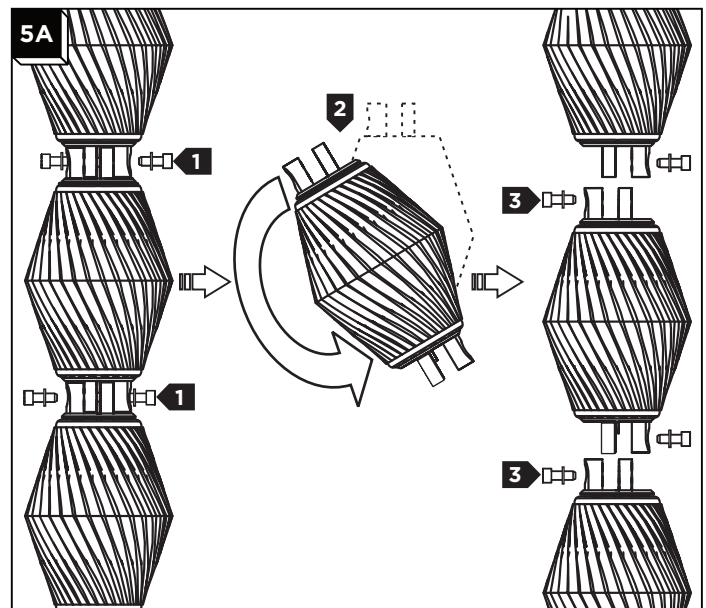
### Install the End Cap (Optional)



- 1 Install the end cap to the end of a string using the washers and Allen screws making sure to match the polarity. Tighten the Allen screws until snug.

**NOTE:** If one or more modules do not light up when powered on, shut off the power and continue to step 5A for troubleshooting.

### Troubleshooting



- 1 Remove the Allen screws and lock washers from the unlit module. Remove the module from the string assembly.
- 2 Turn the previously unlit module 180° (opposite of initial install).
- 3 Reinstall the module to the string assembly using the washers and Allen screws making sure to match the polarity. Tighten the Allen screws until snug.