

Bau 18 Pendant

700BAU18

1.0



TECH LIGHTING®

PENDANTS

CAUTION - RISK OF FIRE
 This product must be installed in accordance with the applicable installation code by a person familiar with the construction and operation of the product and the hazards involved.
Use minimum 90°C supply conductors.

GENERAL PRODUCT INFORMATION:



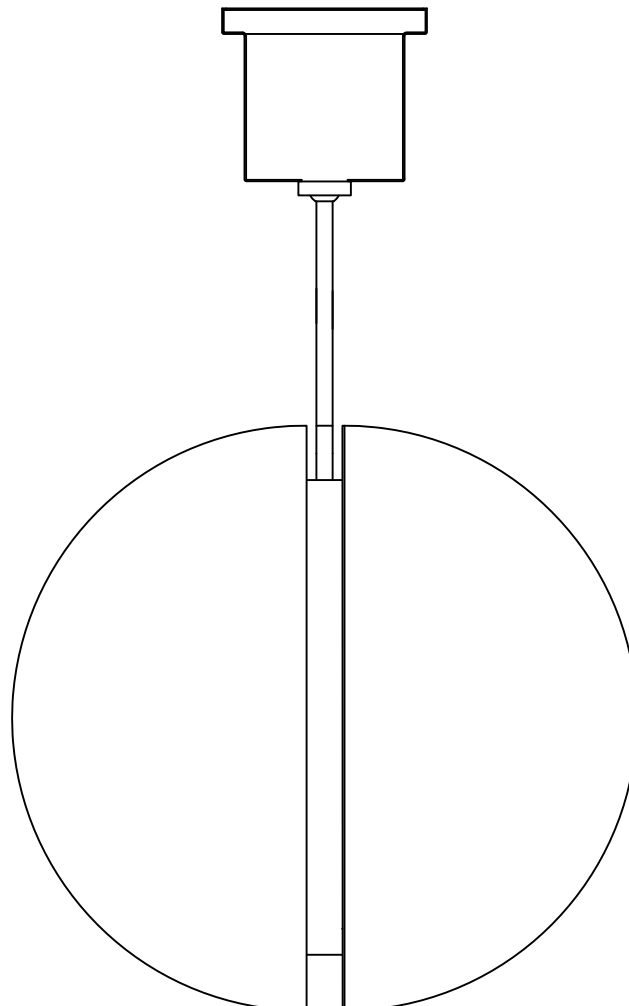
This product is suitable for indoor locations.

This product can be dimmed with a standard electronic dimmer.

This instruction shows a typical installation.

DANGER
 The complete fixture exceeds 75 lbs., it must be supported independently of the outlet box unless the outlet box is listed for the weight to be supported.

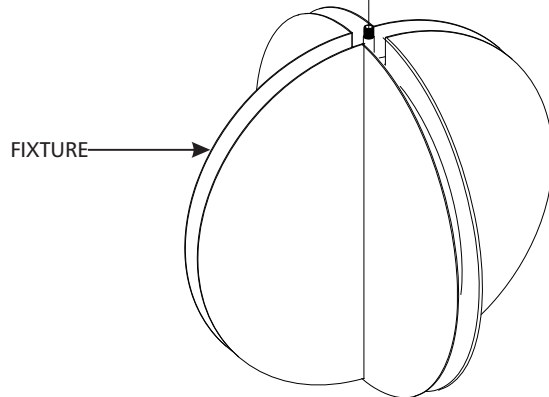
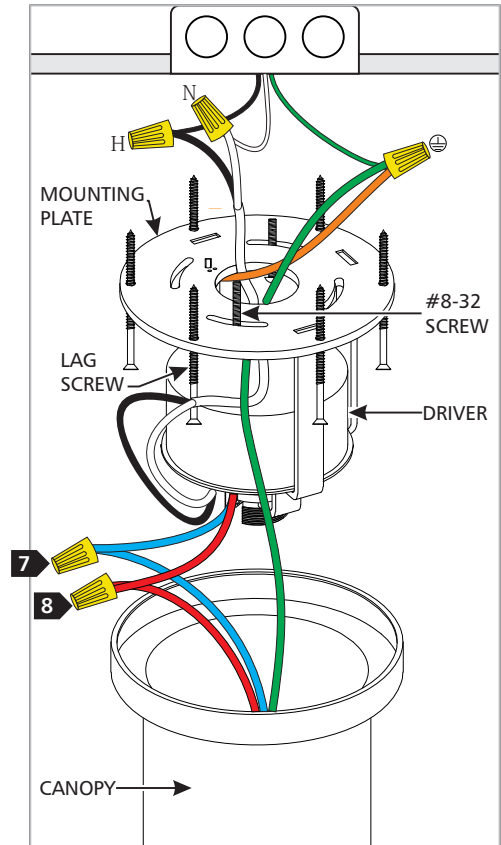
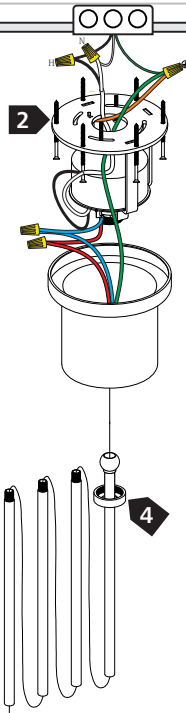
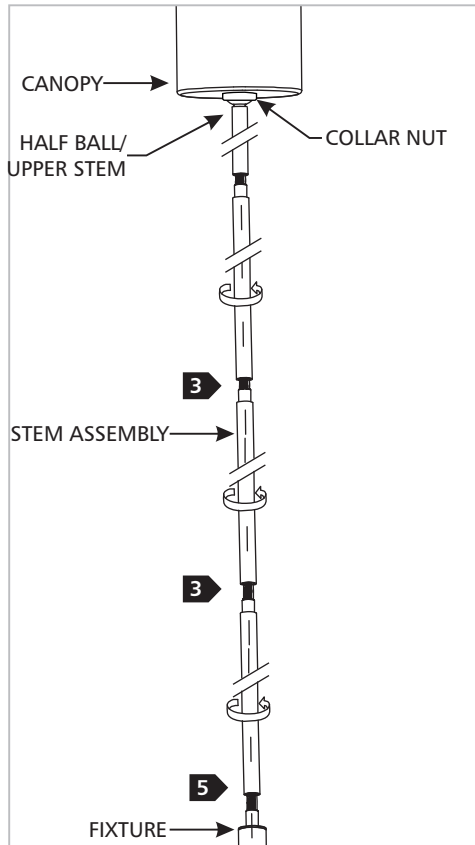
SAVE THESE INSTRUCTIONS!




TECH LIGHTING
 7400 Linder Ave., Skokie, IL 60077
 T 847.410.4400 | F 847.410.4500
www.techlighting.com

Install the Fixture

1A



- 1 Remove the mounting plate and driver from the canopy.
- 2 Secure the mounting plate to the junction box with the provided #8-32 screws. **DANGER: If the junction box is not rated for 75 lbs. or more, the mounting plate must be supported independently of the junction box.**
- 3 Determine the desired height of the fixture using the provided stems and half ball/upper stem and assemble them by screwing them together.
- 4 Slide the collar nut over the half ball/stem assembly.
- 5 Feed the fixture wires through the stem assembly, then screw the stem assembly to the top of the fixture.
- 6 Feed the fixture wires and half ball/stem assembly through the canopy, then seat the half ball into the mounting plate. **(Make sure to avoid pinching the wires.)**
- 7 Connect the blue driver wire to the blue fixture wire with a wire nut.
- 8 Connect the red driver wire to the red fixture wire with a wire nut.
- 9 Connect the fixture to a suitable ground in accordance with local electrical codes.
- 10 Connect the white driver wires to the neutral power line wire with a wire nut.
- 11 Connect the black driver wires to the hot power line wire with a wire nut.
- 12 Neatly place the drivers, all wires, and wire nut connections inside the canopy, slide the canopy up to over the mounting bracket and secure in place with the collar nut.