

Spur Chandelier

700TDSPR_ 1.1



GENERAL PRODUCT INFORMATION:



These fixtures are intended to be installed utilizing NEC compliant junction boxes.

This product is suitable for damp locations.

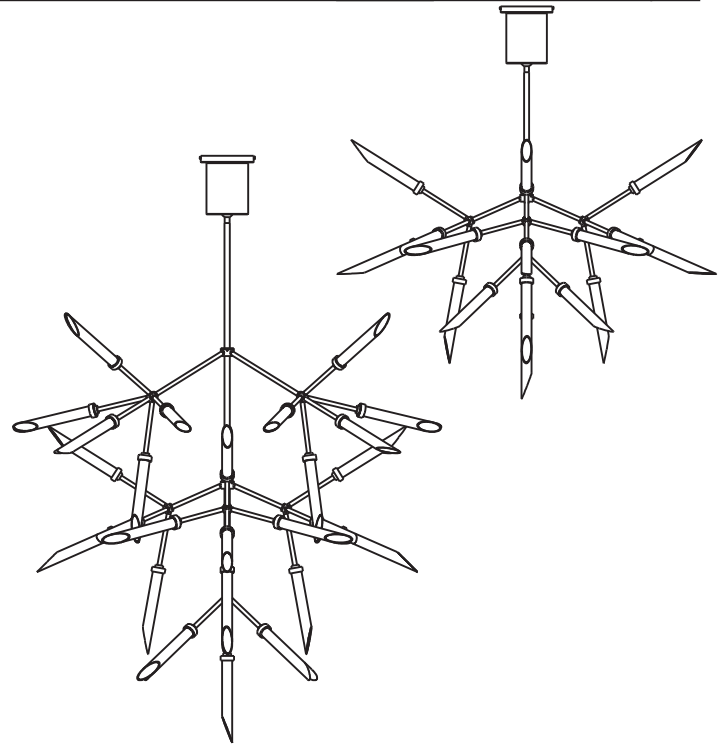
This instruction shows a typical installation.

CAUTION - RISK OF FIRE

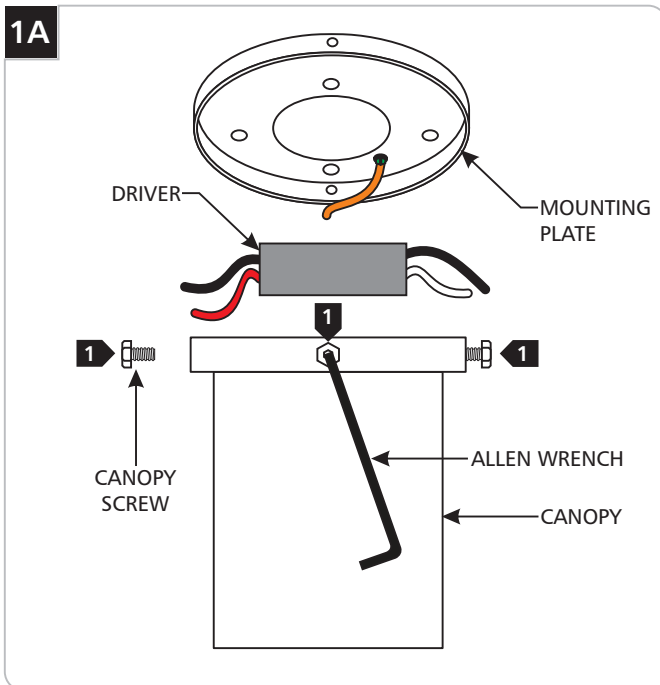
This product must be installed in accordance with the applicable installation code by a person familiar with the construction and operation of the product and the hazards involved.

Use minimum 90°C supply conductors.

Two Person Installation Recommended

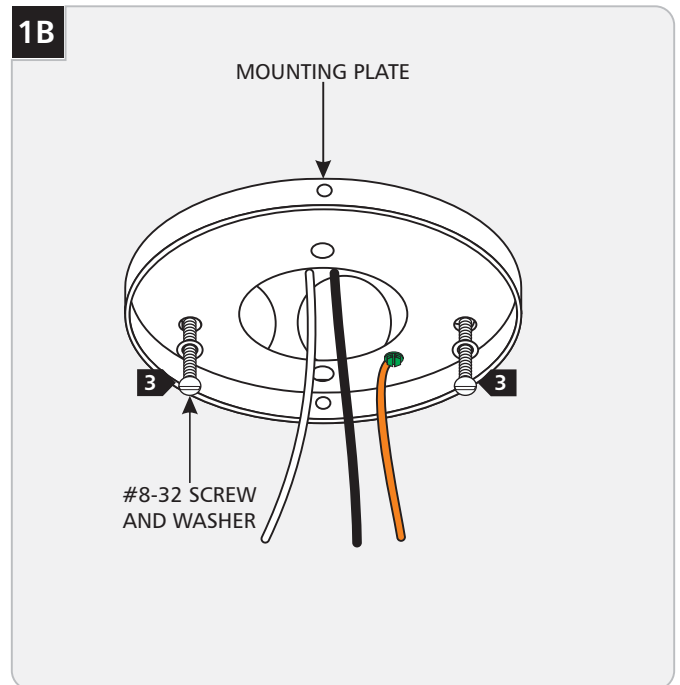


Install the Mounting Plate



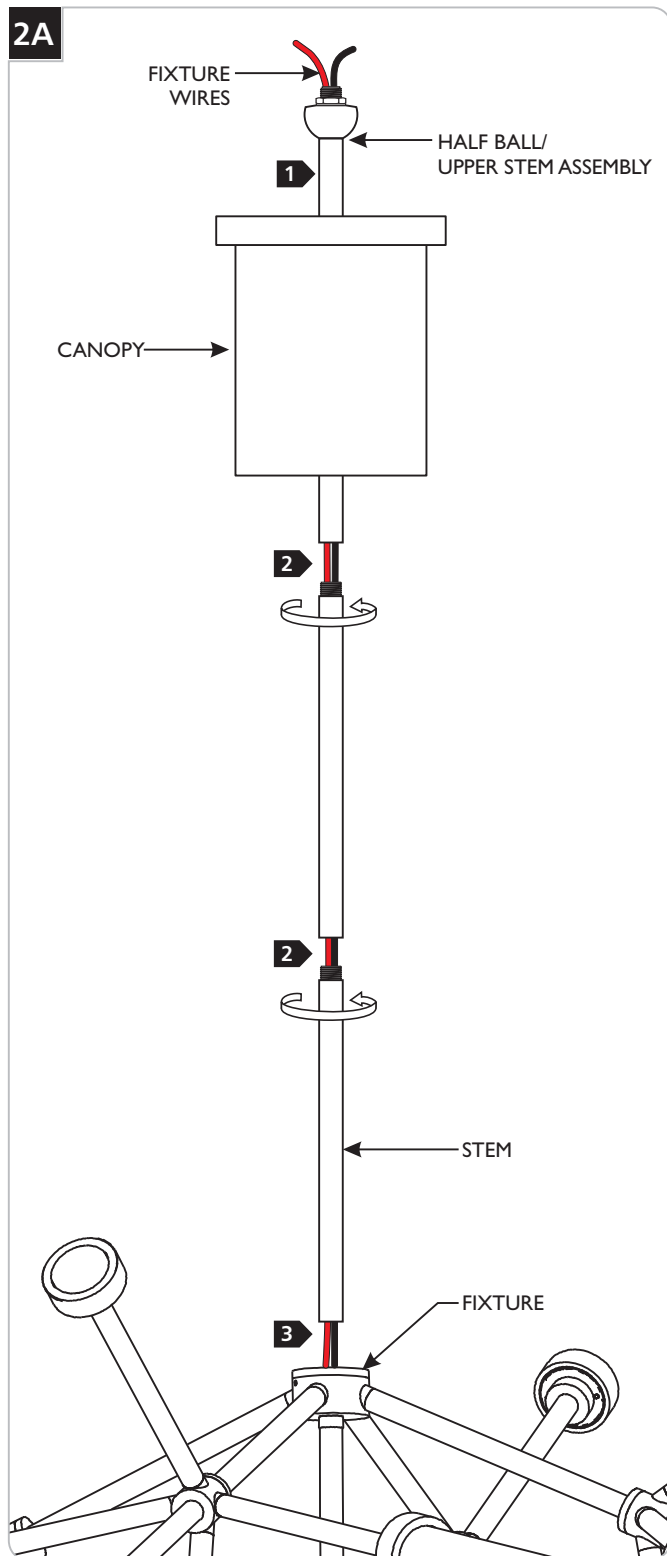
1 Remove all the canopy screws using the provided Allen Wrench.

2 Remove the mounting plate and driver from the canopy.



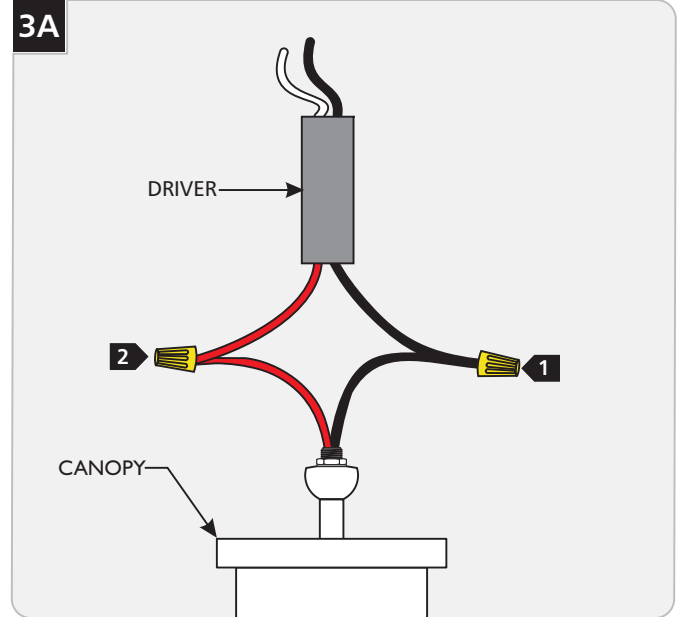
3 Secure the mounting plate to the electrical box with the two washers and #8-32 screws provided.

Assemble the Fixture

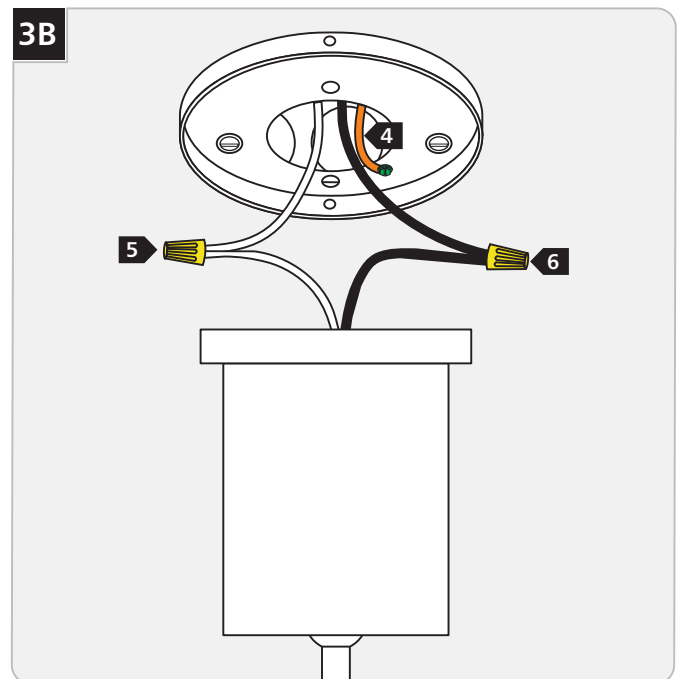


- 1 Feed the half ball/upper stem assembly through the top of the canopy.
- 2 Determine the desired height of the fixture using the provided stems and assemble them by screwing them together.
- 3 Feed the fixture wires through the stem and half ball assemblies, then screw the stem assembly to the fixture.

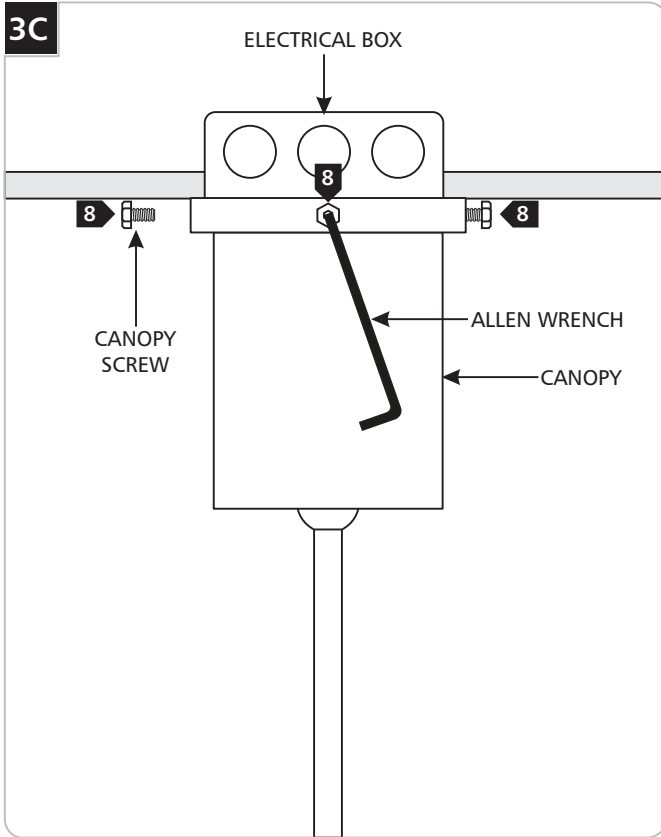
Install the Fixture



- 1 Connect the black driver wire to the black fixture wire with a wire nut.
- 2 Connect the red driver wire to the red fixture wire with a wire nut.
- 3 Neatly place the driver and wires inside the canopy.

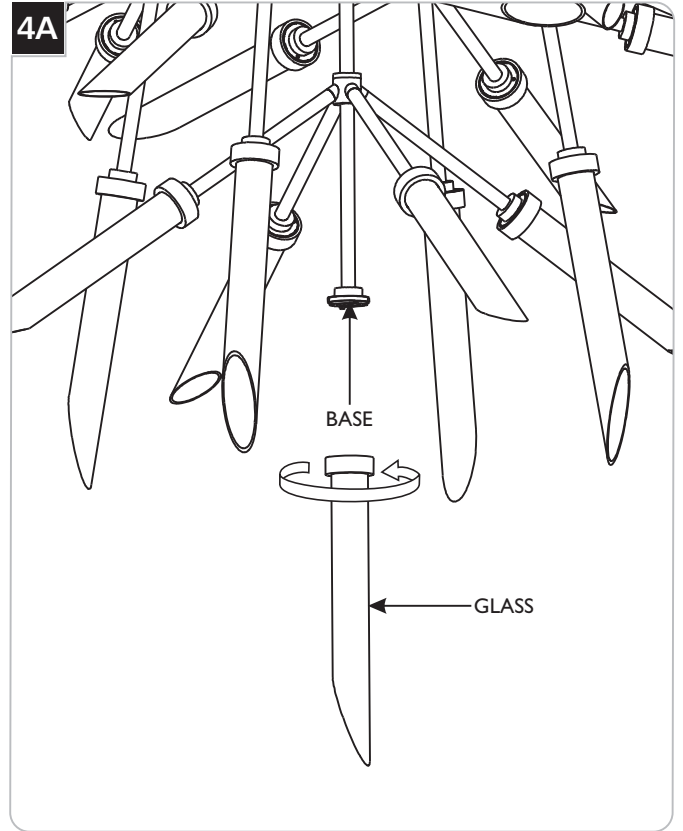


- 4 Connect the fixture to a suitable ground in accordance with local electrical codes.
- 5 Connect the white driver wire to the neutral power line wire with a wire nut.
- 6 Connect the black driver wire to the hot power line wire with a wire nut.



- 7** Neatly place all wires and wire nut connections inside the canopy.
- 8** Align the canopy holes with the mounting plate holes. Secure the canopy in place by tightening the canopy screws using the provided Allen Wrench.

Install the Glass



- 1** Install the glass by screwing it into the base. **Do not over-tighten.**

SAVE THESE INSTRUCTIONS!



7400 Linder Ave, Skokie, IL 60077
847.410.4400

www.techlighting.com

© 2017 Tech Lighting, L.L.C. All rights reserved. The "Tech Lighting" graphic is a registered trademark of Tech Lighting, L.L.C. Tech Lighting reserves the right to change specifications for product improvements without notification.
A Generation Brands Company