

# Sedona Double Chandelier

700SDNMPL2\_ 1.0



## CHANDELIER

### GENERAL PRODUCT INFORMATION:

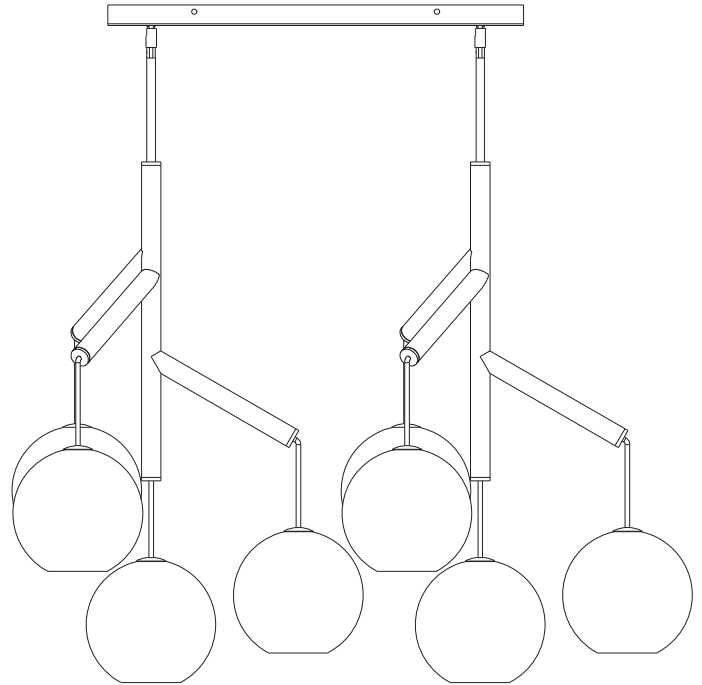
These fixtures are intended to be installed utilizing NEC compliant junction boxes.

This product is suitable for damp locations.

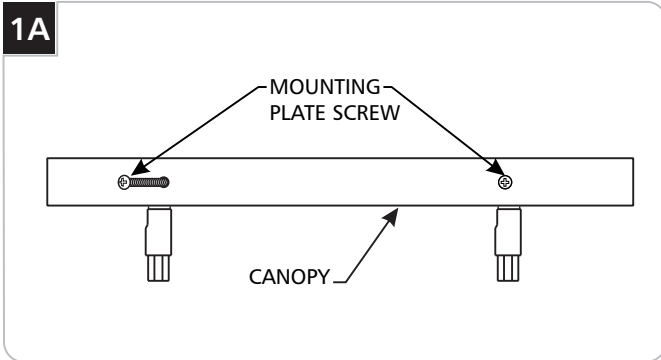
Dimmable with LED compatible dimmer or triac dimmer.



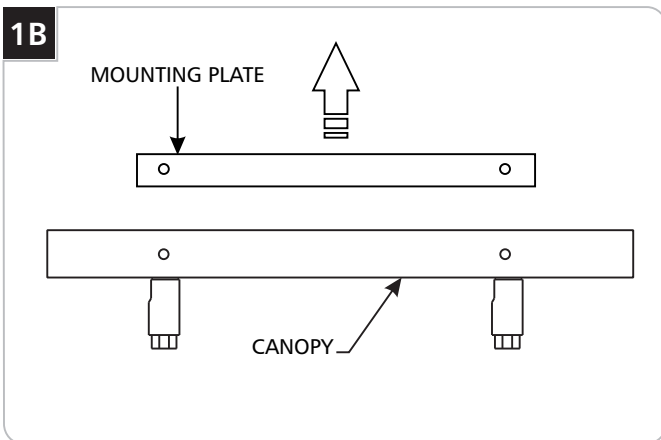
**CAUTION - RISK OF FIRE**  
 This product must be installed in accordance with the applicable installation code by a person familiar with the construction and operation of the product and the hazards involved.  
 Use minimum 90°C supply conductors.



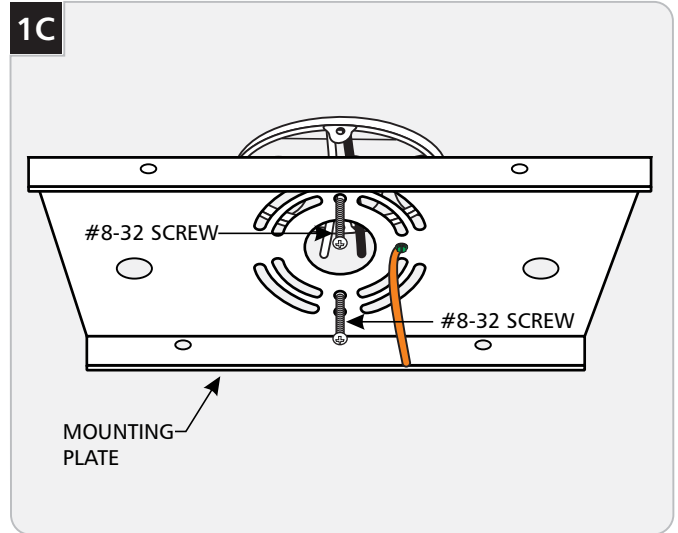
## Install the Mounting Plate



**1** Separate the mounting plate from the canopy by removing all four screws.



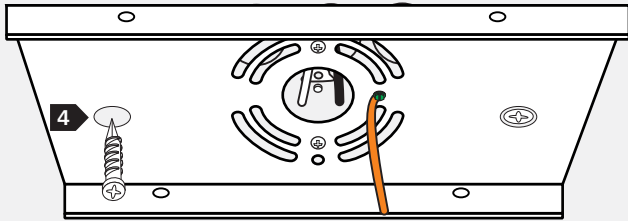
**2** Remove the mounting plate from the canopy.



**3** Secure the mounting plate to the electrical box with the two #8-32 screws provided.

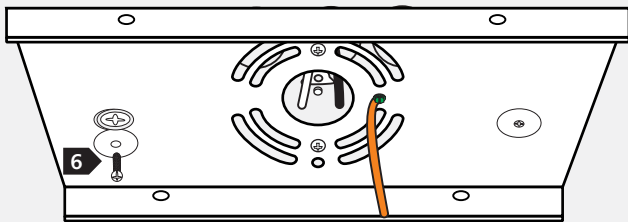
## Assemble the Fixture

1D



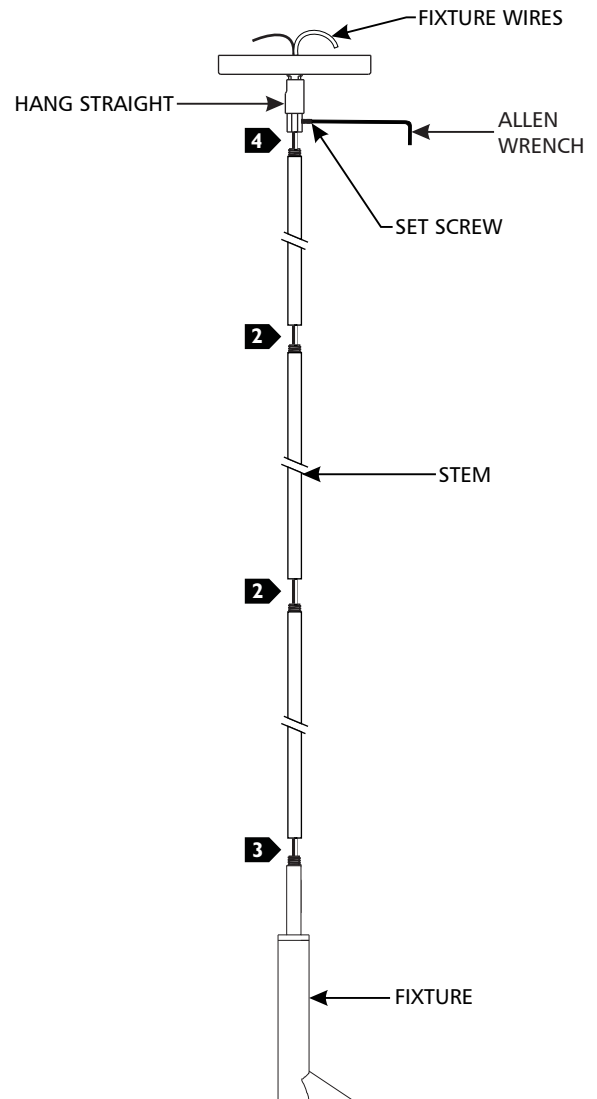
- 4 Line up an anchor with the center of a backplate hole and push the anchor in up to the threads.
- 5 Screw the anchor the rest of the way in with a screwdriver.

1E



- 6 Secure the backplate to the anchor with a screw and washer.
- 7 Repeat steps 4-6 for the remaining anchor hole.

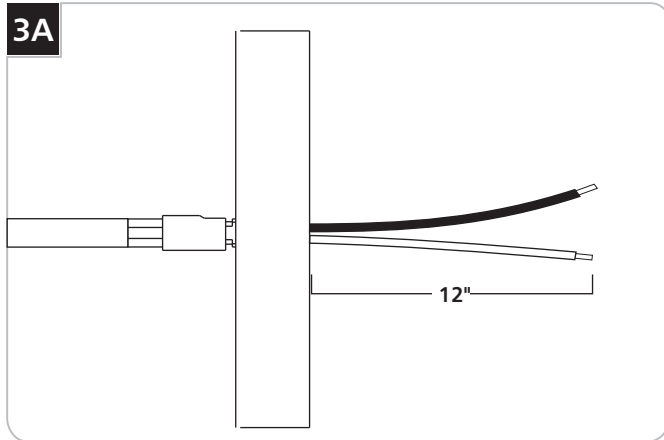
2A



**NOTE:** Complete the next steps for each section of the chandelier.

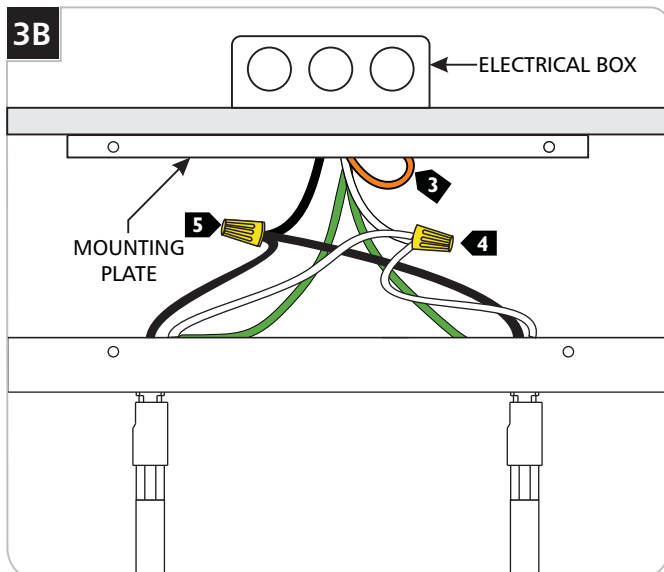
- 1 Loosen the set screw on the hang straight using the provided Allen wrench.
- 2 Determine desired length of fixture using the provided stems and assemble them by screwing them together.
- 3 Feed the fixture wires through the stem assembly and screw it to the fixture.
- 4 Feed the fixture wires through the hang straight and screw it onto the stem assembly.
- 5 Re-tighten the set screw on the hang straight.

## Install the Fixture



**1** Leave 12" of the cord behind the canopy for power connections. Cut the excess cord.

**2** Strip the end of the wires.



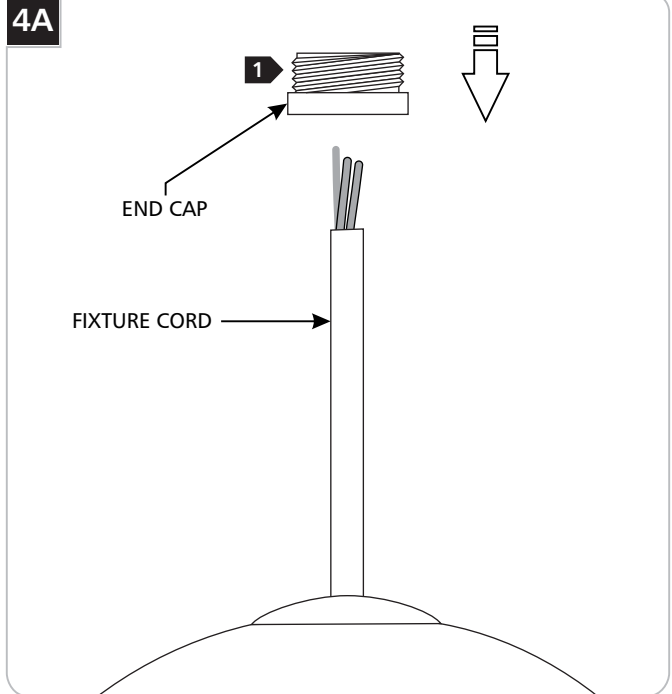
**3** Connect the ground wire to a suitable ground in accordance with local electrical codes.

**4** Connect the white wires to the neutral power wire with a wire nut.

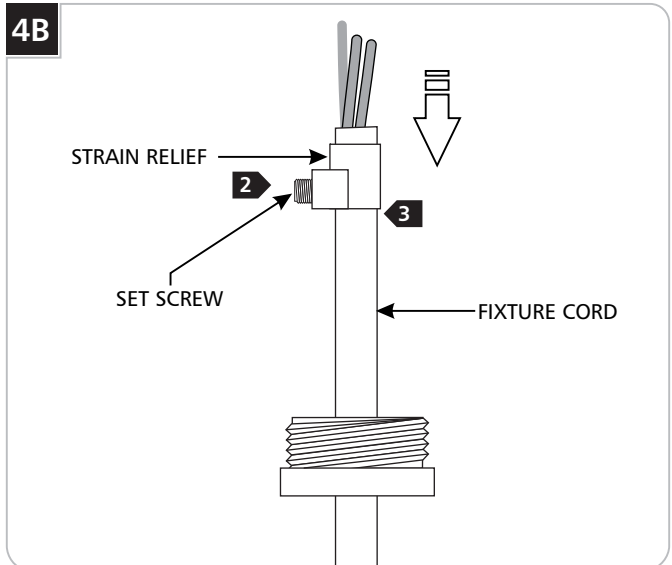
**5** Connect the black wires to the hot power wire with a wire nut.

**6** Neatly place all wires and wire nut connections in the canopy and reinstall the canopy to the mounting plate (reversal of step 1A).

## Install the Pendants



**1** Slide the end cap over the fixture cord making sure the threading faces upward.

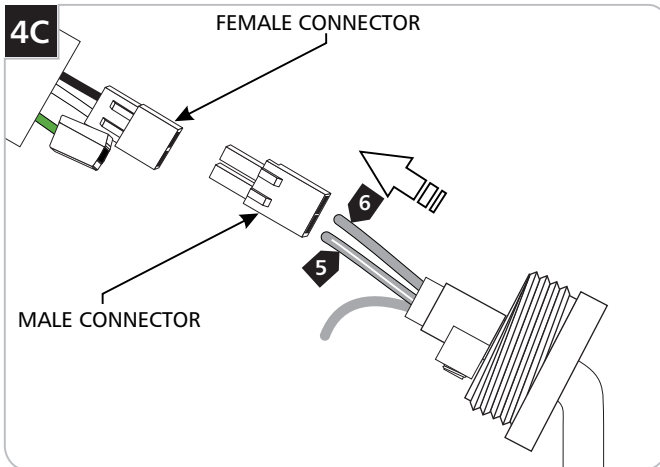


**2** Loosen (**do not remove**) the set screw in the strain relief.

**3** Slide the strain relief over the fixture cord and position it near the end of the cord.

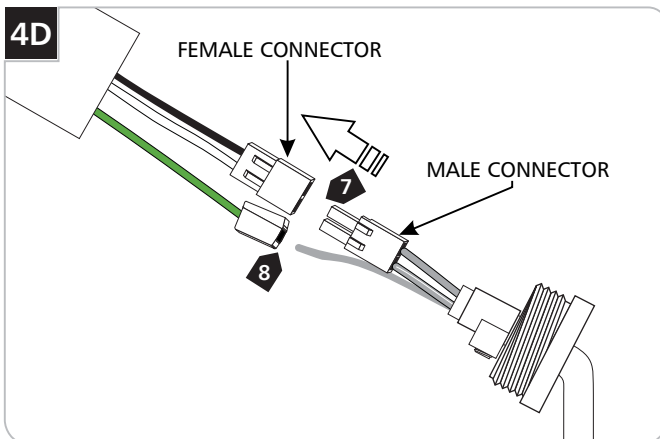
**4** Tighten the set screw in the strain relief to hold it in place.

## Install the Lamps

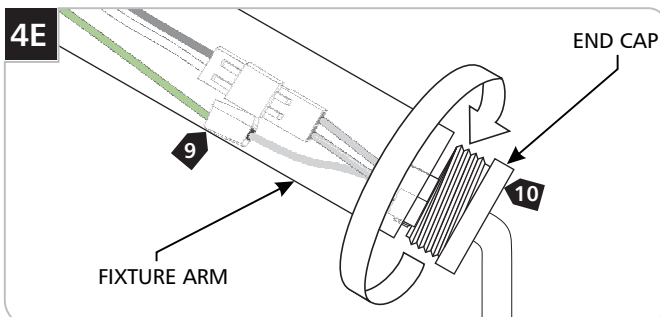


**CAUTION:** Exposed hot and neutral conductors may result in a short. Ensure no bare wire is exposed.

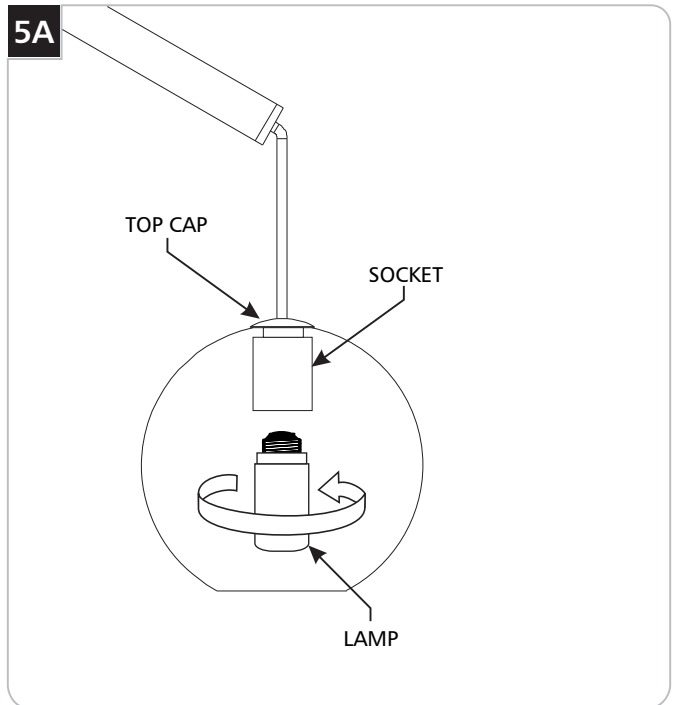
- 5 Push the neutral wire (white tracer) all the way into the side of the male connector that lines up with the white wire on the female connector.
- 6 Push the hot wire all the way into the other side of the male connector.



- 7 Connect the male connector by pushing it into the female connector until it locks in place.
- 8 Compress the ground wire connector and insert the bare silver wire, then release the connector.



- 9 Gently insert all connections into the fixture arm.
- 10 Screw the end cap on to the fixture arm.



**CAUTION:** To reduce the risk of a burn or electric shock during re-lamping, disconnect the power to the fixture.

Refer to fixture marking for lamp information.

- 1 Screw the lamps into the sockets.

**Note:** If glass hangs crooked, slightly loosen top cap and adjust as needed once the fixture is hung, then re-tighten.

**SAVE THESE INSTRUCTIONS!**

 **TECH LIGHTING®**

7400 Linder Ave, Skokie, IL 60077  
847.410.4400

[www.techlighting.com](http://www.techlighting.com)

© 2017 Tech Lighting, L.L.C. All rights reserved. The "Tech Lighting" graphic is a registered trademark of Tech Lighting, L.L.C. Tech Lighting reserves the right to change specifications for product improvements without notification.  
A Generation Brands Company