

# Voto 6 Wall

7000WVOT\_6\_ 1.1



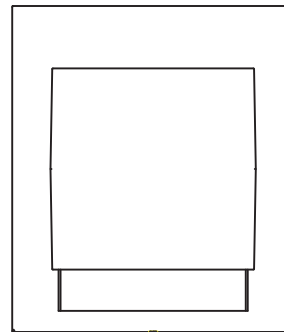
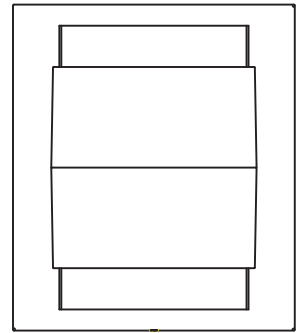
## GENERAL PRODUCT INFORMATION:

These fixtures are intended to be installed utilizing NEC compliant junction boxes.



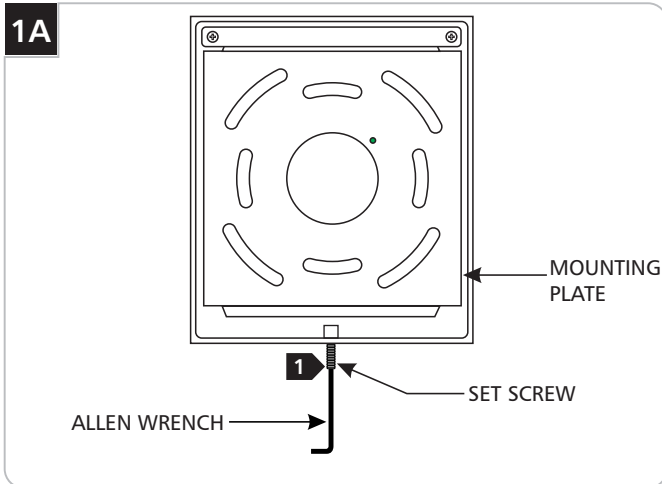
This product may be dimmed with a low-voltage electronic dimmer or a 0-10V dimmer depending on the wiring configuration.

Suitable for wet locations.

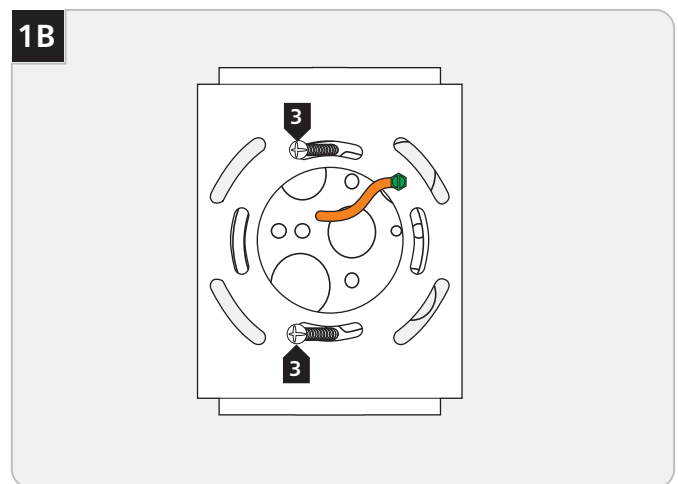


**CAUTION - RISK OF FIRE**  
 This product must be installed in accordance with the applicable installation code by a person familiar with the construction and operation of the product and the hazards involved.  
 Use minimum 90°C supply conductors.

## Install the Fixture

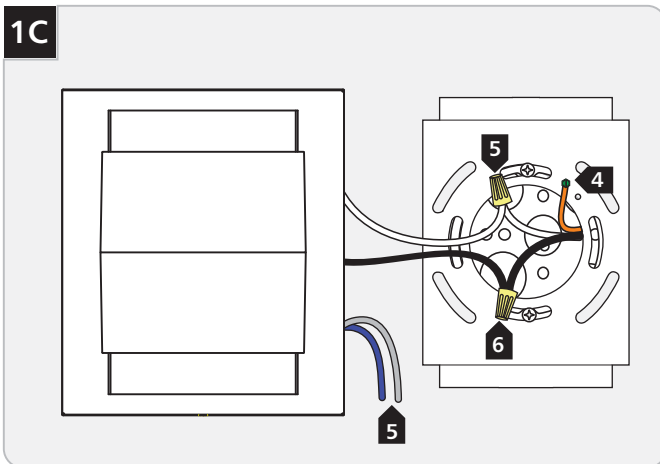


- 1 With the Allen wrench provided, back out (do not fully remove) the set screw at the base of the fixture.
- 2 Remove the mounting plate from the back of the fixture.



- 3 Attach the mounting plate to the electrical box using the two provided #8-32 screws .

1C

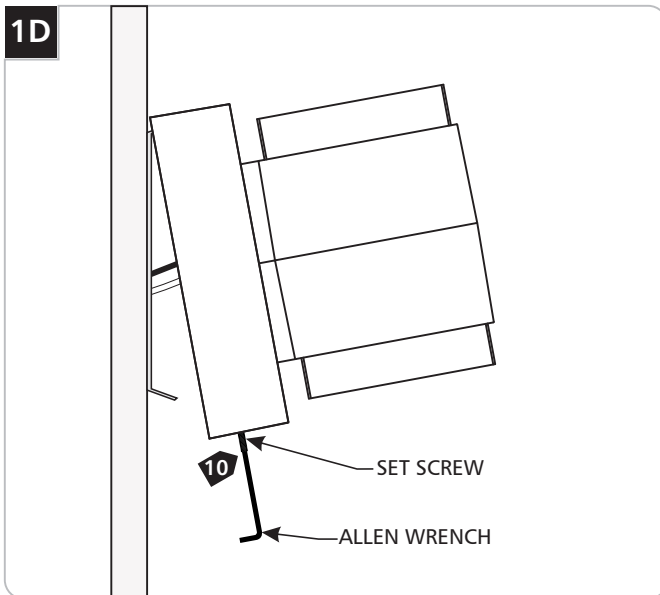


- 4 Connect the backplate wire to a suitable ground in accordance with local electrical codes.
- 5 Connect the white driver wire to the neutral power line.
- 6 Connect the black driver wire to the hot power line.
- 7 Use the gray and purple dimming wires for 0-10v dimming application (if not in use, make sure to cap these wires off).

**Warning:** The purple and gray wires are only used for 0-10v dimming. For all other applications, do not connect the gray and purple wires.

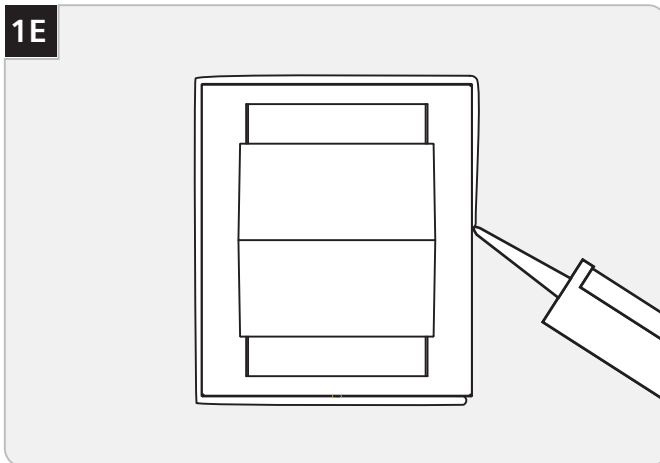
**Note for In-Line Fuse equipped fixtures:** in the case that the fixture is not operating correctly, make sure to check the fuse.

1D



- 8 Properly place all wires and wire nut connections into the fixture.
- 9 Hook the top of the fixture to the top of the mounting plate and swing the bottom of the fixture toward the plate until it is flush with the wall.
- 10 Tighten the set screw at the bottom of the fixture.

1E



- 11 For wet locations, caulk around the base with waterproof construction sealant.

**SAVE THESE INSTRUCTIONS!**



**TECH LIGHTING®**

7400 Linder Ave, Skokie, IL 60077

847.410.4400

[www.techlighting.com](http://www.techlighting.com)

© 2017 Tech Lighting, L.L.C. All rights reserved. The "Tech Lighting" graphic is a registered trademark of Tech Lighting, L.L.C. Tech Lighting reserves the right to change specifications for product improvements without notification.

A Generation Brands Company