

Vex Outdoor Wall

7000WVEX_-LED 1.0



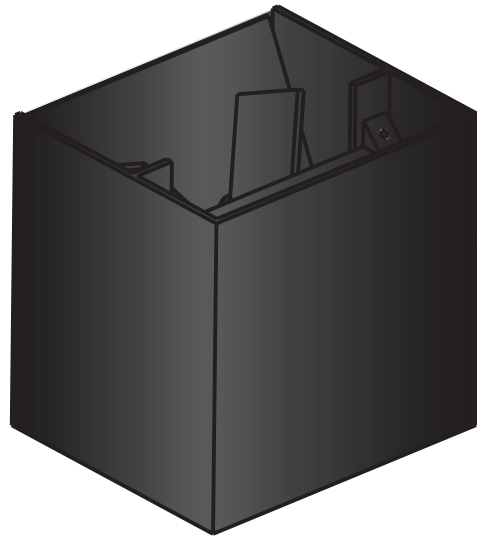
GENERAL PRODUCT INFORMATION:

These fixtures are intended to be installed utilizing NEC compliant junction boxes.



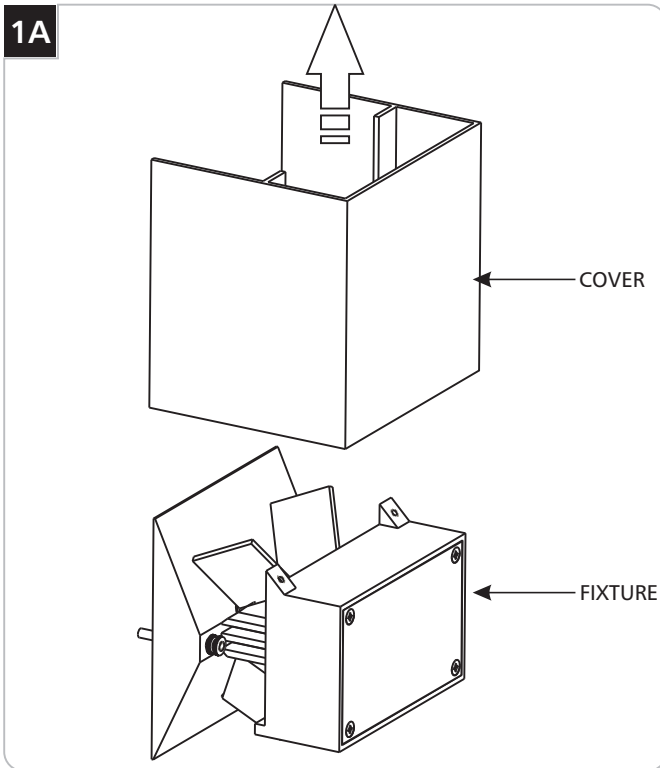
This product may be dimmed with a low-voltage electronic dimmer or a 0-10V dimmer depending on the wiring configuration.

Suitable for wet locations.

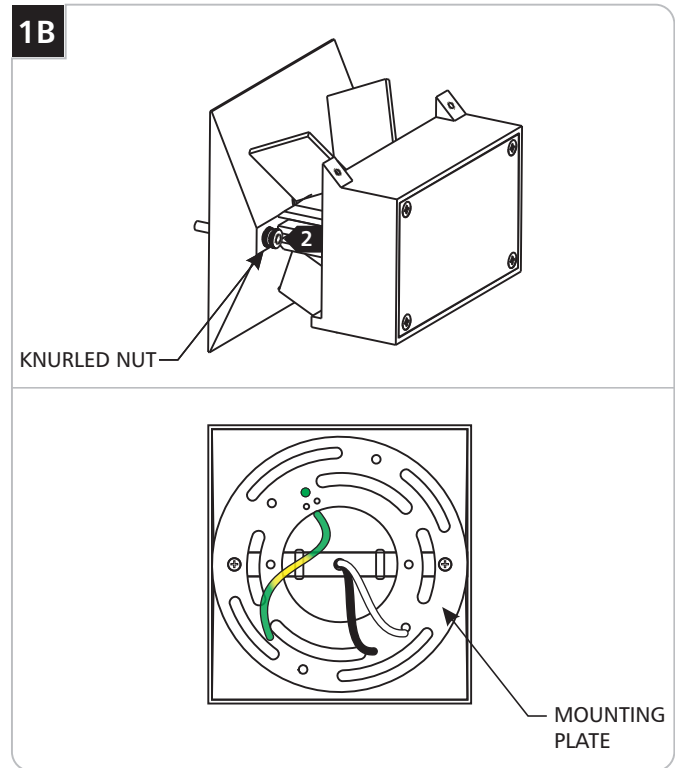


CAUTION - RISK OF FIRE
 This product must be installed in accordance with the applicable installation code by a person familiar with the construction and operation of the product and the hazards involved.
 Use minimum 90°C supply conductors.

Install the Fixture



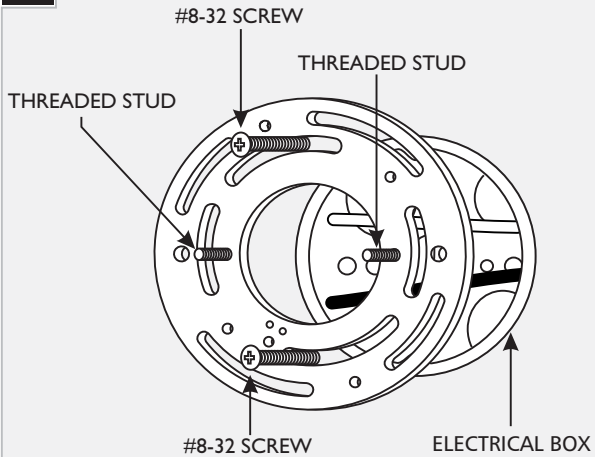
1 Slide the cover off of the fixture.



2 Unscrew and remove the knurled nuts.

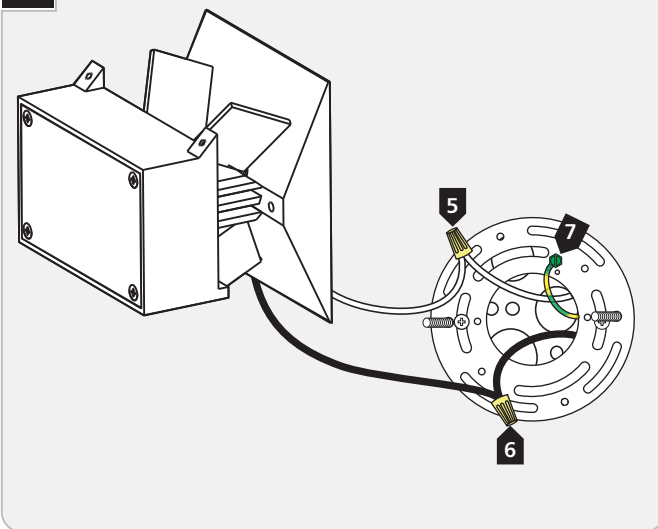
3 Remove the mounting plate from the back of the fixture.

1C



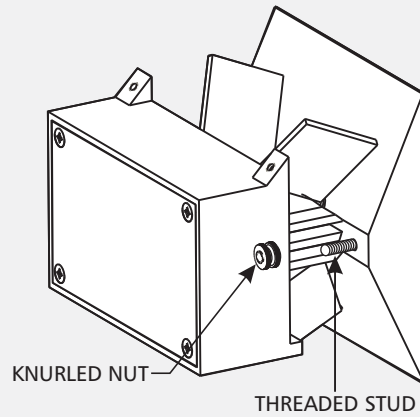
- 4** Align the two mounting studs horizontally and mount the mounting plate to the electrical box with the two #8-32 screws provided.

1D



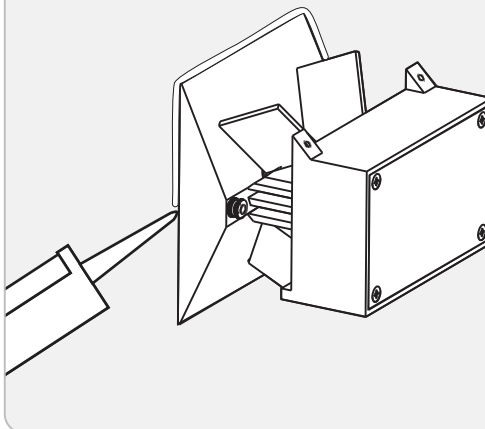
- 5** Connect the white fixture wire to the neutral power line wire with a wire nut.
- 6** Connect the black fixture wire to the hot power line wire with a wire nut.
- 7** Connect the fixture to a suitable ground in accordance local electrical codes.

1E



- 8** Neatly tuck all wires and wire nut connections into the electrical box, mount the fixture onto the threaded studs, and secure it in place by screwing the knurled nuts onto the studs.

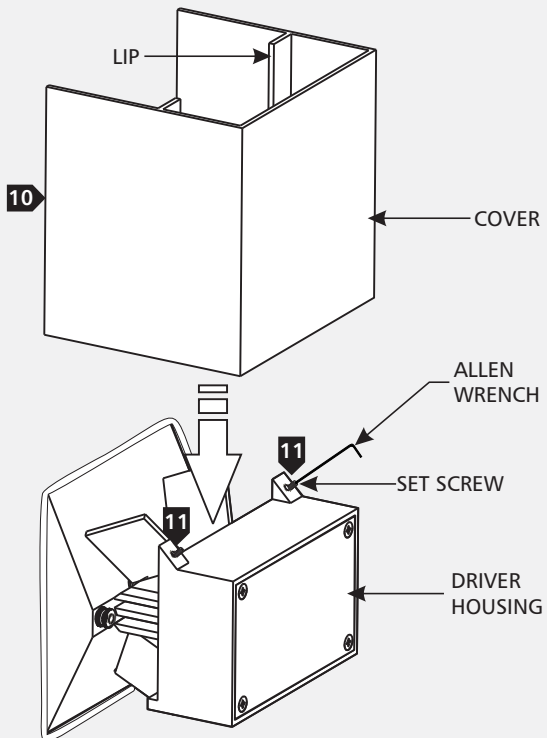
1F



- 9** For wet locations, caulk around the base with waterproof construction sealant.

Adjust the Fixture

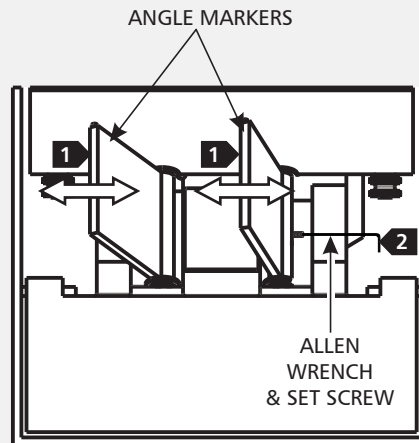
1G



NOTE: Make sure the sealant is dry before reinstalling the cover.

- 10 Install the cover by sliding it back onto the fixture making sure the lips of the cover are behind the driver housing.
- 11 Secure the cover in place by tightening the set screws with the provided Allen wrench.

2A



- 1 The angle markers can be adjusted independently. Open and close the angle markers on the top and bottom of the fixture to the desired beam angle.
- 2 Tighten the set screws on the sides of the angle markers with the provided Allen wrench to lock them in place.

SAVE THESE INSTRUCTIONS!



7400 Linder Ave, Skokie, IL 60077

847.410.4400

www.techlighting.com

© 2017 Tech Lighting, L.L.C. All rights reserved. The "Tech Lighting" graphic is a registered trademark of Tech Lighting, L.L.C. Tech Lighting reserves the right to change specifications for product improvements without notification.

A Generation Brands Company