

Strikingly elegant in its simplicity, an unembellished tubular wall sconce design creates a modern industrial look while producing abundant up and down lighting for indoor or outdoor illumination.

Outstanding protection against the elements:

- Marine-grade powder coat and PVD finishes
- Stainless Steel mounting hardware
- Impact-resistant, UV stabilized frosted acrylic lensing

SPECIFICATIONS

DELIVERED LUMENS	1286
WATTS	11.8
VOLTAGE	Universal 120-277V, with integral transient 2.5kV surge protection (driver)
DIMMING	0-10, ELV, TRIAC
LIGHT DISTRIBUTION	Symmetric
MOUNTING OPTIONS	Wall (Up or Down)
CCT	3000K
CRI	90+
COLOR BINNING	3-Step
BUG RATING	B1-U4-G0
DARK SKY	Non-compliant
WET LISTED	IP65
GENERAL LISTING	ETL
CALIFORNIA TITLE 24	Can be used to comply with CEC 2016 Title 24 Part 6 for outdoor use. Registration with CEC Appliance Database not required.
START TEMP	-30°C
FIELD SERVICEABLE LED	Yes
CONSTRUCTION	Aluminum
HARDWARE	Stainless Steel
FINISH	Black: Marine Grade Powder Coat Satin Nickel: PVD
LED LIFETIME	L70; 70,000 Hours
WARRANTY*	5 Years
WEIGHT	4 lbs.

* Visit techlighting.com for specific warranty limitations and details.



CHARA 26 WALL
shown in black

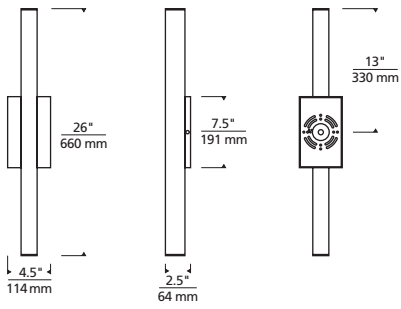


CHARA 26 WALL
shown in satin nickel

ORDERING INFORMATION

700OWCHA	CRI/CCT	LENGTH	FINISH	FUNCTION	VOLTAGE	DISTRIBUTION
930	90 CRI, 3000K	26 26"	B BLACK S SATIN NICKEL (PVD)	UD UPLIGHT/DOWNLIGHT	UNV 120V-277V	S SYMMETRIC

CHARA 26 WALL SCONCE



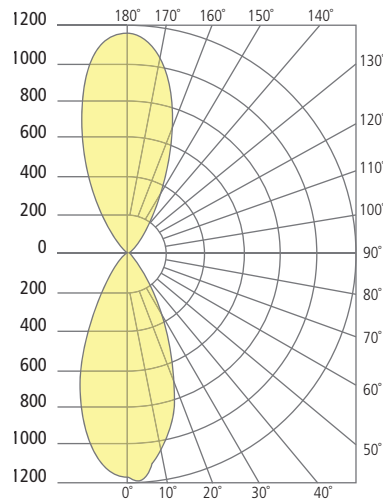
Chara Sconce

PHOTOMETRICS*

*For latest photometrics, please visit www.techlighting.com/OUTDOOR

CHARA WALL

Total Lumen Output: 1286
 Total Power: 11.8
 Luminaire Efficacy: 109
 Color Temp: 3000K
 CRI: 90
 BUG Rating: B1-U4-G0



PROJECT INFO

FIXTURE TYPE & QUANTITY

JOB NAME & INFO

NOTES



2019 Tech Lighting, L.L.C. All rights reserved. The "Tech Lighting" graphic is a registered trademark. Tech Lighting reserves the right to change specifications for product improvements without notification.



VISUAL COMFORT GROUP

7400 Linder Avenue, Skokie, Illinois 60077

T 847.410.4400 F 847.410.4500