

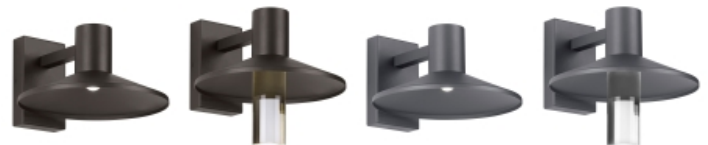
PRODUCT FEATURES

- From the brand formerly known as Tech Lighting
- Powerful, long lasting (L70, 70,000 hours) dimmable LED tested against the highest quality standards to ensure it delivers consistent LED performance and color over time.
- Die-cast aluminum structure, powder coat finish, and stainless steel hardware for robust durability in harsh elements.
- Universal 120-277 volt driver with integral transient surge protection at 2.5KV per American National Standard (ANSI) and IEEE standards.
- Wet listed, IP65 (International Protection rating indicating resistance to dust and water. Suitable and safe for commercial use).
- Available high or low output with a choice of 2700K or 3000K color temperatures. Available in modern finishes



Charcoal
Clear Cylinder

LAMPING



Bronze
Clear Lens

Bronze
Clear Cylinder

Charcoal
Clear Lens

Charcoal
Clear Cylinder

ORDERING INFORMATION

7000WASH	CRI	LENGTH (A)	LENS (A)	FINISH	VOLTAGE	OPTIONS
H927	90 CRI 2700K HIGH OUTPUT	12 1/2"	C CYLINDER	Z BRONZE	UNV 120-277V UNIVERSAL	NONE
L927	90 CRI 2700K LOW OUTPUT		D DOME	H CHARCOAL		PC BUTTON PHOTOCONTROL
H930	90 CRI 3000K HIGH OUTPUT					PCSP BUTTON PHOTOCONTROL, SURGE PROTECTION
L930	90 CRI 3000K LOW OUTPUT					SP SURGE PROTECTION

7000WASH _____

JOB NAME _____

NOTES _____

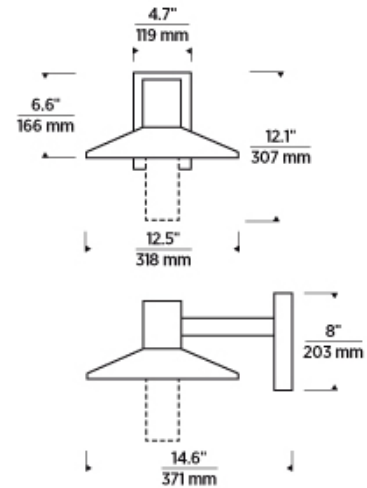


ASH 12 OUTDOOR WALL

VISUAL COMFORT & Co.

SPECIFICATIONS

PRIMARY MATERIAL	Aluminum
SHADE MATERIAL	Aluminum
NET WEIGHT	4 lbs
HEIGHT	12.1in
WIDTH	14.6in
LENGTH	12.5in
WET LISTED	
DAMP LISTED	
DRY LISTED	
GENERAL LISTING	ETL Listed
INCLUDES	



LAMPING SPECIFICATIONS

	LED LAMP	INTEGRATED LED	NON LED	NO LAMP
DELIVERED LUMENS		1215 963.0 618.0 500		
WATTS		18 8.2		
MAX WATTAGE PER BULB		18W		
CCT		Universal 120V-277V 0-10, ELV 2700K 3000K		
CRI		90 CRI 2700K High Output 90 CRI 3000K High Output 90 CRI 2700K Low Output 90 CRI 3000K Low Output		
LED LIFETIME				
L70		>60000		
AVERAGE BULB HOURS				
FIELD SERVICEABLE LED				
LAMP BASE		Integrated LED		
LAMP SHAPE		Integrated LED		
LAMP INCLUDED?		True		
WARRANTY**		5 Years		

* Dimming information available at www.techlighting.com/Downloads#dimming

** Visit techlighting.com for specific warranty limitations and details.

T20 / T24 / JA8 INFORMATION

	Integrated LED	Replacement LED Lamp	No Lamp *
This product can be used to comply with California Building Energy Efficiency Standards 2016 Title 24 Part 6 / JA8.	Yes		
This product can be used to comply with California Appliance Efficiency Standards 2016 Title 20 and may be shipped to and sold in California.	N/A		

* If a light fixture or component does not include a lamp or light source, it is the responsibility of the customer to select a lamp that meets the T24 and T20 requirements.

