

PRODUCT FEATURES

- Inspired by textiles, hand-blown glass wall sconce features linen weave design
- Recommended lamping is 1 candelabra based bulb with 25w maximum (purchased separately), or can be ordered with optional 2 watt LED T6 bulb for enhanced energy efficiency
- Fully dimmable with most dimmers to create just the right atmosphere
- Linen weave design silk screened on hand-blown glass shade, creates a textured surface through which the light softly glows
- Round backplate with satin nickel finish completes the look
- Protected by a 1-year warranty. please go to www.techlighting.com for warranty details



Linen



Linen

LAMPING

Available with or without lamp. E12 candelabra base socket 25w max. LED version includes (1) 2 watt 159.7 delivered lumens 90CRI 2700K LED T6. Dimmable with a low-voltage electronic dimmer. Can be mounted up or down. ADA compliant.

ORDERING INFORMATION

700WSVTR	COLOR	FINISH	LAMP
	LN LINEN	S SATIN NICKEL	NO LAMP
			-LED927 LED 90 CRI 2700K 120V (T20/T24)

700WSVTR _____

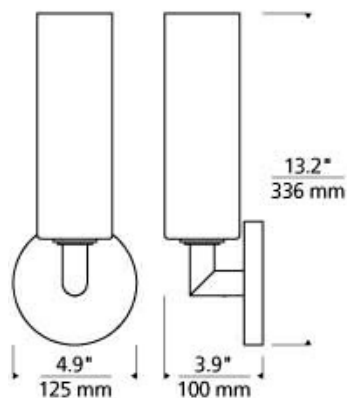
JOB NAME _____

NOTES _____



SPECIFICATIONS

HARDWARE MATERIAL	Metal
SHADE MATERIAL	Glass
NET WEIGHT	1.5 lbs
HEIGHT	13.2in
WIDTH	3.9in
LENGTH	4.9in
MIN. EXTENSION FROM WALL	3.9in
UP LIGHT / DOWN LIGHT / BOTH?	
WET LISTED	
DAMP LISTED	Yes
DRY LISTED	
UP / DOWN	
HORIZONTAL / VERTICAL	
WALL / CEILING MOUNT	
GENERAL LISTING	ETL Listed
ADA COMPLIANT	
INCLUDES	



LAMPING SPECIFICATIONS

	LED LAMP	INTEGRATED LED	NON LED	NO LAMP
DELIVERED LUMENS	160.0			
WATTS	2			
MAX WATTAGE PER BULB	25W		25W	
INPUT VOLTAGE	120V		120V	
DIMMING TYPE*	ELV, TRIAC		ELV, TRIAC	
CCT	2700K			
CRI	90 CRI			
LED LIFETIME				
L70	>25000			
AVERAGE BULB HOURS				
FIELD SERVICEABLE LED				
LAMP BASE	E12 Candelabra Base		E12 Candelabra Base	
LAMP SHAPE	T6		T6	
LAMP INCLUDED?	True		False	
WARRANTY**	1 Year		1 Year	

* Dimming information available at www.techlighting.com/Downloads#dimming

** Visit techlighting.com for specific warranty limitations and details.

T20 / T24 / JA8 INFORMATION

	Integrated LED	Replacement LED Lamp	No Lamp *
This product can be used to comply with California Building Energy Efficiency Standards 2016 Title 24 Part 6 / JA8 .		Yes	N/A
This product can be used to comply with California Appliance Efficiency Standards 2016 Title 20 and may be shipped to and sold in California.		Yes	N/A

* If a light fixture or component does not include a lamp or light source, it is the responsibility of the customer to select a lamp that meets the T24 and T20 requirements.

