

# Vetra Wall

700WSVTR

1.0



## GENERAL PRODUCT INFORMATION:

These fixtures are intended to be installed utilizing NEC compliant junction boxes.



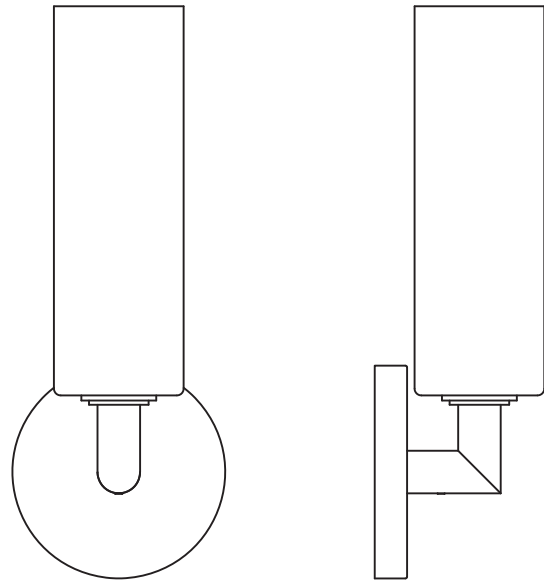
This product is suitable for damp locations.

Incandescent version may be dimmed with a standard incandescent dimmer. LED version may be dimmed with a LED dimmer. Consult lamp manufacturer for additional information.

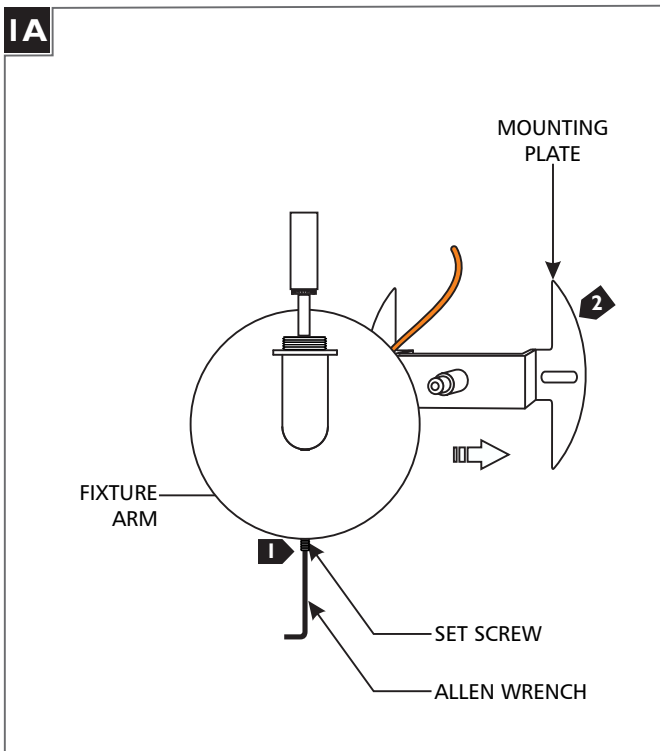
### CAUTION - RISK OF FIRE

This product must be installed in accordance with the applicable installation code by a person familiar with the construction and operation of the product and the hazards involved.

Use minimum 90°C supply conductors.

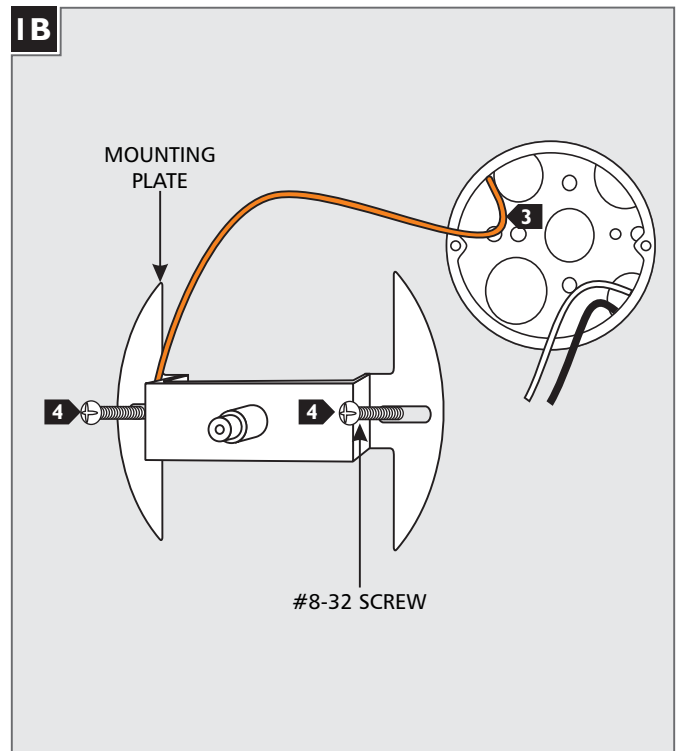


## Install the Mounting Plate



**1** Loosen (**Do Not Remove**) the set screw on bottom of the fixture arm with the provided Allen wrench.

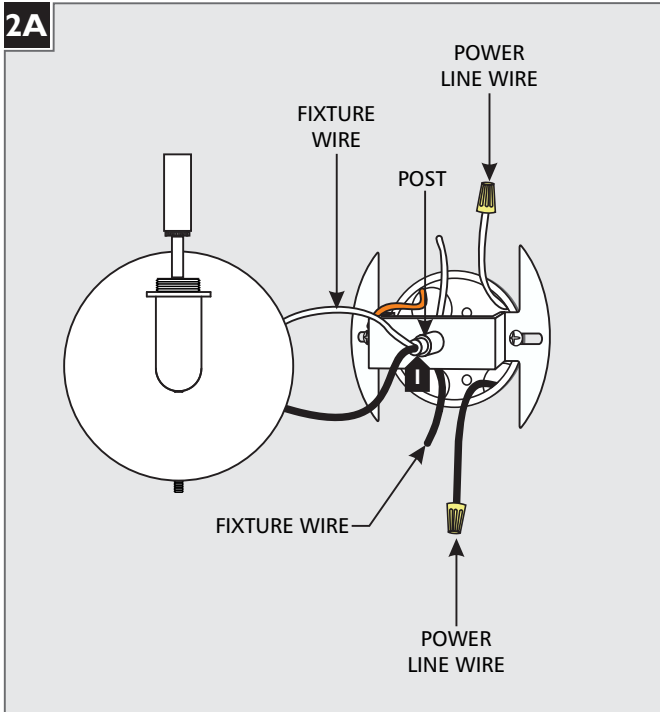
**2** Remove the mounting plate.



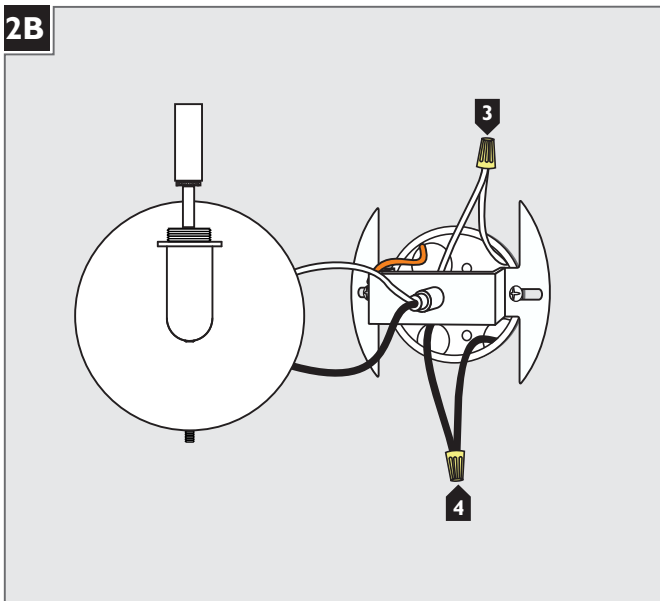
**3** Connect the fixture to a suitable ground in accordance with local electrical codes.

**4** Secure the mounting plate to the electrical box with the two #8-32 screws provided.

## Install the Fixture

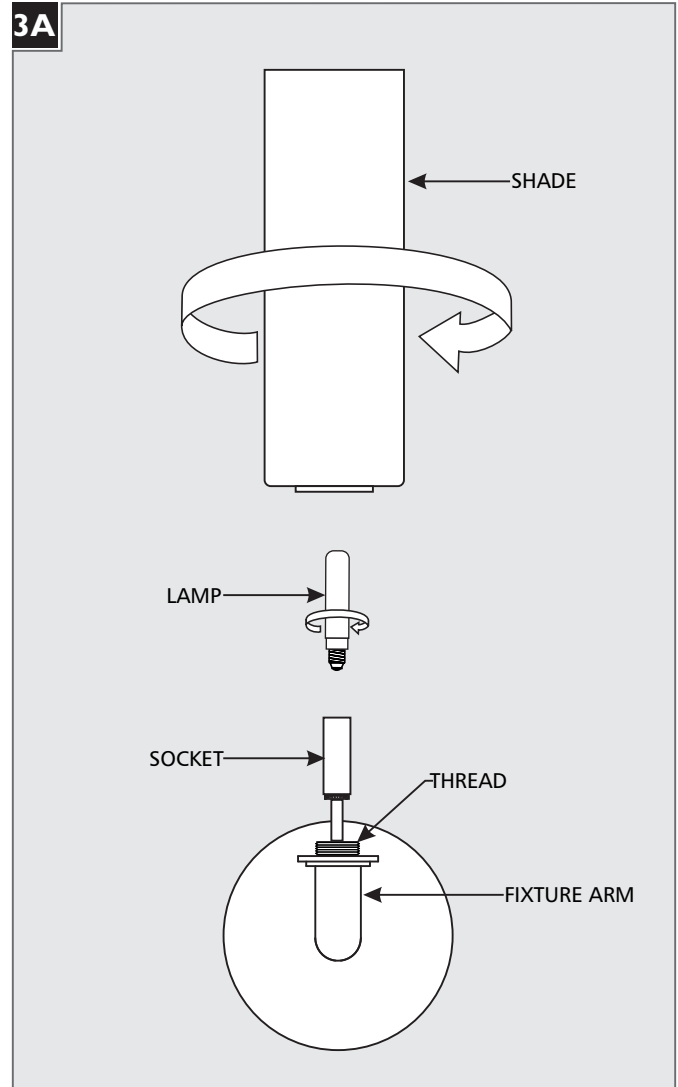


- 1** Feed the fixture wires through the mounting plate post into the electrical box.
- 2** To connect the power, pull the fixture wires and power line wires out of the electrical box.



- 3** Connect the white fixture wire to the neutral power line wire with a wire nut.
- 4** Connect the black fixture wire to the hot power line wire with a wire nut.
- 5** Properly place all wires and wire nut connections into the electrical box.
- 6** Re-install the fixture onto the mounting plate (reversal of figure 1A).

## Install the Shade and Lamp



Refer to fixture marking for lamp information.

- 1** Screw the lamp into the socket.
- 2** Screw the shade onto the threads on the fixture arm. Do not over-tighten.

**SAVE THESE INSTRUCTIONS!**



**TECH LIGHTING®**

7400 Linder Ave, Skokie, IL 60077  
847.410.4400

[www.techlighting.com](http://www.techlighting.com)

© 2018 Tech Lighting, L.L.C. All rights reserved. The "Tech Lighting" graphic is a registered trademark of Tech Lighting, L.L.C. Tech Lighting reserves the right to change specifications for product improvements without notification.

A Generation Brands Company