

Sphere Flush Mount (LED)

700FMSPH

1.0



CEILING COLLECTION

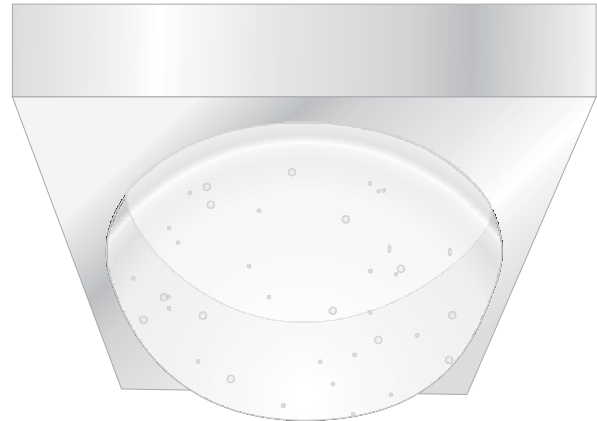
GENERAL PRODUCT INFORMATION:

These fixtures are intended to be installed utilizing NEC compliant junction boxes.

This product is suitable for damp locations.

This product may be dimmed with a low-voltage electronic dimmer.

This instruction shows a typical installation.

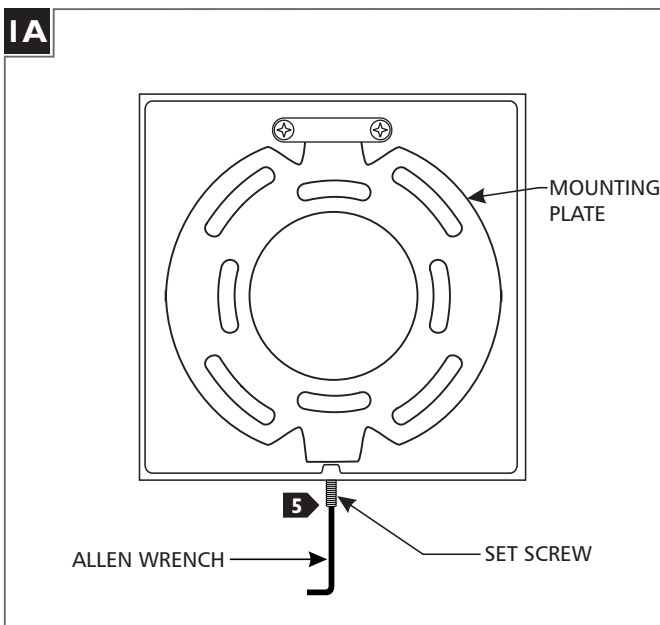


CAUTION - RISK OF FIRE

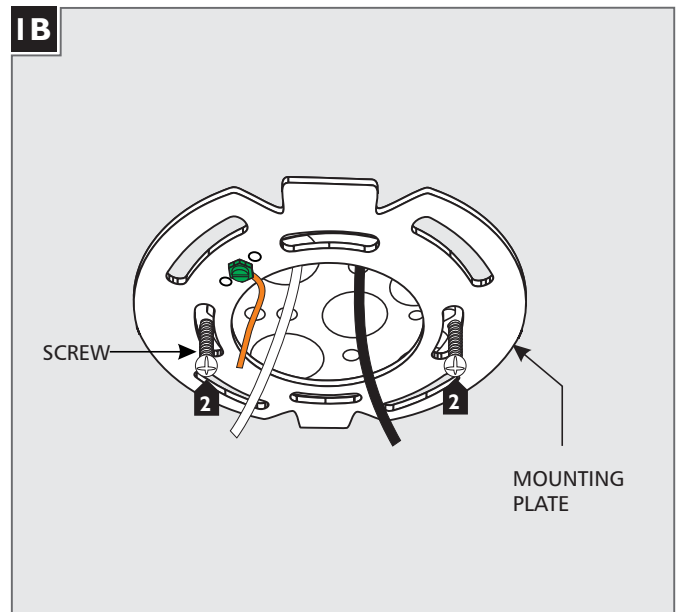
This product must be installed in accordance with the applicable installation code by a person familiar with the construction and operation of the product and the hazards involved.

Use minimum 90°C supply conductors.

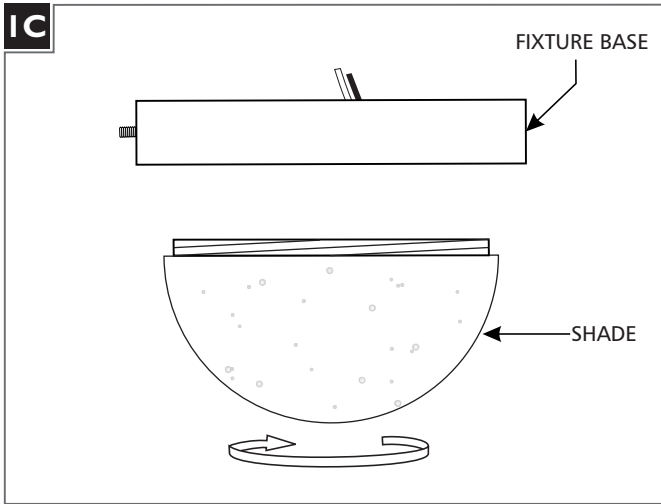
Install the Fixture



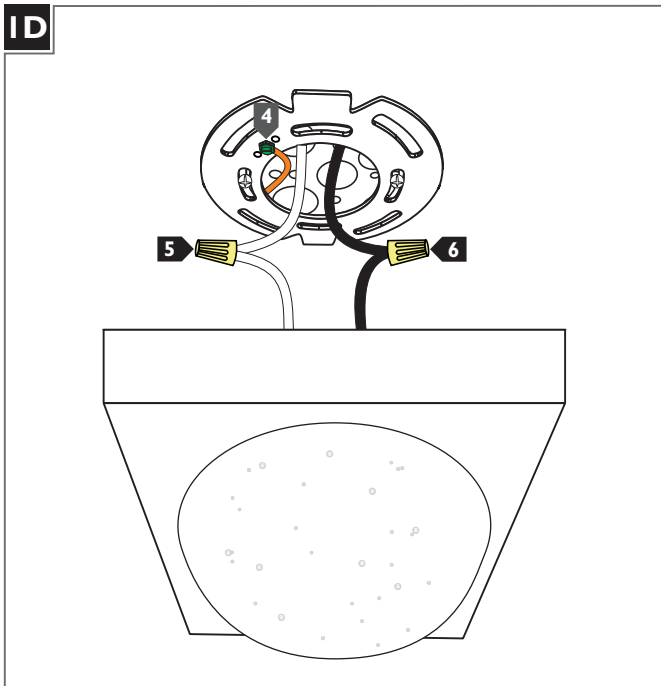
- 1 With the Allen wrench provided, back out (do not fully remove) the set screw at the base of the fixture and remove the mounting plate.



- 2 Attach the mounting plate to the electrical box using the two #8-32 screws provided.



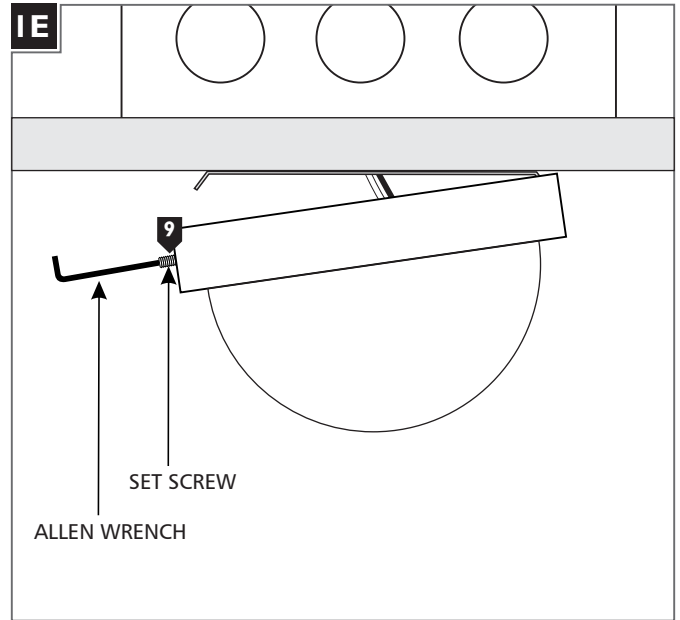
3 Screw the shade securely into the fixture base.



4 Connect the fixture to a suitable ground in accordance with local electrical codes.

5 Connect the white fixture wire to the neutral power line wire with a wire nut.

6 Connect the black fixture wire to the hot power line wire with a wire nut.



7 Properly place all wires and wire nut connections into the electrical box.

8 Hook the fixture to the mounting plate and swing the bottom of the fixture toward the plate until it is flush with the wall.

9 Tighten the set screw at the side of the fixture.

CAUTION: ensure that the fixture is secure to the

SAVE THESE INSTRUCTIONS!



7400 Linder Ave, Skokie, IL 60077
847.410.4400

www.techlighting.com

© 2018 Tech Lighting, L.L.C. All rights reserved. The "Tech Lighting" graphic is a registered trademark of Tech Lighting, L.L.C. Tech Lighting reserves the right to change specifications for product improvements without notification.
A Generation Brands Company