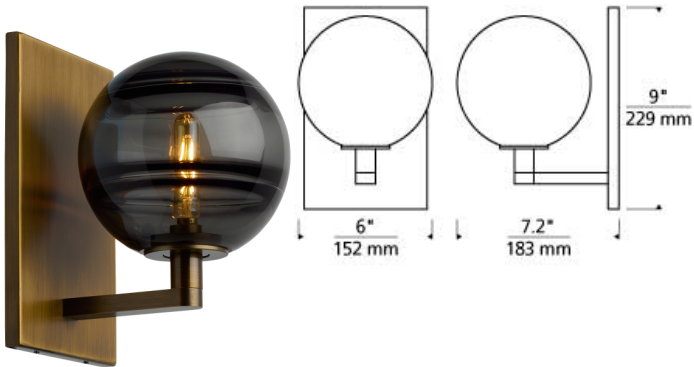


WALL COLLECTION

Sedona Wall

DESCRIPTION

The mild scale of the Sedona wall sconce light from Tech Lighting doesn't even begin to inhibit this LED wall light from making a dramatic statement, particularly when used in conjunction with complementary Sedona pendants or Sedona chandeliers for a unified contemporary lighting scheme. While each transparent clear and transparent smoke glass orb is perfectly spherical and smooth on the exterior surface, the interior surface features gradually thickening bands of glass which are artfully crafted by talented artisans to add a warm alluring visual interest to your space. Two, fully dimmable vintage tubular style LED lamping options are not only energy efficient, but also allow you to customize this LED wall sconce light to your desired ambiance. Rated for (1) 5w max, E12 candelabra base lamps (Not Included). LED version includes (1) 2 watt, 155 delivered lumens, 2700K, E12 base LED vintage tubular lamp. Mounts up or down.



INSTALLATION

This product can mount to either a 4" square electrical box with round plaster ring or an octagonal electrical box (not included).

WEIGHT

4.5-5lb / 2.04-2.27kg ±



clear / aged brass

clear / satin nickel

smoke / aged brass

smoke / satin nickel

ORDERING INFORMATION

700WSSDN COLOR	FINISH	LAMP
C CLEAR	R AGED BRASS	NO LAMP
K TRANSPARENT SMOKE	S SATIN NICKEL	-LED927 T6 LED 90 CRI 2700K 120V



TECH LIGHTING®
 7400 Linder Avenue T 847.410.4400
 Skokie, Illinois 60077 F 847.410.4500

Tech Lighting, L.L.C.

700WS SDN

FIXTURE

TYPE:

JOB NAME:

NOTES:



©2018 Tech Lighting, L.L.C. All Rights Reserved. The "Tech Lighting" graphic is a registered trademark of Tech Lighting, L.L.C. Tech Lighting reserves the right to change specifications for product improvements without notification.